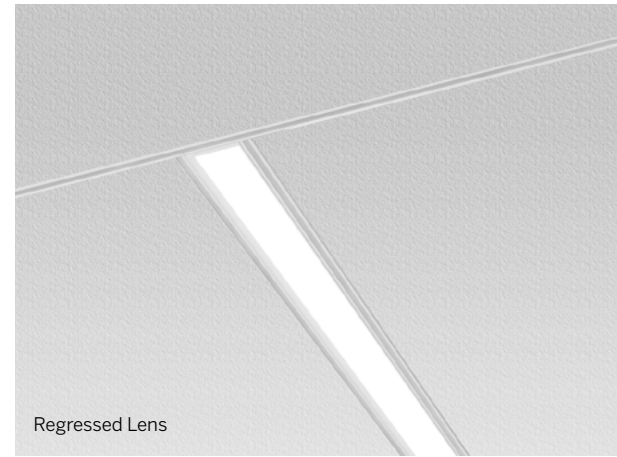


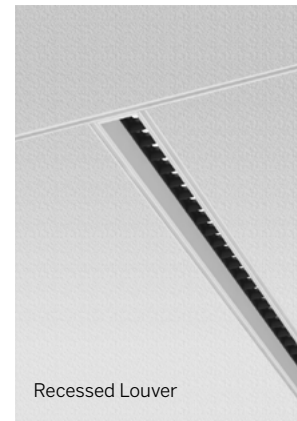
# ProTools 60 Linear Downlight Recessed

- 2.4" aperture, integrated solution that is compatible with all ceiling types
- Standard and tailored run lengths, including corners
- Downlight inserts for spaces up to 30' high
- Control and connectivity options
- Choice of beam spreads to accommodate all applications
- Extreme brightness control and the elimination of disturbing glare
- Modularity of insert modules for ultimate design flexibility
- Consistent LED technology throughout the Whitegoods product range
- Flexible design allows exact wall-to-wall dimensions
- Flicker-free full range dimming with standard driver (Eldoled)
- Manufactured in the USA

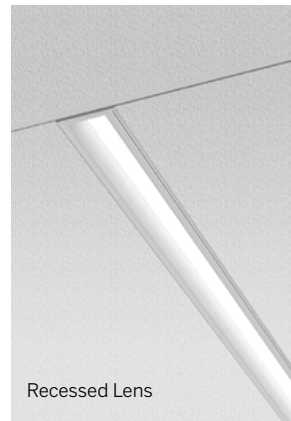
<b>Housing</b>	Precision extruded aluminum for true dimensions and tolerances Toolless component assembly from below Perfect fit with inserts, louvers and lenses Standard and tailored lengths including corner configurations Recessed snap-in cover for non-illuminated section Finishes: white, black, silver and custom
<b>Integration</b>	Fixation into gypsum, hard ceilings and all grid ceiling types
<b>Distribution</b>	30, 35, 50, 80, 105 degree symmetrical downlight
<b>LED</b>	>90 CRI, 3-Step MacAdam, 2700-4000K static white 3W - 15W per foot, 180 nominal lumens per watt average RA 91-94 (2700-4000K) L70 (TM21 Projected 85C) Static White / Tunable White = 72,000 hours Tuneable white 2200-4000K, 80 nominal lumens per watt average
<b>Optic</b>	RML - recessed micro-prismatic lens   diffusion with maximum efficiency ROL - regressed opal acrylic lens   evenly illuminated line of light RLW/RLB - recessed louver white (W) or black (B)   extreme cutoff RNO - recessed narrow optic   narrow beam with maximum punch
<b>Reflector</b>	White: high efficiency (standard with RLW) Black: no brightness (standard with RLB) Silver: low brightness All 15% gloss Custom finish available
<b>Driver</b>	Compatible with quality constant current drivers
<b>Connectivity</b>	POE Wireless
<b>Weight</b>	4lbs per foot
<b>Operating Temp</b>	Suitable for operation in maximum ambient temperature of 35C (95F)
<b>Warranty</b>	5-year Limited (see complete company warranty information)
<b>Certifications</b>	ETL and ETL-C for dry and damp location, CE, Chicago plenum
<b>Voltages</b>	120-277VAC



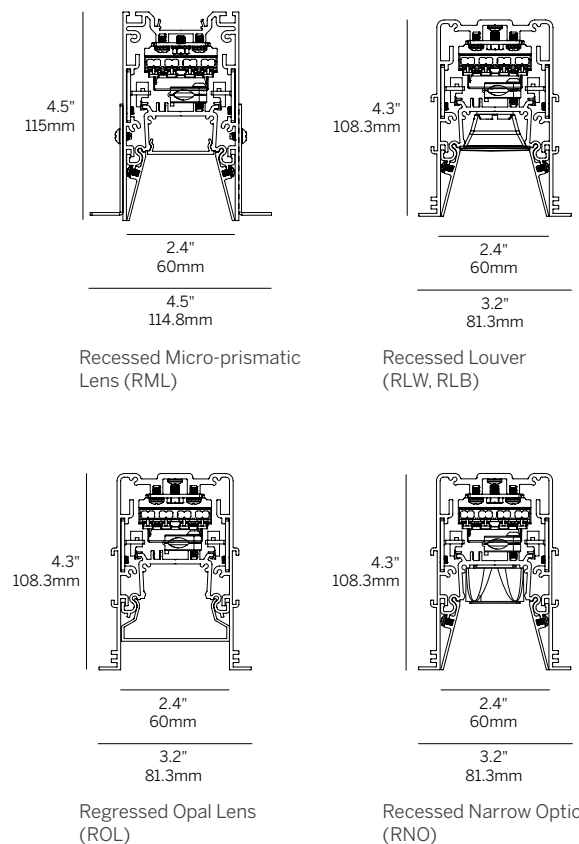
Regressed Lens



Recessed Louver



Recessed Lens



# ProTools 60 Linear Downlight Recessed

Model	Fixation	Pattern	Length <sup>2</sup>	CRI/CCT	Optic <sup>3</sup>	Beam	Power <sup>5</sup>	Driver <sup>6</sup>	Housing Finish <sup>7</sup>	Reflector Finish <sup>7</sup>	Options
WG-60PTL	RPT	S	24	927	RML	80	P1	E1	W (std)	W	CP
	RBT	P <sup>1</sup>	48	930	ROL	105	P2	L1	B	B	EM
	RGT9	PPI <sup>1</sup>	96	935	ROL	105	P3	POE	S	S	NYC
	RGT15	PPO <sup>1</sup>	XX <sup>3</sup>	940	RLW	35	P4	BT	F	S	TF
	RGTS	PZ <sup>1</sup>		TW <sup>4</sup>	RLB	50		DALI		F	WC
					RNO	30		TQ			

## Model

- WG-60PTL = ProTools 60 Linear Downlight

## Fixation

- RPT = Recessed plaster trim
- RBT = Recessed trim for hard ceiling
- RGT9 = Recessed trim for 9/16" grid
- RGT15 = Recessed trim for 15/16" grid
- RGTS = Recessed trim for slot grid

## Pattern

- S = Straight run
- P = Standard patterns 2, 3 or 4 sided with 90° corners on the same plane<sup>1</sup>
- PPI = Pattern, Plane to Plane, Inside. 2-3-4 sided pattern with inside corners<sup>1</sup>
- PPO = Pattern, Plane to Plane, Outside. 2-3-4 sided pattern with outside corners<sup>1</sup>
- PZ = Non-standard patterns and/or corners other than 90° on multiple planes, consult factory<sup>1</sup>

## Length<sup>2</sup>

- 24 = 24"
- 48 = 48"
- 96 = 96"
- XX = Specify inches to the nearest 0.25"<sup>3</sup>

## CRI/CCT (90+ CRI)

- 927 = 2700K
- 930 = 3000K
- 935 = 3500K
- 940 = 4000K
- TW = Tuneable white 2200-4000K<sup>4</sup>

## Optic<sup>3</sup>

- RML = Recessed micro-prismatic lens
- ROL = Regressed opal lens
- RLW = Recessed louver white (supplied with white reflectors standard)
- RLB = Recessed louver black (supplied with black reflectors only)
- RNO = Recessed narrow optic

## Beam

- 80 = 80° (RML)
- 105 = 105° (ROL)
- 35 = 35° (RLW, RLB)
- 50 = 50° (RLW, RLB)
- 30 = 30° (RNO)

## Power<sup>5</sup>

- P1 = 3W/ft
- P2 = 6W/ft
- P3 = 10W/ft
- P4 = 15W/ft

## Driver<sup>6</sup>

- E1 = EldoLED 0.1% dimming, 0-10V (120-277V)
- L1 = Lutron 1% dimming, Ecosystem (120-277V)
- PoE = Power over Ethernet
- BT = Wireless CAS – Casambi (Must specify BT with E1 or DALI)
- DALI = EldoLED Dali DT8 0.1% (120-277V)
- TQ = T-Series for Lutron Quantum 0.1% (120-277V) (Tunable white ONLY)

## Housing / Trim Finish<sup>7</sup>

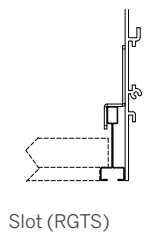
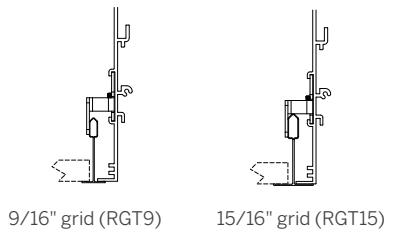
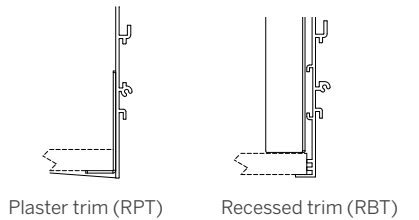
- W = White, 15% gloss, RAL 9003 / Tiger Drylac 049/11350 (standard)
- B = Black, 15% gloss, RAL 9005 / Tiger Drylac 044/90053
- S = Silver, 15% gloss, RAL 9006 / Tiger Drylac 049/90500
- F = Custom finished trim, specify RAL

## Reflector Finish<sup>7</sup>

- W = White, 15% gloss, RAL 9003 / Tiger Drylac 049/11350 (standard with RLW)
- B = Black, 15% gloss, RAL 9005 / Tiger Drylac 044/90053 (standard with RLB)
- S = Silver, 15% gloss, RAL 9006 / Tiger Drylac 049/90500
- F = Custom finished trim, specify RAL

## Options

- CP = Chicago Plenum Rated
- EM = Emergency (remote)
- NYC = 6' whip per run
- TF = Top feed
- WC = Wood Ceiling (trimless - accessible ceilings only)



Whitegoods reserves the right to change any information without prior notice.

## Notes

- 1 See pattern spec sheet.
- 2 Individual fixture lengths less than 2' may require remote driver.
- 3 Specify Lensed products to nearest 0.25". Specify Louvered and Tuneable White products in 6" increments for continuous light. Louver supplied in 6" increments, balance of the run will have recessed blank covers on ends.
- 4 TW only available with RML/ROL for P2 and P3.
- 5 Refer to specsheet for delivered lumen data for all product configurations.
- 6 See power supply page for details.
- 7 See Tiger Drylac color chart: [inter-lux.com/tiger](http://inter-lux.com/tiger)