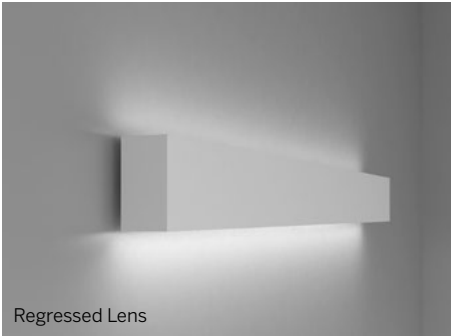


ProTools 60 Linear Direct/Indirect

Wall / Mullion Mount



Ordering Information					Direct			Indirect					
Model ¹	Fixation	Pattern	Length ³	CRI/CCT	Optic ⁴	Beam	Power ⁵	Optic	Power ⁵	Driver ⁷	Housing Finish ⁸	Reflector Finish ⁸	Options
WG-60PTLDI													
WG-60PTLDI	SW SWM	S PI ² PO ²	24 48 96 XX ⁴	927 930 935 940 TW ⁵	RML ROL RLW RLB REO	80 105 35 50 20x40	P1 P2 P3 P4	A W	P1 P2	E1 L1 POE BT DALI TQ	W (std) B S F	W B S F	DC EM EW

Luminaire¹

- 2.4" aperture, wall mount bi-directional luminaire.
- Specialized mounting bracket to mount directly to 2.5" window mullion.
- Standard and tailored run lengths, including corners.
- Separately controllable up and down lighting with distribution options.
- Choice of beam spreads to accommodate all applications.
- Extreme brightness control and the elimination of disturbing glare.
- Modularity of insert modules for ultimate design flexibility.
- Consistent LED technology throughout the Whitegoods product range.
- Flicker-free full range dimming with standard driver (Eldoled).
- L70 (TM21 Projected 85C) 72,000 hours.
- ETL and ETL-C for dry and damp location.

Fixation

- SM = Surface Wall Mount
- SWM = Surface Wall Mullion Mount

Pattern

- S = Straight run
- PI = Standard patterns 2, 3 or 4 sided with 90° inside corners on the same plane²
- PO = Standard patterns 2, 3 or 4 sided with 90° outside corners on the same plane²

Length³

- 24 = 24"
- 48 = 48"
- 96 = 96"
- XX = Specify inches to the nearest 0.25"⁴

CRI/CCT (90+ CRI)

- 927 = 2700K
- 930 = 3000K
- 935 = 3500K
- 940 = 4000K
- TW = Tuneable white 2200-4000K⁴

Optic Direct⁴

- RML = Recessed micro-prismatic lens
- ROL = Recessed opal lens
- RLW = Recessed louver white (supplied with white reflectors standard)
- RLB = Recessed louver black (supplied with black reflectors only)
- REO = Recessed elliptical optic

Optic Indirect

- A = Asymmetric (standard)
- W = Wide (batwing)

Beam

- 80 = 80° (RML)
- 105 = 105° (ROL)
- 35 = 35° (RLW, RLB)
- 50 = 50° (RLW, RLB)
- 20x40 = 20x40° (REO)

Power Direct⁵

- P1 = 3W/ft
- P2 = 6W/ft
- P3 = 10W/ft
- P4 = 15W/ft

Power Indirect Lens (W/A)⁶

- P1 = 3W/ft
- P2 = 6W/ft

Driver⁷

- E1 = EldoLED 0.1% dimming, 0-10V (120-277V)
- L1 = Lutron 1% dimming, Ecosystem (120-277V)
- PoE = Power over Ethernet
- BT = Wireless CAS – Casambi (Must specify BT with E1 or DALI)
- DALI = EldoLED Dali DT8 0.1% (120-277V)
- TQ = T-Series for Lutron Quantum 0.1% (120-277V) (Tunable white ONLY)

Housing Finish⁸

- W = White, 15% gloss, RAL 9003 / Tiger Drylac 049/11350 (standard)
- B = Black, 15% gloss, RAL 9005 / Tiger Drylac 044/90053
- S = Silver, 15% gloss, RAL 9006 / Tiger Drylac 049/90500
- F = Custom finished trim, specify RAL

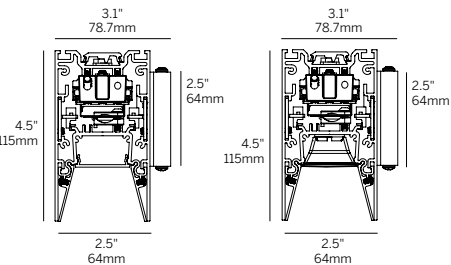
Reflector Finish⁸

- W = White, 15% gloss, RAL 9003 / Tiger Drylac 049/11350 (standard with RLW)
- B = Black, 15% gloss, RAL 9005 / Tiger Drylac 044/90053 (standard with RLB)
- S = Silver, 15% gloss, RAL 9006 / Tiger Drylac 049/90500
- F = Custom finished trim, specify RAL

Options

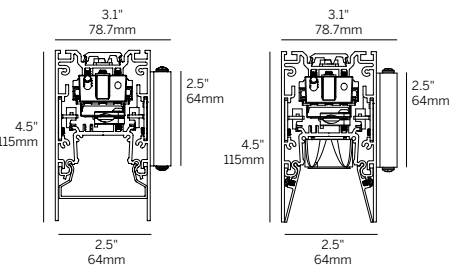
- DC = Dual circuit
- EM = Emergency (remote)
- EW = End wall bracket

- To specify Indirect only, leave direct (optic, beam, power) codes blank.
- See pattern spec sheet.
- Individual fixture lengths less than 2' may require remote driver.
- Specify Lensed products to nearest 0.25". Specify Louvered and Tuneable White products in 6" increments for continuous light. Louver supplied in 6" increments, balance of the run will have recessed blank covers on ends.
- TW only available with RML/ROL for P2 and P3.
- See photometric data sheet for delivered lumens.
- See power supply page for details.
- See Tiger Drylac color chart: inter-lux.com/tiger



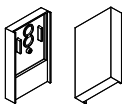
Recessed Micro-prismatic Lens (RML)

Recessed Louver (RLW, RLB)



Regressed Opal Lens (ROL)

Recessed Elliptical Optic (REO)



End Caps (2 included per run)

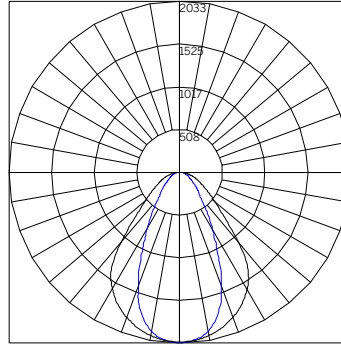
ProTools 60 Linear Direct/Indirect

Wall / Mullion Mount - Direct Only

WG-60PTLDI-...-RML-80-...-W-W

Delivered Lumens Per Foot

CCT	Power			
	P1 [3 W/ft]	P2 [6 W/ft]	P3 [10 W/ft]	P4 [15 W/ft]
927	316	593	912	1343
930	329	617	950	1399
935	340	640	984	1465
940	349	657	1010	1504
Power Multiplier				
	P1 [3 W/ft]	P2 [6 W/ft]	P3 [10 W/ft]	P4 [15 W/ft]
	0.24	0.44	0.68	1.00
CCT Multiplier				
	927	930	935	940
	0.96	1.00	1.04	1.06



BEAM ANGLE (0-180) = 51.7
BEAM ANGLE (90-270) = 81.8

ILLUMINANCE - 24" RML-80 P4 3000K

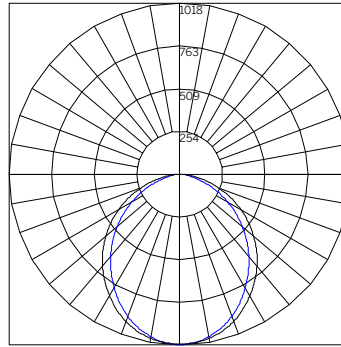
WG-60PTLDI-...-S-24-930-RML-80-P4-...-W-W¹

Mounting Height [ft]	Illuminance [fc at nadir]	Beam Width [ft]
3	226	2.9
6	56	5.8
9	25	8.7
12	14	11.6
15	9	14.5
18	6	17.4
21	5	20.3
24	4	23.2
27	3	26.1
30	2	29.0

WG-60PTLDI-...-ROL-105-...-W-W

Delivered Lumens Per Foot

CCT	Power			
	P1 [3 W/ft]	P2 [6 W/ft]	P3 [10 W/ft]	P4 [15 W/ft]
927	289	543	834	1229
930	301	565	869	1280
935	312	585	900	1340
940	320	601	925	1377
Power Multiplier				
	P1 [3 W/ft]	P2 [6 W/ft]	P3 [10 W/ft]	P4 [15 W/ft]
	0.24	0.44	0.68	1.00
CCT Multiplier				
	927	930	935	940
	0.96	1.00	1.04	1.06



BEAM ANGLE (0-180) = 97.2
BEAM ANGLE (90-270) = 109

ILLUMINANCE - 24" ROL-105 P4 3000K

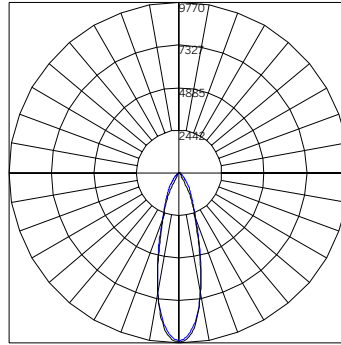
WG-60PTLDI-...-S-24-930-ROL-105-P4-...-W-W¹

Mounting Height [ft]	Illuminance [fc at nadir]	Beam Width [ft]
3	113	6.8
6	28	13.6
9	13	20.4
12	7	27.2
15	5	34.0
18	3	40.8
21	2	47.6
24	2	54.4
27	1	61.3
30	1	68.1

WG-60PTLDI-...-RLW-35-...-W-W

Delivered Lumens Per Foot

CCT	Power			
	P1 [3 W/ft]	P2 [6 W/ft]	P3 [10 W/ft]	P4 [15 W/ft]
927	434	804	1212	1738
930	448	828	1250	1792
935	462	854	1288	1846
940	476	879	1326	1900
Power Multiplier				
	P1 [3 W/ft]	P2 [6 W/ft]	P3 [10 W/ft]	P4 [15 W/ft]
	0.25	0.46	0.70	1.00
CCT Multiplier				
	927	930	935	940
	0.97	1.00	1.03	1.06



BEAM ANGLE (0-180) = 28.8
BEAM ANGLE (90-270) = 28.2

ILLUMINANCE - 24" RLW-35 P4 3000K

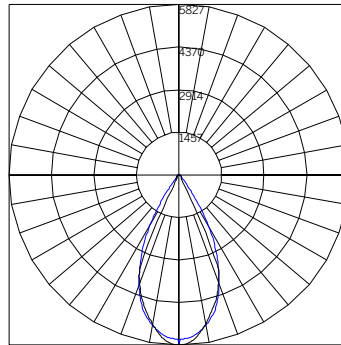
WG-60PTLDI-...-S-24-930-RLW-35-P4-...-W-W¹

Mounting Height [ft]	Illuminance [fc at nadir]	Beam Width [ft]
3	1086	1.5
6	271	3.1
9	121	4.6
12	68	6.2
15	43	7.7
18	30	9.2
21	22	10.8
24	17	12.3
27	13	13.9
30	11	15.4

WG-60PTLDI-...-RLW-50-...-W-W

Delivered Lumens Per Foot

CCT	Power			
	P1 [3 W/ft]	P2 [6 W/ft]	P3 [10 W/ft]	P4 [15 W/ft]
927	443	820	1237	1773
930	457	845	1276	1828
935	471	872	1314	1883
940	485	897	1353	1939
Power Multiplier				
	P1 [3 W/ft]	P2 [6 W/ft]	P3 [10 W/ft]	P4 [15 W/ft]
	0.25	0.46	0.70	1.00
CCT Multiplier				
	927	930	935	940
	0.97	1.00	1.03	1.06



BEAM ANGLE (0-180) = 51.7
BEAM ANGLE (90-270) = 47.3

ILLUMINANCE - 24" RLW-50 P4 3000K

WG-60PTLDI-...-S-24-930-RLW-50-P4-...-W-W¹

Mounting Height [ft]	Illuminance [fc at nadir]	Beam Width [ft]
3	647	2.9
6	162	5.8
9	72	8.7
12	40	11.6
15	26	14.5
18	18	17.4
21	13	20.3
24	10	23.2
27	8	26.2
30	6	29.1

1 Polar Plot and Cone of Light are applicable to part number noted; use Multiplication Factor table to approximate other models or refer to online photometry. All lumen data shown is for Direct portion only; refer to Indirect photometric page for possible Direct configurations.

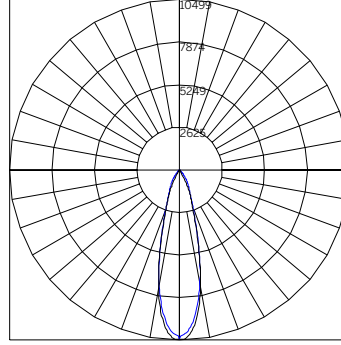
ProTools 60 Linear Direct/Indirect

Wall / Mullion Mount - Direct Only

WG-60PTLDI-...-RLB-35-...-W-B

Delivered Lumens Per Foot

		Power			
		P1 [3 W/ft]	P2 [6 W/ft]	P3 [10 W/ft]	P4 [15 W/ft]
CCT	927	371	686	1034	1483
	930	382	707	1067	1529
	935	394	729	1099	1575
	940	406	750	1131	1621
		Power Multiplier			
		P1 [3 W/ft]	P2 [6 W/ft]	P3 [10 W/ft]	P4 [15 W/ft]
		0.25	0.46	0.70	1.00
		CCT Multiplier			
		927	930	935	940
		0.97	1.00	1.03	1.06



BEAM ANGLE (0-180) = 26.9
BEAM ANGLE (90-270) = 26.9

ILLUMINANCE - 24" RLB-35 P4 3000K

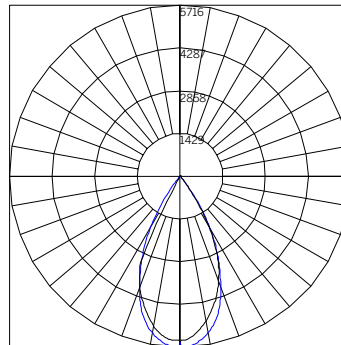
WG-60PTLDI-...-S-24-930-RLB-35-P4-...-W-B¹

Mounting Height [ft]	Illuminance [fc at nadir]	Beam Width [ft]
3	1167	1.4
6	292	2.9
9	130	4.3
12	73	5.7
15	47	7.2
18	32	8.6
21	24	10.0
24	18	11.5
27	14	12.9
30	12	14.3

WG-60PTLDI-...-RLB-50-...-W-B

Delivered Lumens Per Foot

		Power			
		P1 [3 W/ft]	P2 [6 W/ft]	P3 [10 W/ft]	P4 [15 W/ft]
CCT	927	442	818	1234	1769
	930	456	843	1273	1824
	935	470	870	1311	1879
	940	484	895	1349	1934
		Power Multiplier			
		P1 [3 W/ft]	P2 [6 W/ft]	P3 [10 W/ft]	P4 [15 W/ft]
		0.25	0.46	0.70	1.00
		CCT Multiplier			
		927	930	935	940
		0.97	1.00	1.03	1.06



BEAM ANGLE (0-180) = 51.6
BEAM ANGLE (90-270) = 51.7

ILLUMINANCE - 24" RLB-50 P4 3000K

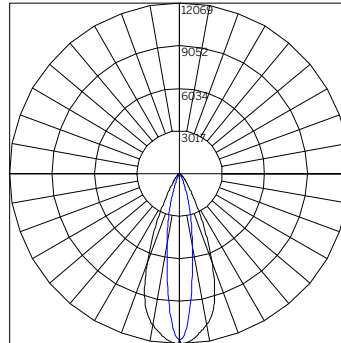
WG-60PTLDI-...-S-24-930-RLB-50-P4-...-W-B¹

Mounting Height [ft]	Illuminance [fc at nadir]	Beam Width [ft]
3	635	2.9
6	159	5.8
9	71	8.7
12	40	11.6
15	25	14.5
18	18	17.4
21	13	20.3
24	10	23.2
27	8	26.1
30	6	29.0

WG-60PTLDI-...-REO-20x40-...-W-W

Delivered Lumens Per Foot

		Power			
		P1 [3 W/ft]	P2 [6 W/ft]	P3 [10 W/ft]	P4 [15 W/ft]
CCT	927	408	755	1139	1632
	930	421	778	1174	1683
	935	434	802	1209	1734
	940	447	826	1245	1784
		Power Multiplier			
		P1 [3 W/ft]	P2 [6 W/ft]	P3 [10 W/ft]	P4 [15 W/ft]
		0.25	0.46	0.70	1.00
		CCT Multiplier			
		927	930	935	940
		0.97	1.00	1.03	1.06



BEAM ANGLE (0-180) = 17.8
BEAM ANGLE (90-270) = 42.2

ILLUMINANCE - 24" REO-20x40 P4 3000K

WG-60PTLDI-...-S-24-930-REO-20x40-P4-...-W-W¹

Mounting Height [ft]	Illuminance [fc at nadir]	Beam Width [ft]
3	1341	0.9
6	335	1.9
9	149	2.8
12	84	3.7
15	54	4.7
18	37	5.6
21	27	6.6
24	21	7.5
27	17	8.4
30	13	9.4

¹ Polar Plot and Cone of Light are applicable to part number noted; use Multiplication Factor table to approximate other models or refer to online photometry. All lumen data shown is for Direct portion only; refer to Indirect photometric page for possible Direct configurations.

ProTools 60 Linear Direct/Indirect Wall / Mullion Mount - Direct Only

WG-60PTLDI-....TW-RML-80-...

Delivered Lumens Per Foot

		Power	
		P2 [6 W/ft]	P3 [10 W/ft]
CCT	2200	299	442
	4000	307	466

WG-60PTLDI-....TW-ROL-105-...

Delivered Lumens Per Foot

		Power	
		P2 [6 W/ft]	P3 [10 W/ft]
CCT	2200	274	405
	4000	281	426

PROTOOLS 60 LINEAR UGR + FIXTURE EFFICIENCY

		UGR ¹			
		P1 [3W/ft]	P2 [6W/ft]	P3 [10W/ft]	P4 [15W/ft]
OPTIC - BEAM	RML-80	20.6	22.7	24.2	25.6
	ROL-105	23.9	26.1	27.6	29.0
	RLW-35	14.6	16.8	18.2	19.6
	RLW-50	13.6	15.8	17.3	18.6
	RLB-35	0.7	2.8	4.3	5.7
	RLB-50	12.9	15.1	16.6	21.7
	RNO-30	8.3	10.4	11.9	13.2

¹ UGR value noted is the maximum UGR (crosswise) with 930 LEDs at noted Power level.