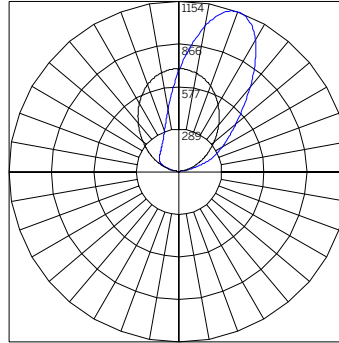


ProTools 60 Linear Direct/Indirect

Wall / Mullion Mount - Indirect Only

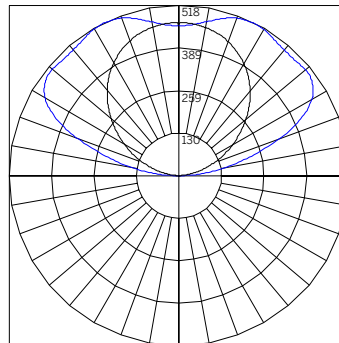
WG-60PTLDI-...-A-...-W Delivered Lumens Per Foot				
Power				
	P1 [3 W/ft]	P2 [6 W/ft]	P3 [10 W/ft]	P4 [15 W/ft]
CCT				
927	478	899	-	-
930	498	936	-	-
935	516	969	-	-
940	529	995	-	-
Power Multiplier				
	P1 [3 W/ft]	P2 [6 W/ft]	P3 [10 W/ft]	P4 [15 W/ft]
	0.53	1.00	-	-
CCT Multiplier				
	927	930	935	940
	0.96	1.00	1.04	1.06



BEAM ANGLE (0-180) = 85.9
BEAM ANGLE (90-270) = 86

ILLUMINANCE - 24" ASYMMETRIC P2 3000K WG-60PTLDI-...-24-930-...-A-P2-...-W-W ¹		
Ceiling Offset [ft]	Illuminance [fc at nadir]	Beam Width [ft]
3	128	5.6
6	32	11.2
9	14	16.8
12	8	22.4
15	5	27.9
18	4	33.5
21	3	39.1
24	2	44.7
27	2	50.3
30	1	55.9

WG-60PTLDI-...-W-...-W Delivered Lumens Per Foot				
Power				
	P1 [3 W/ft]	P2 [6 W/ft]	P3 [10 W/ft]	P4 [15 W/ft]
CCT				
927	470	883	-	-
930	490	920	-	-
935	507	953	-	-
940	520	978	-	-
Power Multiplier				
	P1 [3 W/ft]	P2 [6 W/ft]	P3 [10 W/ft]	P4 [15 W/ft]
	0.53	1.00	-	-
CCT Multiplier				
	927	930	935	940
	0.96	1.00	1.04	1.06



BEAM ANGLE (0-180) = 145.1
BEAM ANGLE (90-270) = 107.2

ILLUMINANCE - 24" WIDE P2 3000K WG-60PTLDI-...-24-930-...-W-P2-...-W-W ¹		
Ceiling Offset [ft]	Illuminance [fc at nadir]	Beam Width [ft]
3	58	19.1
6	14	38.2
9	6	57.3
12	4	76.4
15	2	95.5
18	2	114.6
21	1	133.7
24	1	152.8
27	1	171.9
30	1	191.0

¹ Polar Plot and Cone of Light are applicable to part number noted; use Multiplication Factor table to approximate other models or refer to online photometry. All lumen data shown is for Indirect portion only; refer to Direct photometric page for possible Indirect configurations.

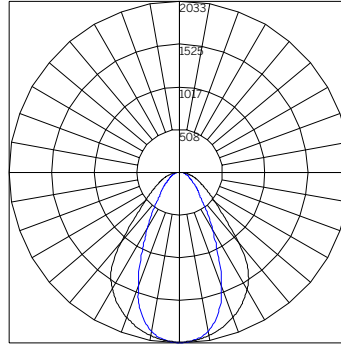
ProTools 60 Linear Direct/Indirect

Wall / Mullion Mount - Direct Only

WG-60PTLDI-...-RML-80-...-W-W

Delivered Lumens Per Foot

CCT	Power			
	P1 [3 W/ft]	P2 [6 W/ft]	P3 [10 W/ft]	P4 [15 W/ft]
927	316	593	912	1343
930	329	617	950	1399
935	340	640	984	1465
940	349	657	1010	1504
Power Multiplier				
	P1 [3 W/ft]	P2 [6 W/ft]	P3 [10 W/ft]	P4 [15 W/ft]
	0.24	0.44	0.68	1.00
CCT Multiplier				
	927	930	935	940
	0.96	1.00	1.04	1.06



BEAM ANGLE (0-180) = 51.7
BEAM ANGLE (90-270) = 81.8

ILLUMINANCE - 24" RML-80 P4 3000K

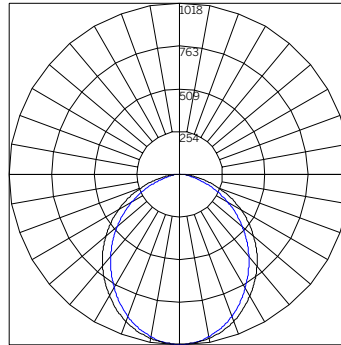
WG-60PTLDI-...-S-24-930-RML-80-P4-...-W-W¹

Mounting Height [ft]	Illuminance [fc at nadir]	Beam Width [ft]
3	226	2.9
6	56	5.8
9	25	8.7
12	14	11.6
15	9	14.5
18	6	17.4
21	5	20.3
24	4	23.2
27	3	26.1
30	2	29.0

WG-60PTLDI-...-ROL-105-...-W-W

Delivered Lumens Per Foot

CCT	Power			
	P1 [3 W/ft]	P2 [6 W/ft]	P3 [10 W/ft]	P4 [15 W/ft]
927	289	543	834	1229
930	301	565	869	1280
935	312	585	900	1340
940	320	601	925	1377
Power Multiplier				
	P1 [3 W/ft]	P2 [6 W/ft]	P3 [10 W/ft]	P4 [15 W/ft]
	0.24	0.44	0.68	1.00
CCT Multiplier				
	927	930	935	940
	0.96	1.00	1.04	1.06



BEAM ANGLE (0-180) = 97.2
BEAM ANGLE (90-270) = 109

ILLUMINANCE - 24" ROL-105 P4 3000K

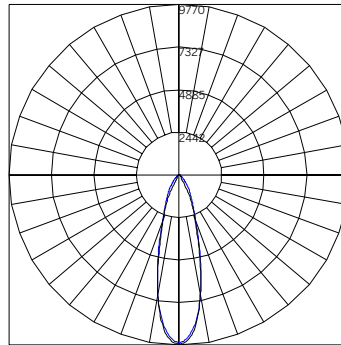
WG-60PTLDI-...-S-24-930-ROL-105-P4-...-W-W¹

Mounting Height [ft]	Illuminance [fc at nadir]	Beam Width [ft]
3	113	6.8
6	28	13.6
9	13	20.4
12	7	27.2
15	5	34.0
18	3	40.8
21	2	47.6
24	2	54.4
27	1	61.3
30	1	68.1

WG-60PTLDI-...-RLW-35-...-W-W

Delivered Lumens Per Foot

CCT	Power			
	P1 [3 W/ft]	P2 [6 W/ft]	P3 [10 W/ft]	P4 [15 W/ft]
927	434	804	1212	1738
930	448	828	1250	1792
935	462	854	1288	1846
940	476	879	1326	1900
Power Multiplier				
	P1 [3 W/ft]	P2 [6 W/ft]	P3 [10 W/ft]	P4 [15 W/ft]
	0.25	0.46	0.70	1.00
CCT Multiplier				
	927	930	935	940
	0.97	1.00	1.03	1.06



BEAM ANGLE (0-180) = 28.8
BEAM ANGLE (90-270) = 28.2

ILLUMINANCE - 24" RLW-35 P4 3000K

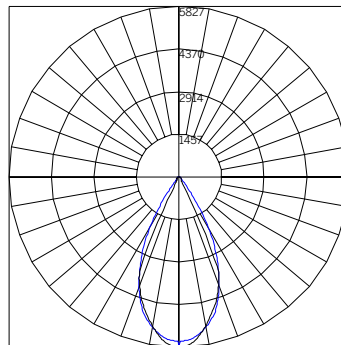
WG-60PTLDI-...-S-24-930-RLW-35-P4-...-W-W¹

Mounting Height [ft]	Illuminance [fc at nadir]	Beam Width [ft]
3	1086	1.5
6	271	3.1
9	121	4.6
12	68	6.2
15	43	7.7
18	30	9.2
21	22	10.8
24	17	12.3
27	13	13.9
30	11	15.4

WG-60PTLDI-...-RLW-50-...-W-W

Delivered Lumens Per Foot

CCT	Power			
	P1 [3 W/ft]	P2 [6 W/ft]	P3 [10 W/ft]	P4 [15 W/ft]
927	443	820	1237	1773
930	457	845	1276	1828
935	471	872	1314	1883
940	485	897	1353	1939
Power Multiplier				
	P1 [3 W/ft]	P2 [6 W/ft]	P3 [10 W/ft]	P4 [15 W/ft]
	0.25	0.46	0.70	1.00
CCT Multiplier				
	927	930	935	940
	0.97	1.00	1.03	1.06



BEAM ANGLE (0-180) = 51.7
BEAM ANGLE (90-270) = 47.3

ILLUMINANCE - 24" RLW-50 P4 3000K

WG-60PTLDI-...-S-24-930-RLW-50-P4-...-W-W¹

Mounting Height [ft]	Illuminance [fc at nadir]	Beam Width [ft]
3	647	2.9
6	162	5.8
9	72	8.7
12	40	11.6
15	26	14.5
18	18	17.4
21	13	20.3
24	10	23.2
27	8	26.2
30	6	29.1

1 Polar Plot and Cone of Light are applicable to part number noted; use Multiplication Factor table to approximate other models or refer to online photometry. All lumen data shown is for Direct portion only; refer to Indirect photometric page for possible Direct configurations.

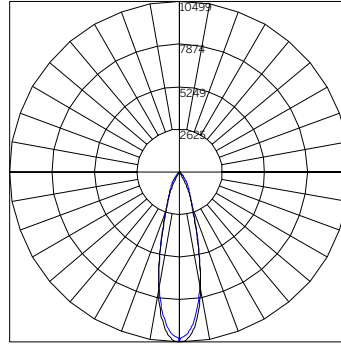
ProTools 60 Linear Direct/Indirect

Wall / Mullion Mount - Direct Only

WG-60PTLDI-...-RLB-35-...-W-B

Delivered Lumens Per Foot

		Power			
		P1 [3 W/ft]	P2 [6 W/ft]	P3 [10 W/ft]	P4 [15 W/ft]
CCT	927	371	686	1034	1483
	930	382	707	1067	1529
	935	394	729	1099	1575
	940	406	750	1131	1621
		Power Multiplier			
		P1 [3 W/ft]	P2 [6 W/ft]	P3 [10 W/ft]	P4 [15 W/ft]
		0.25	0.46	0.70	1.00
		CCT Multiplier			
		927	930	935	940
		0.97	1.00	1.03	1.06



BEAM ANGLE (0-180) = 26.9
BEAM ANGLE (90-270) = 26.9

ILLUMINANCE - 24" RLB-35 P4 3000K

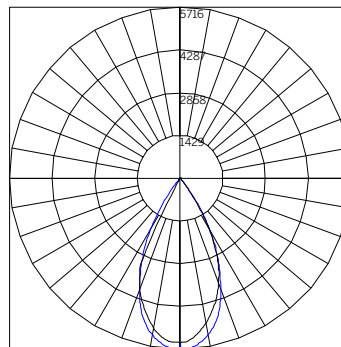
WG-60PTLDI-...-S-24-930-RLB-35-P4-...-W-B¹

Mounting Height [ft]	Illuminance [fc at nadir]	Beam Width [ft]
3	1167	1.4
6	292	2.9
9	130	4.3
12	73	5.7
15	47	7.2
18	32	8.6
21	24	10.0
24	18	11.5
27	14	12.9
30	12	14.3

WG-60PTLDI-...-RLB-50-...-W-B

Delivered Lumens Per Foot

		Power			
		P1 [3 W/ft]	P2 [6 W/ft]	P3 [10 W/ft]	P4 [15 W/ft]
CCT	927	442	818	1234	1769
	930	456	843	1273	1824
	935	470	870	1311	1879
	940	484	895	1349	1934
		Power Multiplier			
		P1 [3 W/ft]	P2 [6 W/ft]	P3 [10 W/ft]	P4 [15 W/ft]
		0.25	0.46	0.70	1.00
		CCT Multiplier			
		927	930	935	940
		0.97	1.00	1.03	1.06



BEAM ANGLE (0-180) = 51.6
BEAM ANGLE (90-270) = 51.7

ILLUMINANCE - 24" RLB-50 P4 3000K

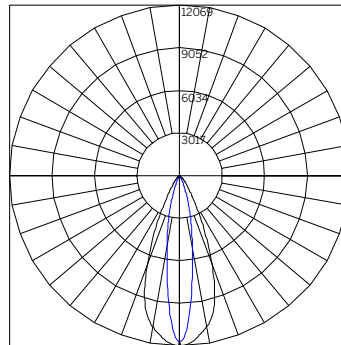
WG-60PTLDI-...-S-24-930-RLB-50-P4-...-W-B¹

Mounting Height [ft]	Illuminance [fc at nadir]	Beam Width [ft]
3	635	2.9
6	159	5.8
9	71	8.7
12	40	11.6
15	25	14.5
18	18	17.4
21	13	20.3
24	10	23.2
27	8	26.1
30	6	29.0

WG-60PTLDI-...-REO-20x40-...-W-W

Delivered Lumens Per Foot

		Power			
		P1 [3 W/ft]	P2 [6 W/ft]	P3 [10 W/ft]	P4 [15 W/ft]
CCT	927	408	755	1139	1632
	930	421	778	1174	1683
	935	434	802	1209	1734
	940	447	826	1245	1784
		Power Multiplier			
		P1 [3 W/ft]	P2 [6 W/ft]	P3 [10 W/ft]	P4 [15 W/ft]
		0.25	0.46	0.70	1.00
		CCT Multiplier			
		927	930	935	940
		0.97	1.00	1.03	1.06



BEAM ANGLE (0-180) = 17.8
BEAM ANGLE (90-270) = 42.2

ILLUMINANCE - 24" REO-20x40 P4 3000K

WG-60PTLDI-...-S-24-930-REO-20x40-P4-...-W-W¹

Mounting Height [ft]	Illuminance [fc at nadir]	Beam Width [ft]
3	1341	0.9
6	335	1.9
9	149	2.8
12	84	3.7
15	54	4.7
18	37	5.6
21	27	6.6
24	21	7.5
27	17	8.4
30	13	9.4

¹ Polar Plot and Cone of Light are applicable to part number noted; use Multiplication Factor table to approximate other models or refer to online photometry. All lumen data shown is for Direct portion only; refer to Indirect photometric page for possible Direct configurations.

ProTools 60 Linear Direct/Indirect Wall / Mullion Mount - Direct Only

WG-60PTLDI-....TW-RML-80-...

Delivered Lumens Per Foot

		Power	
		P2 [6 W/ft]	P3 [10 W/ft]
CCT	2200	299	442
	4000	307	466

WG-60PTLDI-....TW-ROL-105-...

Delivered Lumens Per Foot

		Power	
		P2 [6 W/ft]	P3 [10 W/ft]
CCT	2200	274	405
	4000	281	426

PROTOOLS 60 LINEAR UGR + FIXTURE EFFICIENCY

		UGR ¹			
		P1 [3W/ft]	P2 [6W/ft]	P3 [10W/ft]	P4 [15W/ft]
OPTIC - BEAM	RML-80	20.6	22.7	24.2	25.6
	ROL-105	23.9	26.1	27.6	29.0
	RLW-35	14.6	16.8	18.2	19.6
	RLW-50	13.6	15.8	17.3	18.6
	RLB-35	0.7	2.8	4.3	5.7
	RLB-50	12.9	15.1	16.6	21.7
	RNO-30	8.3	10.4	11.9	13.2

¹ UGR value noted is the maximum UGR (crosswise) with 930 LEDs at noted Power level.