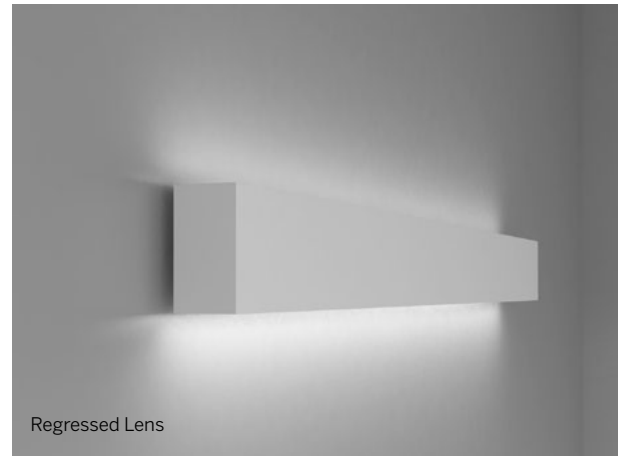


# ProTools 60 Linear Direct/Indirect Wall / Mullion Mount

- 2.4" aperture, wall mount bi-directional luminaire
- Specialized mounting bracket to mount directly to 2.5" window mullion
- Standard and tailored run lengths, including corners
- Separately controllable up and down lighting with distribution options
- Choice of beam spreads to accommodate all applications
- Extreme brightness control and the elimination of disturbing glare
- Modularity of insert modules for ultimate design flexibility
- Consistent LED technology throughout the Whitegoods product range
- Flicker-free full range dimming with standard driver (Eldoled)
- Manufactured in the USA



**Housing** Precision extruded aluminum for true dimensions and tolerances  
Toolless component assembly from below  
Mounts to horizontal 2" x 4" box or direct to the mounting surface  
Sure-lock mechanical connection system eliminates light leak  
Standard and tailored lengths including corner configurations  
Recessed snap-in cover for non-illuminated section  
Finishes: white, black, silver and custom

**Integration** Wall and mullion mounting brackets  
End wall mechanical and power connection option

**Distribution** 35, 50, 80, 105, 20x40 degree symmetrical downlight  
Asymmetric uplight standard

**LED** >90 CRI, 3-Step MacAdam, 2700-4000K static white  
3W - 15W per foot, 180 nominal lumens per watt average  
RA 91-94 (2700-4000K)  
L70 (TM21 Projected 85C) Static White / Tunable White = 72,000 hours  
Tuneable white 2200-4000K, 80 nominal lumens per watt average

**Optic** RML - recessed micro-prismatic lens | diffusion with maximum efficiency  
ROL - regressed opal acrylic lens | evenly illuminated line of light  
RLW/RLB - recessed louver white (W) or black (B) | extreme cutoff  
REO - Recessed elliptical optic - high efficiency graze  
A/W - Snap-on acrylic uplight optic - assymetric distribution

**Reflector** White: high efficiency (standard with RLW)  
Black: no brightness (standard with RLB)  
Silver: low brightness  
All 15% gloss  
Custom finish available

**Driver** Compatible with quality constant current drivers

**Connectivity** POE  
Wireless

**Weight** 4lbs per foot

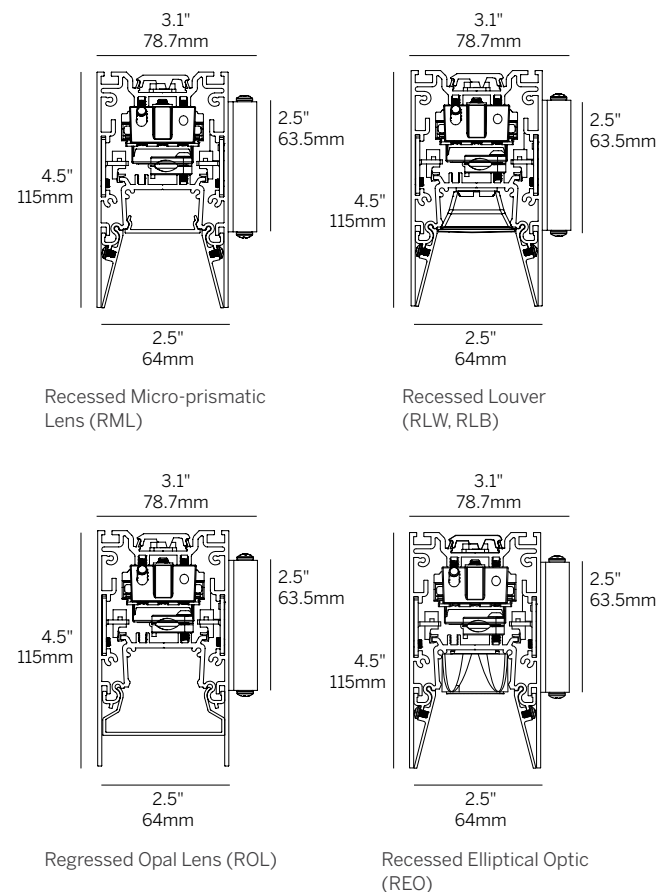
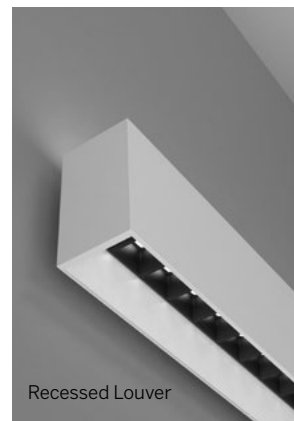
**Operating Temp** Suitable for operation in maximum ambient temperature of 35C (95F)

**Warranty** 5-year Limited (see complete company warranty information)

**Certifications** ETL and ETL-C for dry and damp location, CE

**Voltages** 120-277VAC

\*nominal lumens



# ProTools 60 Linear Direct/Indirect Wall / Mullion Mount

Model <sup>1</sup>	Fixation	Pattern	Length <sup>3</sup>	CRI/CCT	Direct			Indirect		Driver <sup>7</sup>	Housing Finish <sup>8</sup>	Reflector Finish <sup>8</sup>	Options
					Optic <sup>4</sup>	Beam	Power <sup>6</sup>	Optic	Power <sup>6</sup>				
WG-60PTLDI	SW SWM	S PI <sup>2</sup> PO <sup>2</sup>	24 48 96 XX <sup>4</sup>	927 930 935 940 TW <sup>5</sup>	RML	80	P1	W	P1	E1 L1 POE BT DALI TQ	W (std) B S F	W B S F	DC EM EW
					ROL	105	P2 P3 P4	A	P2				
					RLW RLB	35 50							
					REO	20x40							

**Model<sup>1</sup>**

- WG-60PTLDI = ProTools 60 Linear Direct/Indirect

**Fixation**

- SW = Surface Wall Mount
- SWM = Surface Wall Mullion Mount

**Pattern**

- S = Straight run
- PI = Standard patterns 2, 3 or 4 sided with 90° inside corners on the same plane<sup>2</sup>
- PO = Standard patterns 2, 3 or 4 sided with 90° outside corners on the same plane<sup>2</sup>

**Length<sup>3</sup>**

- 24 = 24"
- 48 = 48"
- 96 = 96"
- XX = Specify inches to the nearest 0.25"<sup>4</sup>

**CRI/CCT (90+ CRI)**

- 927 = 2700K
- 930 = 3000K
- 935 = 3500K
- 940 = 4000K
- TW = Tuneable white 2200-4000K<sup>5</sup>

**Optic Direct<sup>4</sup>**

- RML = Recessed micro-prismatic lens
- ROL = Regressed opal lens
- RLW = Recessed louver white (supplied with white reflectors standard)
- RLB = Recessed louver black (supplied with black reflectors only)<sup>4</sup>
- REO = Recessed elliptical optic

**Optic Indirect**

- A = Asymmetric (standard)
- W = Wide (batwing)

**Beam**

- 80 = 80° (RML)
- 105 = 105° (ROL)
- 35 = 35° (RLW, RLB)
- 50 = 50° (RLW, RLB)
- 20x40 = 20x40° (REO)

**Power Direct<sup>6</sup>**

- P1 = 3W/ft
- P2 = 6W/ft
- P3 = 10W/ft
- P4 = 15W/ft

**Power Indirect Lens (W/A)<sup>6</sup>**

- P1 = 3W/ft
- P2 = 6W/ft

**Driver<sup>7</sup>**

- E1 = EldoLED 0.1% dimming, 0-10V (120-277V)
- L1 = Lutron 1% dimming, Ecosystem (120-277V)
- PoE = Power over Ethernet
- BT = Wireless CAS – Casambi (Must specify BT with E1 or DALI)
- DALI = EldoLED Dali DT8 0.1% (120-277V)
- TQ = T-Series for Lutron Quantum 0.1% (120-277V) (Tunable white ONLY)

**Housing Finish<sup>8</sup>**

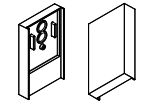
- W = White, 15% gloss, RAL 9003 / Tiger Drylac 049/11350 (standard)
- B = Black, 15% gloss, RAL 9005 / Tiger Drylac 044/90053
- S = Silver, 15% gloss, RAL 9006 / Tiger Drylac 049/90500
- F = Custom finished trim, specify RAL

**Reflector Finish<sup>8</sup>**

- W = White, 15% gloss, RAL 9003 / Tiger Drylac 049/11350 (standard with RLW)
- B = Black, 15% gloss, RAL 9005 / Tiger Drylac 044/90053 (standard with RLB)
- S = Silver, 15% gloss, RAL 9006 / Tiger Drylac 049/90500
- F = Custom finished trim, specify RAL

**Options**

- DC = Dual circuit
- EM = Emergency (remote)
- EW = End wall bracket



End Caps  
(2 included per run)

Whitegoods reserves the right to change any information without prior notice.

**Notes**

- 1 To specify Indirect only, leave direct (optic, beam, power) codes blank.
- 2 See pattern spec sheet.
- 3 Individual fixture lengths less than 2' may require remote driver.
- 4 Specify Lensed products to nearest 0.25". Specify Louvered and Tuneable White products in 6" increments for continuous light. Louver supplied in 6" increments, balance of the run will have recessed blank covers on ends.
- 5 TW only available with RML/ROL for P2 and P3.
- 6 Refer to specsheet for delivered lumen data for all product configurations.
- 7 See power supply page for details.
- 8 See Tiger Drylac color chart: inter-lux.com/tiger

