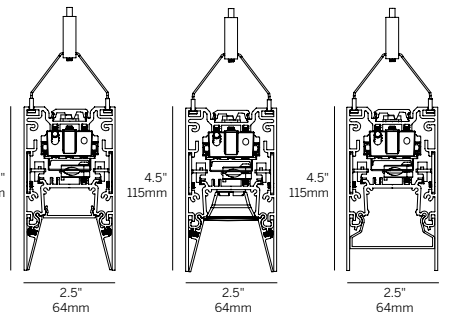
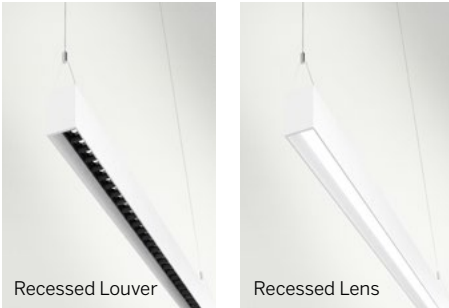
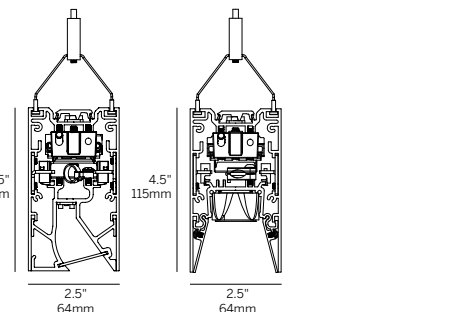


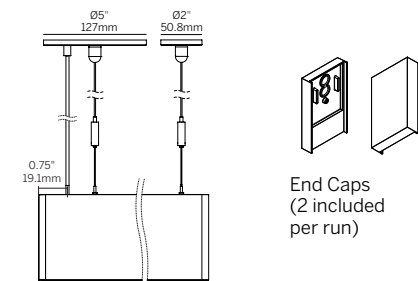
ProTools 60 Linear Direct/Indirect Suspended



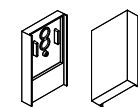
Recessed Micro-prismatic Lens (RML) Recessed Louver (RLW, RLB) Regressed Opal Lens (ROL)



Recessed Lens + Wall Wash (LML + WW) Recessed Narrow Optic (RNO)



Power Feed + Suspension



Ordering Information					Direct			Indirect					
Model ¹	Fixation	Pattern	Length ³	CRI/CCT	Optic ⁴	Beam	Power ⁶	Optic	Power ⁶	Driver ⁷	Housing Finish ⁸	Reflector Finish ⁸	Options
WG-60PTLDI													
WG-60PTLDI	S48 S96 SXX	S P ² P1 ² PO ² PZ ²	24 48 96 XX ⁴	927 930 935 940 TW ⁵	RML ROL RLW RLB RNO LML	80 105 35 50 30 WW	P1 P2 P3 P4	A W	P1 P2	E1 L1 POE BT DALI TQ	W (std) B S F	W B S F	DC EM PJG SC

Luminaire¹

- 2.4" aperture, suspended bi-directional luminaire.
- Standard and tailored run lengths, including corner configurations.
- Separately controllable up and down lighting with distribution options.
- Extreme brightness control and the elimination of disturbing glare.
- Modularity of insert modules for ultimate flexibility.
- Consistent LED technology throughout the Whitegoods product range.
- Flicker-free full range dimming with standard driver (Eldoled)
- L70 (TM21 Projected 85C) 72,000 hours.
- ETL and ETL-C for dry and damp location.

Fixation

Power suspension w/5" canopy standard. Non-feed suspensions provided with 2" canopy

- S48 = 48" suspension cable
- S96 = 96" suspension cable
- SXX = Specify suspension cable length to nearest 0.25"

Pattern

- S = Straight run
- P = Standard patterns 2, 3 or 4 sided with 90° corners on the same plane²
- P1 = Standard patterns 2, 3 or 4 sided with 90° inside corners on the same plane²
- PO = Standard patterns 2, 3 or 4 sided with 90° outside corners on the same plane²
- PZ = Non-standard patterns and/or corners other than 90° on multiple planes, consult factory²

Length³

- 24 = 24"
- 48 = 48"
- 96 = 96"
- XX = Specify inch the nearest 0.25"⁴

CRI/CCT (90+ CRI)

- 927 = 2700K
- 930 = 3000K
- 935 = 3500K
- 940 = 4000K
- TW = Tuneable white 2200-4000K⁵

Optic⁴

- RML = Recessed micro-prismatic lens
- ROL = Recessed opal lens
- RLW = Recessed louver white (supplied with white reflectors standard)
- RLB = Recessed louver black (supplied with black reflectors only)
- RNO = Recessed narrow optic
- LML = Linear micro-prismatic lens

Optic Indirect

- A = Asymmetric
- W = Wide (batwing)

Beam

- 80 = 80° (RML)
- 105 = 105° (ROL)
- 35 = 35° (RLW, RLB)
- 50 = 50° (RLW, RLB)
- 30 = 30° (RNO)
- WW = Wall Wash (LML)

Power Direct⁶

- P1 = 3W/ft
- P2 = 6W/ft
- P3 = 10W/ft
- P4 = 15W/ft

Power Indirect Lens (W/A)⁶

- P1 = 3W/ft
- P2 = 6W/ft

Driver⁷

- E1 = EldoLED 0.1% dimming, 0-10V (120-277V)
- L1 = Lutron 1% dimming, Ecosystem (120-277V)
- PoE = Power over Ethernet
- BT = Wireless CAS – Casambi (Must specify BT with E1 or DALI)
- DALI = EldoLED Dali DT8 0.1% (120-277V)
- TQ = T-Series for Lutron Quantum 0.1% (120-277V) (Tunable white ONLY)

Housing Finish⁸

- W = White, 15% gloss, RAL 9003 / Tiger Drylac 049/11350 (standard)
- B = Black, 15% gloss, RAL 9005 / Tiger Drylac 044/90053
- S = Silver, 15% gloss, RAL 9006 / Tiger Drylac 049/90500
- F = Custom finished trim, specify RAL

Reflector Finish⁸

- W = White, 15% gloss, RAL 9003 / Tiger Drylac 49/11350 (standard with RLW)
- B = Black, 15% gloss, RAL 9005 / Tiger Drylac 44/90053 (standard with RLB, not offered with LML)
- S = Silver, 15% gloss, RAL 9006 / Tiger Drylac 049/90500
- F = Custom finished trim, specify RAL

Options

- DC = Dual circuit
- EM = Emergency (remote)
- PJG = Power suspension w/5" canopy on grid
- SC = Sloped ceiling suspension

- 1 To specify Indirect only, leave direct (optic, beam, power) codes blank.
- 2 See pattern spec sheet.
- 3 Individual fixture lengths less than 2" may require remote driver.
- 4 Specify Lensed products to nearest 0.25". Specify Louvered and Tuneable White products in 6" increments for continuous light. Louver supplied in 6" increments, balance of the run will have recessed blank covers on ends.
- 5 TW only available with RML/ROL/LML for P2 and P3.
- 6 See photometric data sheet for delivered lumens.
- 7 See power supply page for details.
- 8 See Tiger Drylac color chart: inter-lux.com/tiger