

ProTools 60 Linear Direct/Indirect Suspended

- 2.4" aperture, suspended bi-directional luminaire
- Standard and tailored run lengths, including corner configurations
- Separately controllable up and down lighting with distribution options
- Choice of beam spreads to accommodate all applications
- Extreme brightness control and the elimination of disturbing glare
- Modularity of insert modules for ultimate design flexibility
- Consistent LED technology throughout the Whitegoods product range
- Flicker-free full range dimming with standard driver (Eldoled)
- Manufactured in the USA

Housing Precision extruded aluminum for true dimensions and tolerances
Toolless component assembly
Field adjustable suspension height and position
Sure-lock mechanical connection system eliminates light leak
Standard and tailored lengths and corner configurations
Recessed snap-in cover for non-illuminated section
Finishes: white, black, silver and custom
Clear suspension cables with white ceiling escutcheons standard

Integration Ceiling canopy mounts to any ceiling surface

Distribution 30, 35, 50, 80, 105 degree symmetrical downlight
Batwing and asymmetric uplight options
Wall Wash

LED >90 CRI, 3-Step MacAdam, 2700-4000K static white
3W - 15W per foot, 180 nominal lumens per watt average
RA 91-94 (2700-4000K)
L70 (TM21 Projected 85C) Static White / Tunable White = 72,000 hours
Tuneable white 2200-4000K, 80 nominal lumens per watt average

Optic RML - recessed micro-prismatic lens | diffusion with maximum efficiency
ROL - regressed opal acrylic lens | evenly illuminated line of light
RLW/RLB - recessed louver white (W) or black (B) | extreme cutoff
RNO - recessed narrow optic | narrow beam with maximum punch
LML - Linear micro-prismatic lens - diffusion and efficiency for wall wash
A/W - Snap-on acrylic uplight optic - batwing or asymmetric distribution

Reflector White: high efficiency (standard with RLW)
Black: no brightness (standard with RLB, not offered with LML)
Silver: low brightness
All 15% gloss
Custom finish available

Driver Compatible with quality constant current drivers

Connectivity POE
Wireless

Weight 4lbs per foot

Operating Temp Suitable for operation in maximum ambient temperature of 35C (95F)

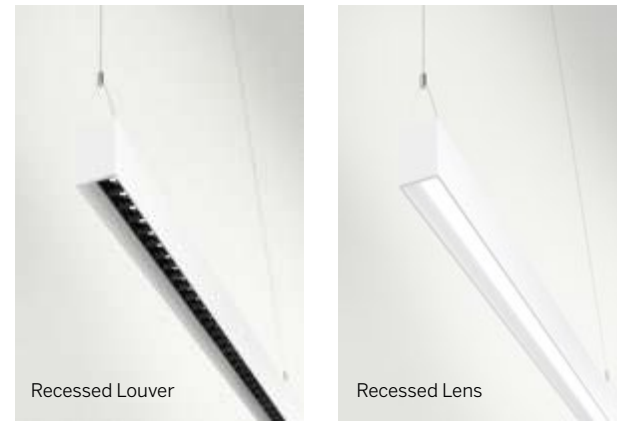
Warranty 5-year Limited (see complete company warranty information)

Certifications ETL and ETL-C for dry and damp location, CE

Voltages 120-277VAC

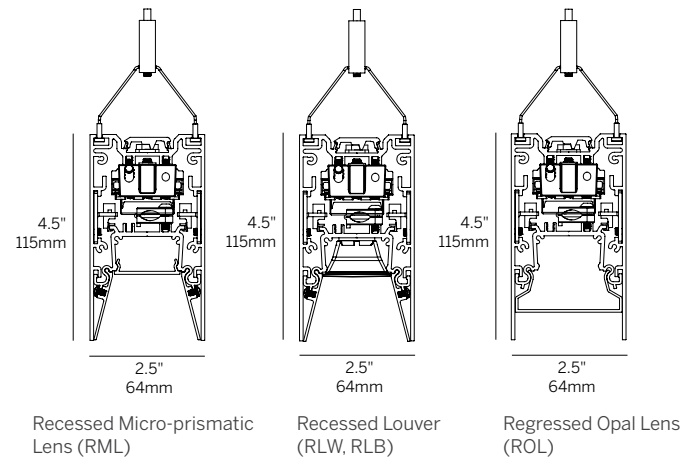


Regressed Lens



Recessed Louver

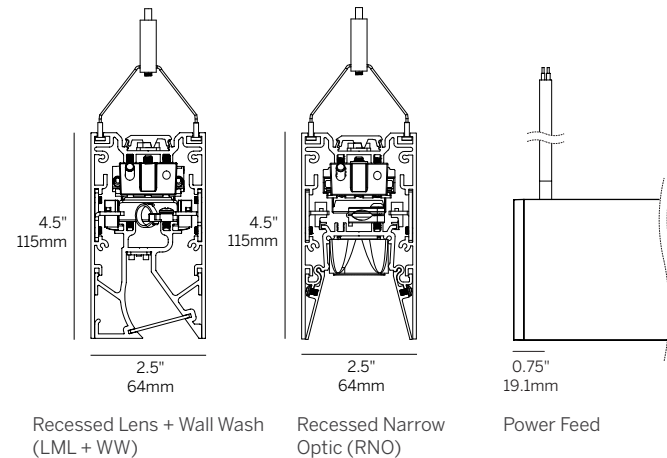
Recessed Lens



Recessed Micro-prismatic Lens (RML)

Recessed Louver (RLW, RLB)

Regressed Opal Lens (ROL)



Recessed Lens + Wall Wash (LML + WW)

Recessed Narrow Optic (RNO)

Power Feed

ProTools 60 Linear Direct/Indirect Suspended

Model ¹	Fixation	Pattern	Length ³	CRI/CCT	Direct			Indirect		Driver ⁷	Housing Finish ⁸	Reflector Finish ⁸	Options
					Optic ⁴	Beam	Power ⁶	Optic	Power ⁶				
WG-60PTLDI	S48	S	24	927	RML	80	P1	A	P1	E1 L1 POE BT DALI TQ	W B S F	W B S F	DC EM PJG SC
	S96	PI ²	48	930	ROL	105	P2	W	P2				
	SXX	PO ²	96	935	RLW	35	P3						
		PZ ²	XX ⁴	940	RLB	50	P4						
				TW ⁵	RNO	30							
				LML	WW								

Model¹

- WG-60PTLDI = ProTools 60 Linear Direct/Indirect

Fixation

Power suspension w/5" canopy standard. Non-feed suspensions provided with 2" canopy

- S48 = 48" suspension cable
- S96 = 96" suspension cable
- SXX = Specify suspension cable length to nearest 0.25

Pattern

- S = Straight run
- PI = Standard patterns 2, 3 or 4 sided with 90° inside corners on the same plane¹
- PO = Standard patterns 2, 3 or 4 sided with 90° outside corners on the same plane¹
- PZ = Non-standard patterns and/or corners other than 90° on multiple planes, consult factory²

Length³

- 24 = 24"
- 48 = 48"
- 96 = 96"
- XX = Specify inches to the nearest 0.25"⁴

CRI/CCT (90+ CRI)

- 927 = 2700K
- 930 = 3000K
- 935 = 3500K
- 940 = 4000K
- TW = Tuneable white 2200-4000K⁵

Optic Direct⁴

- RML = Recessed micro-prismatic lens
- ROL = Regressed opal lens
- RLW = Recessed louver white (supplied with white reflectors standard)
- RLB = Recessed louver black (supplied with black reflectors only)
- RNO = Recessed narrow optic
- LML = Linear micro-prismatic lens

Optic Indirect

- A = Asymmetric
- W = Wide (batwing)

Beam

- 80 = 80° (RML)
- 105 = 105° (ROL)
- 35 = 35° (RLW, RLB)
- 50 = 50° (RLW, RLB)
- 30 = 30° (RNO)
- WW = Wall Wash (LML)

Power Direct⁶

- P1 = 3W/ft
- P2 = 6W/ft
- P3 = 10W/ft
- P4 = 15W/ft

Power Indirect Lens (W/A)⁶

- P1 = 3W/ft
- P2 = 6W/ft

Driver⁷

- E1 = EldoLED 0.1% dimming, 0-10V (120-277V)
- L1 = Lutron 1% dimming, Ecosystem (120-277V)
- PoE = Power over Ethernet
- BT = Wireless CAS – Casambi (Must specify BT with E1 or DALI)
- DALI = EldoLED Dali DT8 0.1% (120-277V)
- TQ = T-Series for Lutron Quantum 0.1% (120-277V) (Tunable white ONLY)

Housing Finish⁸

- W = White, 15% gloss, Tiger Drylac 49/11350 (standard)
- B = Black, 15% gloss, Tiger Drylac 44/90053
- S = Silver, 15% gloss, Tiger Drylac 49/90500
- F = Custom finished trim, specify RAL

Reflector Finish⁸

- W = White, 15% gloss, Tiger Drylac 49/11350 (standard with RLW)
- B = Black, 15% gloss, Tiger Drylac 44/90053 (standard with RLB, not offered with LML)
- S = Silver, 15% gloss, Tiger Drylac 49/90500
- F = Custom finished trim, specify RAL

Options

- DC = Dual circuit
- EM = Emergency (remote)
- PJG = Power suspension w/5" canopy on grid
- SC = Sloped ceiling suspension

Whitegoods reserves the right to change any information without prior notice.

Notes

- 1 To specify Indirect only, leave direct (optic, beam, power) codes blank.
- 2 See pattern spec sheet.
- 3 Individual fixture lengths less than 2' may require remote driver.
- 4 Specify Lensed products to nearest 0.25". Specify Louvered and Tuneable White products in 12" increments for continuous light. Louver supplied in 12" increments, balance of the run will have recessed blank covers on ends.
- 5 TW only available with RML/ROL/LML for P2 and P3.
- 6 Refer to specsheet for delivered lumen data for all product configurations.
- 7 See power supply page for details.
- 8 See Tiger Drylac color chart: inter-lux.com/tiger

