

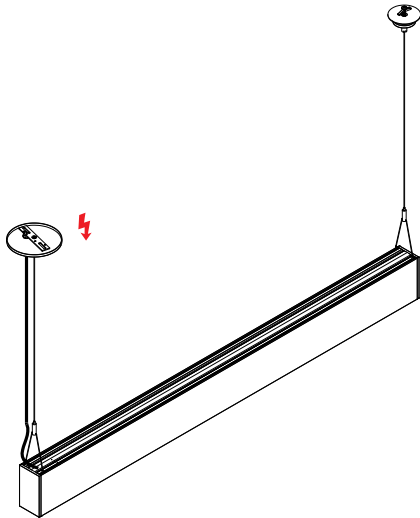
Luminaires must be installed by a qualified electrician (check with local and national codes for proper installation).



To prevent electrical shock, disconnect electrical supply before installation or servicing. Never connect a live fixture!!!

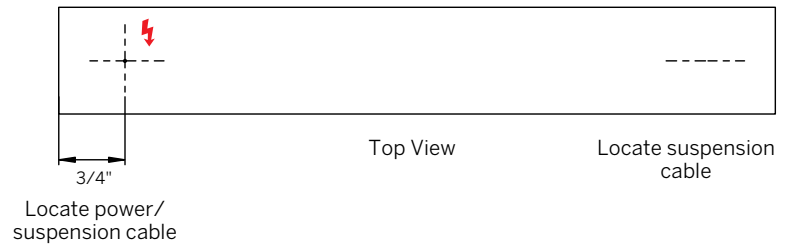
Contractor is responsible for adequately reinforcing walls and/or ceilings to support fixture weight. Provide blocking when necessary.

## Individual / Starter Housing

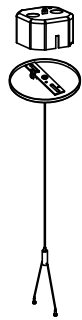


**Step 1** Mark reference points on ceiling for Power Feed location. Subsequent Suspensions should be placed equidistant if possible.

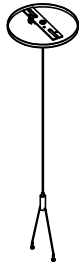
Note: all Suspension Points are field adjustable along length of Luminaire.



**Step 2** Use appropriate Power/Suspension Systems and attach it to ceiling using anchors and screws appropriate for mounting surface.



Power/suspension "On Grid" 450-1007



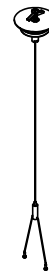
Standard Feed Kit Junction Box 820-10740



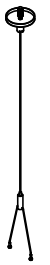
Non-Feed Kit Grid Ceiling 820-10741



Non-Feed Kit Sloped Ceiling 820-10742

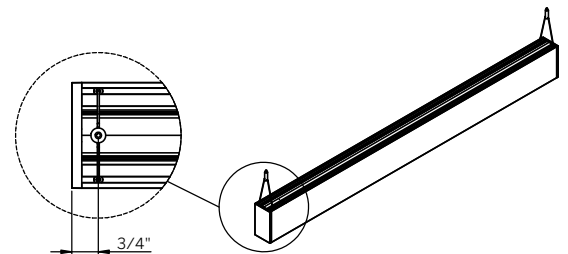
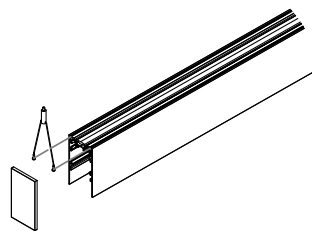


Non-Feed Kit Tile & Drywall 820-10743



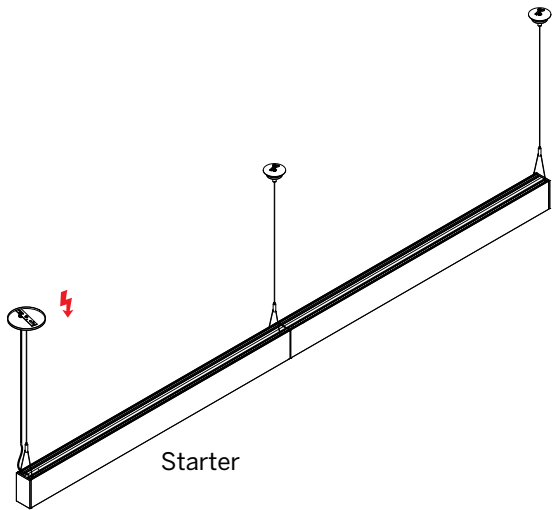
Non-Feed Kit Wood Ceiling 820-10744

**Step 3** Slide in Suspension Hanger inserting bolts in Housing first, and then attach End Caps.

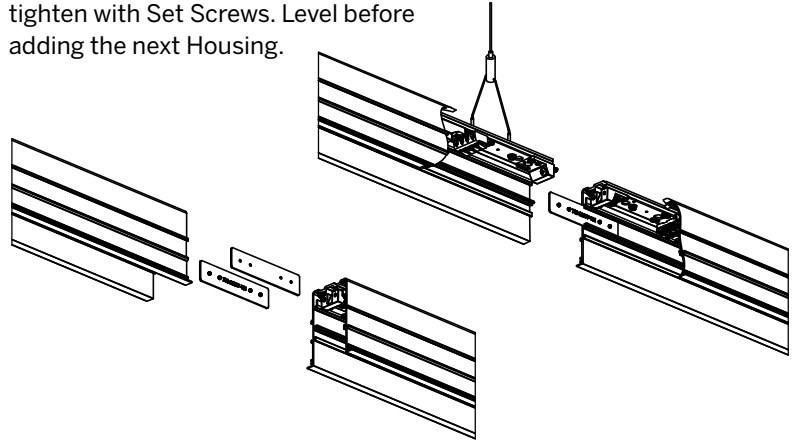


Continuous Runs: continue on to Step 4.

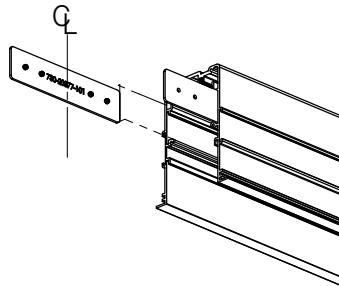
## Continuous Run Housing (see steps 1 -3 for starter)



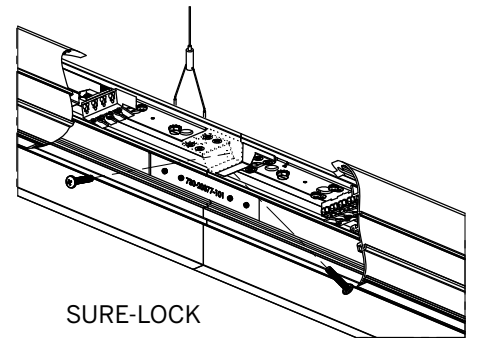
**Step 4** Install Suspension and Joiners (2) onto one Housing ONLY, tighten with Set Screws. Level before adding the next Housing.



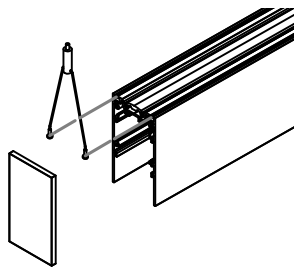
**Step 5** Slide joining Housing onto Joiners and DO NOT TIGHTEN Set Screws until Cross Joiner is tightened (Step 6). Level Housings.



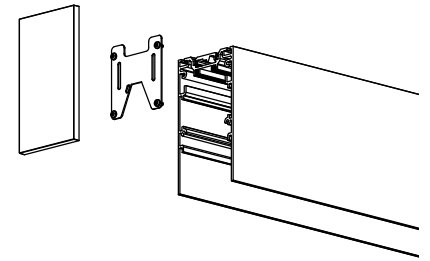
**Step 6** Insert Cross Joiner Screws (2) and tighten ensuring there is no gap. Tighten remaining Set Screws on the Joiners.



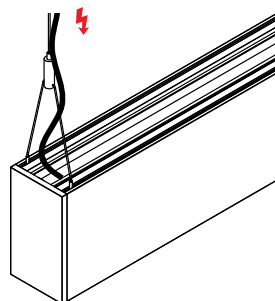
**Step 7** Slide in Suspension cable on the end Housing first, and then attach End Caps.



**Step 8** Attach End Caps and tighten Set Screws ensuring there is no gap.

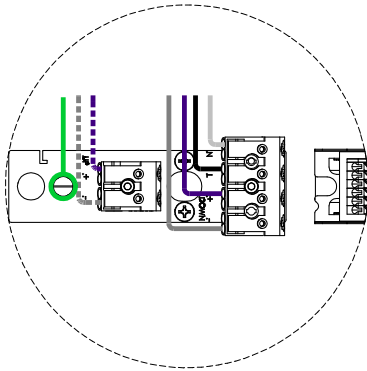


**Step 9** Connect Supply Cable to top of Housing following along Cable Suspension.

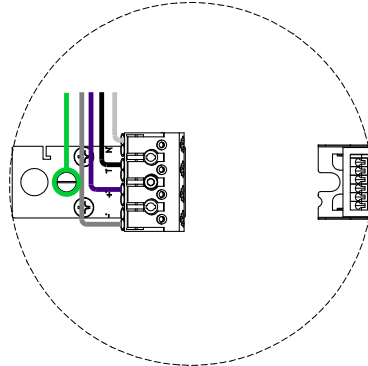


## Connect Wiring (with power off)

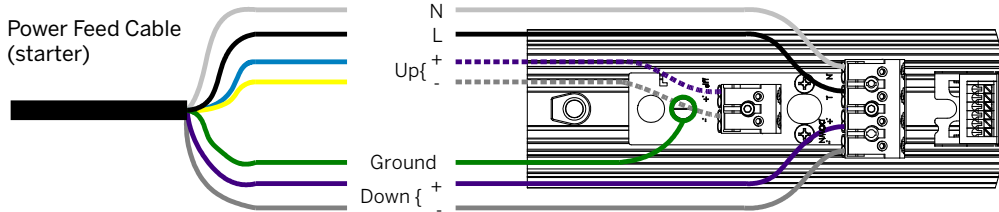
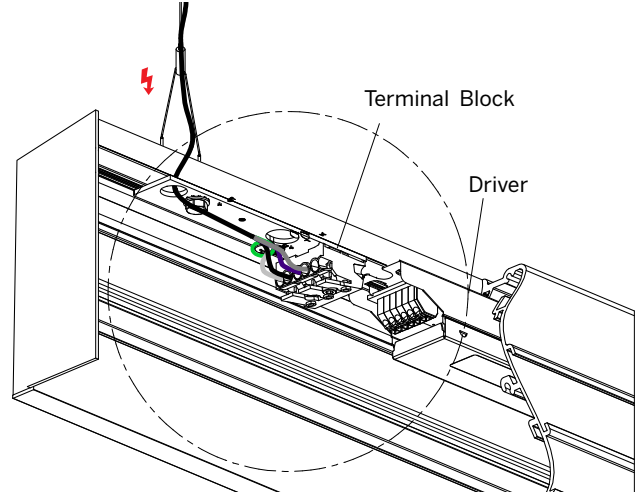
**Step 10** Connect wiring as appropriate.



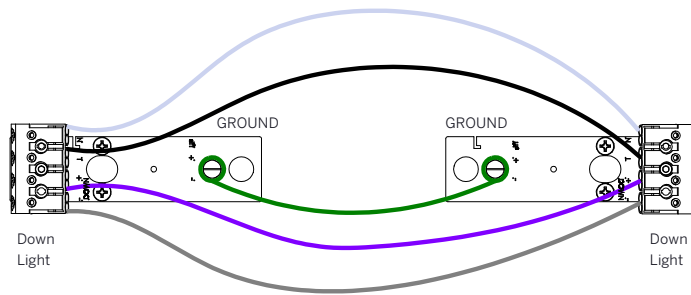
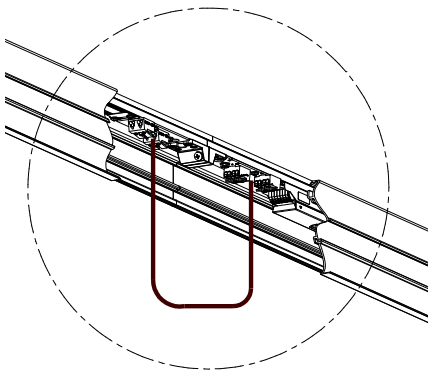
Dual Circuit



Single Circuit



**Step 11** For continuous run connect wires to Terminals as shown.



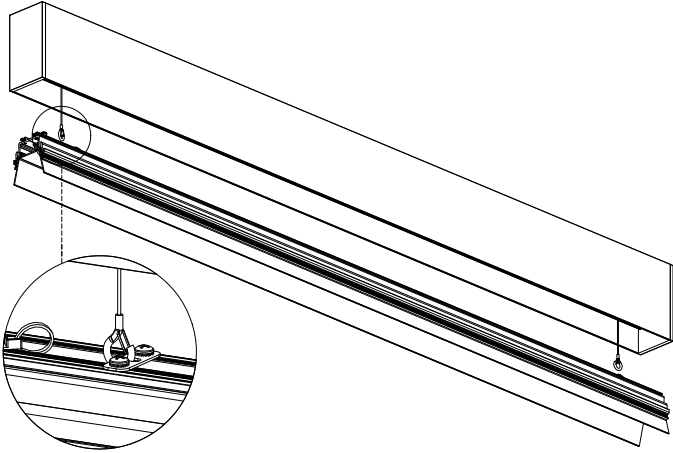
# ProTools Linear

WG-60PTL-S-RML/ROL/RLW/RLB/RNO/LML  
WG-60PTLDI-S-RML/ROL/RLW/RLB/RNO/LML

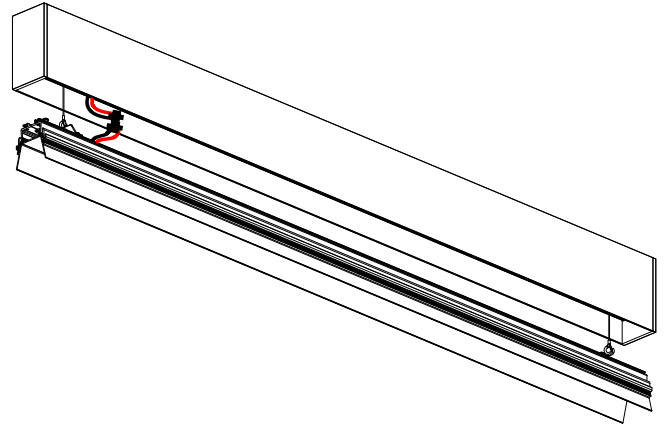
# Suspended Installation Instructions

## Install LED Tray

**Step 12** Attach Safety Cable as shown.



**Step 13** Connect low voltage wires from Gear Tray to Driver secondary.



**Step 14** Push Gear Tray straight and level into the Housing until it clicks into place. Slide the Gear Tray to adjust as needed.

