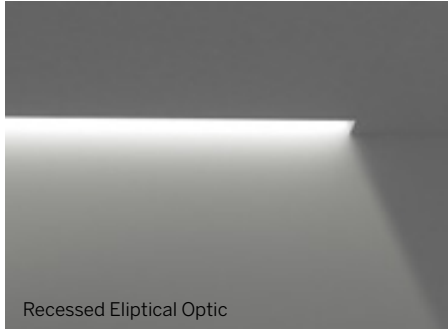


# ProTools 60 Linear Perimeter Recessed



Ordering Information											
Model	Fixation	Pattern	Length <sup>2</sup>	CRI/CCT	Optic	Beam	Power <sup>4</sup>	Driver <sup>5</sup>	Housing Finish <sup>6</sup>	Reflector Finish	Options
WG-60PTLP	RPT	S	24	927	RML	80	P1	E1	W	W	CP
WG-60PTLPSG1	RBT	P <sup>1</sup>	48	930	RLW <sup>3</sup>	35	P2	L1	S	B	EM
WG-60PTLPSG2	RG9	PZ <sup>1</sup>	96	935	RLB <sup>3</sup>	50	P3	A3	F	S	NYC
WG-60PTLPSG3	RG15		XX <sup>3</sup>	940	REO	20x40	P4	POE BT TQ DMX		F	TF

### Luminaire

- 2.4" aperture, integrated solution that is compatible with all ceiling types
- Standard and tailored run lengths, including corners
- Evenly illuminated perimeter lighting system
- Soft Graze option to vary light center from the wall
- Recessed optics minimizes brightness
- Consistent LED technology throughout the Whitegoods product range
- Easy to install housing allows the wall to continue above the finished ceiling
- Flexible design allows exact wall-to-wall dimensions
- Flicker-free full range dimming with standard driver (Eldoled)

### Fixation

- RPT = Recessed plaster trim
- RBT = Recessed trim for hard ceiling
- RG9 = Recessed trim for 9/16" grid
- RG15 = Recessed trim for 15/16" grid

### Pattern

- S = Straight run
- P = Standard patterns 2, 3 or 4 sided with 90° corners on the same plane<sup>1</sup>
- PZ = Non-standard patterns and/or corners other than 90° on multiple planes, consult factory<sup>1</sup>

### Length<sup>2</sup>

- 24 = 24"
- 48 = 48"
- 96 = 96"
- XX = Specify inches to the nearest 0.25"<sup>3</sup>

### CRI/CCT

- 90+ CRI
- 927 = 2700K
  - 930 = 3000K
  - 935 = 3500K
  - 940 = 4000K
  - TW = Tuneable white 2200-4000K

### Optic

- RML = Recessed micro-prismatic lens
- RLW = Recessed louver white (supplied with white reflectors standard)<sup>3</sup>
- RLB = Recessed louver black (supplied with black reflectors only)<sup>3</sup>
- REO = Recessed elliptical optic

### Beam

- 80 = 80° (RML)
- 35 = 35° (RLW, RLB)
- 50 = 50° (RLW, RLB)
- 20x40 = 20x40° (REO)

### Power<sup>4</sup>

- Lens (RML)
- P1 = 3W/ft (330 lm/ft)
  - P2 = 6W/ft (620 lm/ft)
  - P3 = 10W/ft (950 lm/ft)
  - P4 = 15W/ft (1400 lm/ft)

### Tuneable White (RML)

- P2 = 6W/ft (299-307 lm/ft)
- P3 = 10W/ft (442-466 lm/ft)

### Louver (RLW/RLB/RNO)

- P2 = 6W/ft (890/850/940 lm/ft)
- P3 = 10W/ft (1340/1280/1400 lm/ft)
- P4 = 15W/ft (1920/1835/2000 lm/ft)

### Driver<sup>5</sup>

- E1 = EldoLED 0.1% dimming, 0-10V (120-277V)
- L1 = Lutron 1% dimming, Ecosystem (120-277V)
- A3 = Advance 1% dimming, 0-10V (347V ONLY)
- PoE = Power over Ethernet
- BT = Wireless CAS – Casambi
- TQ = T-Series for Lutron Quantum 0.1% (120-277V) (Tunable white ONLY)
- DMX = EldoLED 0.1% dimming DMX (120-277V)

### Housing Finish<sup>6</sup>

- W = White, 15% gloss, Tiger Drylac 49/11350 (standard)
- S = Silver, 15% gloss, Tiger Drylac 49/90500
- F = Custom finished trim, specify RAL

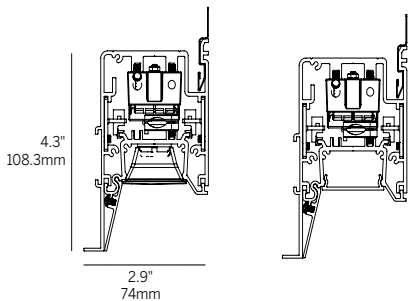
### Reflector Finish<sup>6</sup>

- W = White, 15% gloss, Tiger Drylac 49/11350 (standard)
- B = Black, 15% gloss, Tiger Drylac 44/90053
- S = Silver, 15% gloss, Tiger Drylac 49/90500
- F = Custom finished trim, specify RAL

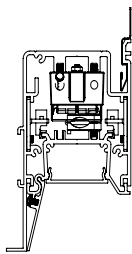
### Options

- CP = Chicago Plenum Rated
- EM = Emergency (remote)
- NYC = 6' whip per run
- TF = Top feed

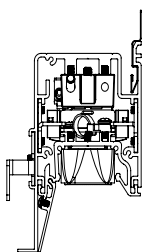
1 See pattern spec sheet.  
 2 Individual fixture lengths less than 2' may require remote driver.  
 3 Specify Lensed products to nearest 0.25". Specify Louvered and Tuneable White products in 12" increments for continuous light. Louver supplied in 12" increments, balance of the run will have recessed blank covers on ends.  
 4 Values are approximate delivered lumens for 3000K LEDs; refer to product data sheet for additional details. For RLB/RLW, delivered lumens with 50 degree beam.  
 5 See power supply page for details.  
 6 See Tiger Drylac color chart: [inter-lux.com/tiger](http://inter-lux.com/tiger)



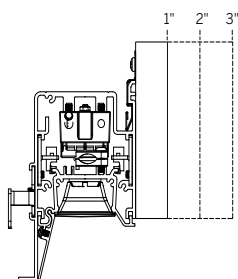
Recessed Louver (RLW, RLB)



Recessed Micro-prismatic Lens (RML)



Recessed Elliptical Optic (REO)



Soft Graze: 1" 2" 3" (SG1, SG2, SG3)