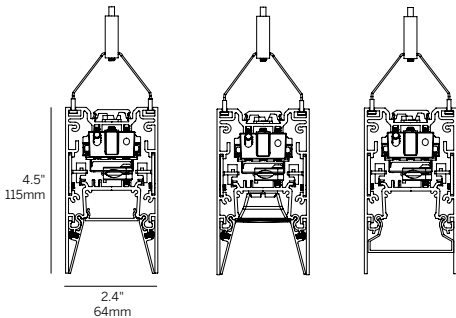
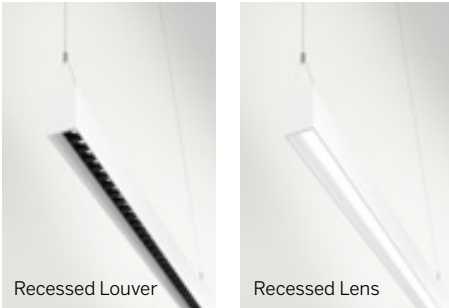


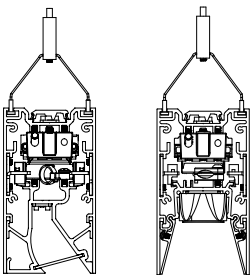
# ProTools 60 Linear Direct/Indirect Suspended



Recessed Micro-prismatic Lens (RML)

Recessed Louver (RLW, RLB)

Regressed Opal Lens (ROL)



Recessed Lens + Wall Wash (LML + WW)

Recessed Narrow Optic (RNO)

Ordering Information													
Model	Fixation	Pattern	Length <sup>2</sup>	CRI/CCT	Direct			Indirect		Driver <sup>5</sup>	Housing Finish <sup>6</sup>	Reflector Finish <sup>6</sup>	Options
					Optic	Beam	Power <sup>4</sup>	Optic	Power <sup>4</sup>				
WG-60PTLDI	S	S	48	927	RML	80	P1	A	P1	E1	W	W	DC
		P <sup>1</sup>	96	930	ROL	105	P2	W	P2	L1	B	B	EM
		PZ <sup>1</sup>	XX <sup>3</sup>	935	RLW <sup>3</sup>	35	P3			A3	S	S	SC
				940	RLB <sup>3</sup>	50	P4			POE	F	F	PJG
				4000K	RNO	30				BT			X
				Tuneable White	LML	WW				DMX			

### Luminaire

- 2.4" aperture, suspended bi-directional luminaire
- Standard and tailored run lengths, including corner configurations
- Separately controllable up and down lighting with distribution options
- Extreme brightness control and the elimination of disturbing glare
- Modularity of insert modules for ultimate flexibility
- Consistent LED technology throughout the Whitegoods product range
- Flicker-free full range dimming with standard driver (Eldoled)

### Fixation

- S = Suspended (Power suspension w/5" canopy standard. Non-feed suspensions provided with 2" canopy.)

### Pattern

- S = Straight run
- P = Standard patterns 2, 3 or 4 sided with 90° corners on the same plane<sup>1</sup>
- PZ = Non-standard patterns and/or corners other than 90° on multiple planes, consult factory<sup>1</sup>

### Length<sup>2</sup>

- 48 = 48"
- 96 = 96"
- XX = Specify inch to the nearest 0.25"<sup>3</sup>

### CRI/CCT

- 90+ CRI
- 927 = 2700K
- 930 = 3000K
- 935 = 3500K
- 940 = 4000K
- TW = Tuneable white 2200-4000K

### Optic

- RML = Recessed micro-prismatic lens
- ROL = Recessed opal lens
- RLW = Recessed louver white (supplied with white reflectors standard)<sup>3</sup>
- RLB = Recessed louver black (supplied with black reflectors only)<sup>3</sup>
- RNO = Recessed narrow optic
- LML = Linear micro-prismatic lens

### Optic Indirect

- A = Asymmetric (standard)
- W = Wide

### Beam

- 80 = 80° (RML)
- 105 = 105° (ROL)
- 35 = 35° (RLW, RLB)
- 50 = 50° (RLW, RLB)
- 30 = 30° (RNO)
- WW = Wall Wash (LML)

### Power Direct<sup>4</sup>

- Lens (ROL/RML)
- P1 = 3W/ft (300/330 lm/ft)
- P2 = 6W/ft (565/620 lm/ft)
- P3 = 10W/ft (870/950 lm/ft)
- P4 = 15W/ft (1280/1400 lm/ft)

### Tuneable White (ROL/RML)

- P2 = 6W/ft (274-281/299-307 lm/ft)
- P3 = 10W/ft (935/1020 lm/ft)

### Louver (RLW/RLB/RNO)

- P2 = 6W/ft (890/850/940 lm/ft)
- P3 = 10W/ft (1340/1280/1200 lm/ft)
- P4 = 15W/ft (1920/1835/2000 lm/ft)

### Wall Wash (LML)

- P1 = 3W/ft (225 lm/ft)
- P2 = 6W/ft (420 lm/ft)
- P3 = 10W/ft (640 lm/ft)
- P4 = 15W/ft (950 lm/ft)

### Power Indirect Lens (W/A)<sup>5</sup>

- P1 = 3W/ft (490/500 lm/ft)
- P2 = 6W/ft (920/935 lm/ft)

### Driver<sup>5</sup>

- E1 = EldoLED 0.1% dimming, 0-10V (120-277V)
- L1 = Lutron 1% dimming, Ecosystem (120-277V)
- A3 = Advance 1% dimming, 0-10V (347V ONLY)
- PoE = Power over Ethernet.
- BT = Wireless CAS – Casambi
- TQ = T-Series for Lutron Quantum 0.1% (120-277V) (Tunable white ONLY)
- DMX = EldoLED 0.1% dimming DMX (120-277V)

### Housing Finish<sup>6</sup>

- W = White, 15% gloss, Tiger Drylac 49/11350 (standard)
- B = Black, 15% gloss, Tiger Drylac 44/90053
- S = Silver, 15% gloss, Tiger Drylac 49/90500
- F = Custom finished trim, specify RAL

### Reflector Finish<sup>6</sup>

- W = White, 15% gloss, Tiger Drylac 49/11350 (standard with RLW)
- B = Black, 15% gloss, Tiger Drylac 44/90053 (standard with RLB)
- S = Silver, 15% gloss, Tiger Drylac 49/90500
- F = Custom finished trim, specify RAL

### Options

- DC = Dual circuit
- EM = Emergency (remote)
- SC = Sloped ceiling suspension
- PJG = Power suspension w/5" canopy on grid
- X = No direct light

1 See pattern spec sheet.  
 2 Individual fixture lengths less than 2' may require remote driver.  
 3 Specify Lensed products to nearest 0.25". Specify Louvered and Tuneable White products in 12" increments for continuous light. Louver supplied in 12" increments, balance of the run will have recessed blank covers on ends.  
 4 Values are approximate delivered lumens for 3000K LEDs. For RLB/RLW, delivered lumens with 50 degree beam.  
 5 See power supply page for details.  
 6 See Tiger Drylac color chart: [inter-lux.com/tiger](http://inter-lux.com/tiger)