

4" ProTools DLX Adjustable Square Recessed Cone - Narrow

Full Featured With Accessory Holder And Ceiling
Void Light Leak Hood

- 4" square downlight with 2" light aperture.
- Regressed aperture / lens position provides good glare control.
- 8 degree very narrow beam..
- Open aperture, clear lens or optical accessory lenses.
- No light leak or view into ceiling void from below due to a unique light leak hood.
- Luminaire and driver installed and maintained from below the ceiling.
- Mounts in 1/16" to 1" surface.
- Modular interchangeability throughout the entire ProTools range of products.
- Tilt 45°, rotation 365°, 144 step.
- Wet Location option as standard (WL).

Housing Die-cast aluminum for precision fit and heat dissipation
Mounting hardware for all ceiling types; trim and trimless
EZ clip mounting for secure installation
Snap-in cover
Trimless housing with Quik-Snap feature allows endless multiple combinations without specialized housings

Covers Square recessed cone - low brightness, general illumination

LED 90+ CRI
Low/Mid/High/Extra High output choices
2700K, 3000K, 3500K, 4000K

Beam 8 degree beam spread (TIR Optic)

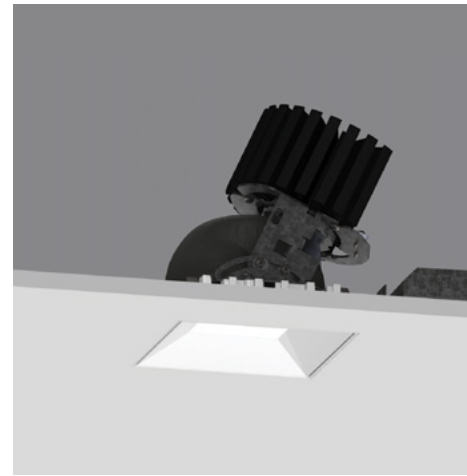
Driver Integral and remote drivers for all dimming and non-dimming applications
Through-wire integral driver enclosure installed from below without the need for bulky housing
POE driver compatibility

Installation Not required when using the Driver Enclosure

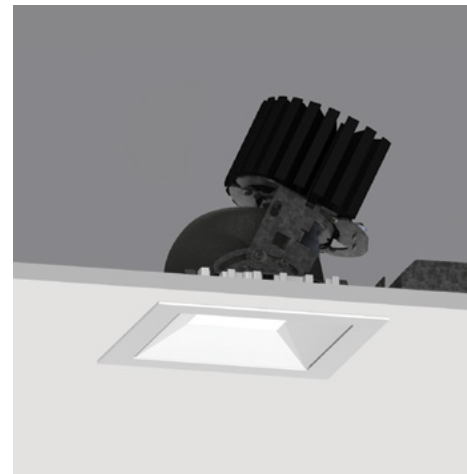
Housing Optional: IC and Chicago plenum
Optional: new construction (with j-box and driver attached)
Optional: Landing pan for use with Driver Enclosure to locate cut-out locations

Warranty 5-year Limited (see complete company warranty information)

Certifications ETL and ETL-C for dry and damp location, CE, Wet Location rated



Recessed Plaster Trim



Recessed Bezel Trim

4" ProTools DLX Adjustable Square Recessed Cone - Narrow

Model	Fixation	Power ^{1,2}	CRI/ CCT ³	Driver ⁴	Cover	Lens	Beam	Finish	Options
WG-100SPTDLX	RPT RBT	L M H XH	927 930 935 940	X S D010 PEQ1 PEQ0 DFPN	SRC	OA MPL RSC	8 (Narrow)	W S ⁵	LP CP IC WL

Model

- WG-100SPTDLX = 4" ProTools DLX Adjustable

Fixation

- RPT = Recessed Plaster Trim
- RBT = Recessed Bezel Trim

Power^{1,2}

- L = Low Power, 4W @ 350mA
- M = Mid Power, 5.8W @ 500mA
- H = High Power, 8.4W @ 700mA
- XH = Extra High Power, 13W @ 1050mA

CRI/CCT³

- 90+ CRI (Low/Mid/High/Extra High)
- 927 = 2700K, (360/480/630/850 lm)
- 930 = 3000K, (380/510/670/910 lm)
- 935 = 3500K, (380/510/670/910 lm)
- 940 = 4000K, (410/560/730/980 lm)

Driver⁴

- X = Remote driver, ordered separately
- S = Standard non-dim driver, 120-277V
- D010 = EldoLED, 1%, 0-10V Driver, 120-277V
- PEQ1 = Lutron Hi-lume 1% EcoSystem, 120-277V
- PEQ0 = Lutron Hi-lume Premier 0.1% EcoSystem, 120-277V
- DFPN = Lutron Forward Phase 1% 120VAC

Cover

- SRC = Square Recessed Cone

Lens

- OA = Open Aperture
- MPL = Micro-prismatic Lens
- RSC = Satin Clear

Beam

- 8 = 8° Beam Angle (Narrow) (TIR Optic)

Finish

- W = White, 15% gloss, RAL9003 (standard)
- S = Silver, 15% gloss⁵

Options

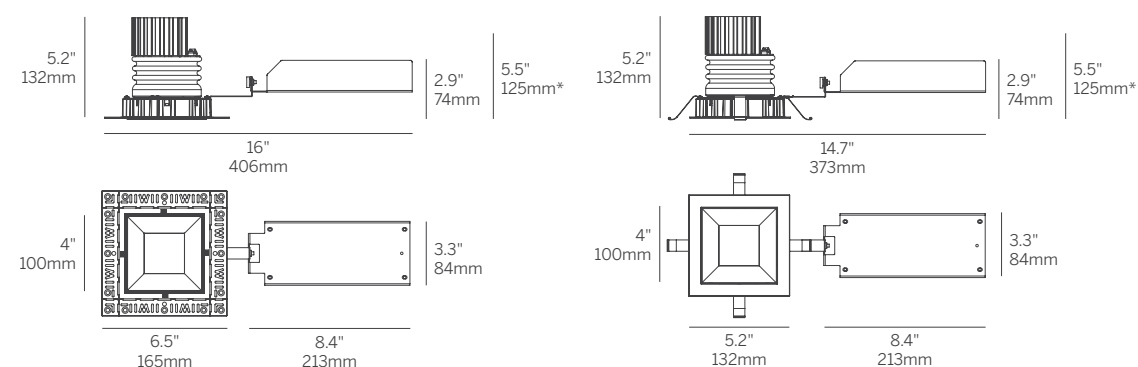
ProTools downlights require no additional options kits for remodel & new construction

- LP = Landing Pan
- CP = Chicago Plenum Housing
- IC = IC/NC Housing
- WL = Wet Location (not available with open aperture)

Optical Accessory Holder

Up to 3 lenses and/or accessories can be added to the Optical Accessory Holder

- HX = Hex Louver
- FG = Frosted Glass
- LS = Linear Spread Lens
- SOL = Solite Lens



*Minimum of 5.5" (127mm) ceiling void is required to install the integral driver from below the ceiling.

technical
information

Whitegoods reserves the right to change any information without prior notice.

Notes

- 1 Other lumen packages available, consult factory.
- 2 Wattage shown does not include power supplies/drivers. System wattage adds 10-20%.
- 3 Source lumens shown.
- 4 See power supply page for details.
- 5 Plaster trim version includes white frame and gray cover.