

4" ProTools DLX Adjustable Round Recessed Cone - Adjustable Beam

Full Featured With Accessory Holder And Ceiling Void Light Leak Hood

- 4" round downlight with 2" light aperture.
- Regressed aperture / lens position provides good glare control.
- 13-48 degree zoom.
- Open aperture.
- No light leak or view into ceiling void from below due to a unique light leak hood.
- Luminaire and driver installed and maintained from below the ceiling.
- Mounts in 1/16" to 1" surface.
- Tunable White and Warm Dim.
- Modular interchangeability throughout the entire ProTools range of products.
- Tilt 45°, rotation 365°, 144 step.

Housing Die-caste aluminum for precision fit and heat dissipation
Mounting hardware for all ceiling types; trim and trimless
EZ clip mounting for secure installation
Snap-in cover
Trimless housing with Quik-Snap feature allows endless multiple combinations without specialized housings

Covers Round recessed cone - low brightness, general illumination

LED 90+ CRI
Low/Mid/High/Extra High output choices
2700K, 3000K, 3500K, 4000K
Tuneable White from 1800K - 4000K
Warm Dim from 1800 - 3000K

Beam 13-48 degree beam spreads (TIR Optic)

Driver Integral and remote drivers for all dimming and non-dimming applications
Through-wire integral driver enclosure installed from below without the need for bulky housing
POE driver compatibility

Installation Not required when using the Driver Enclosure

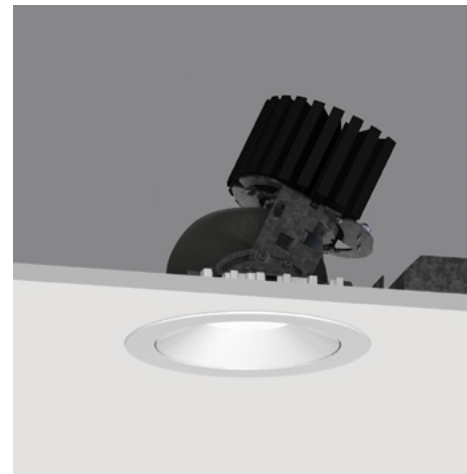
Housing Optional: IC and Chicago plenum
Optional: new construction (with j-box and driver attached)
Optional: Landing pan for use with Driver Enclosure to locate cut-out locations

Warranty 5-year Limited (see complete company warranty information)

Certifications ETL and ETL-C for dry and damp location, CE



Recessed Plaster Trim



Recessed Bezel Trim

4" ProTools DLX Adjustable Round Recessed Cone - Adjustable Beam

Model	Fixation	Power ^{1,2}	CRI/CCT ³	Driver ⁴	Cover	Lens	Beam	Finish	Options
WG-100RPTDLX	RPT RBT	L M H XH TW WD	927 930 935 940 TW WD	X S D010 PEQ1 PEQ0 DFPN TW WD	RRC	OA	13-48 (Zoom)	W S ⁵	LP CP IC

Model
■ WG-100RPTDLX = 4" ProTools DLX Adjustable

Fixation
■ RPT = Recessed Plaster Trim
■ RBT = Recessed Bezel Trim

Power^{1,2}
■ L = Low Power, 5.7W @ 350mA
■ M = Mid Power, 8.4W @ 500mA
■ H = High Power, 12W @ 700mA
■ XH = Extra High Power, 17.8W @ 1050mA
■ TW = 9W @ 500mA
■ WD = 0.4 - 11.8W @ 350mA

CRI/CCT³
90+ CRI (Low/Mid/High/Extra High)
■ 927 = 2700K, (720/999/1344/1884 lm)
■ 930 = 3000K, (775/1075/1447/2027 lm)
■ 935 = 3500K, (775/1075/1447/2027 lm)
■ 940 = 4000K, (830/1151/1549/2171 lm)
■ TW = Tunable White 1800 - 4000K, (610 - 1060 lm)
■ WD = Warm Dimming 1800 - 3000K, (31 - 1150 lm)

Driver⁴
■ X = Remote driver, ordered separately
■ S = Standard non-dim driver, 120-277V
■ D010 = EldoLED, 1%, 0-10V Driver, 120-277V
■ PEQ1 = Lutron Hi-lume 1% EcoSystem, 120-277V
■ PEQ0 = Lutron Hi-lume Premier 0.1% EcoSystem, 120-277V
■ DFPN = Lutron Forward Phase 1% 120VAC
■ TW = EldoLED, 0.1%, DALI dimming (TW), 120-277V
■ WD = EldoLED, 0.1%, 0-10V dimming (WD), 120-277V

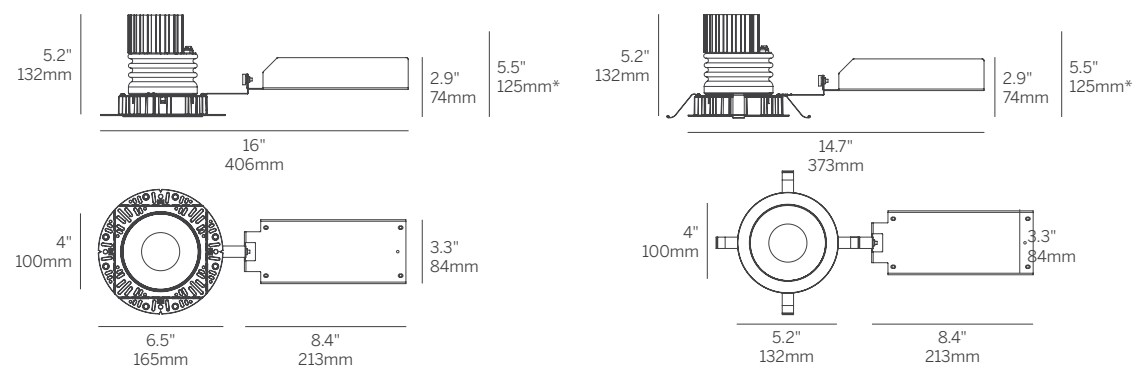
Cover
■ RRC = Round Recessed Cone

Lens
■ OA = Open Aperture

Beam
■ 13-48 = 13-48° Beam Angle (Zoom) (TIR Optic)

Finish
■ W = White, 15% gloss, RAL9003 (standard)
■ S = Silver, 15% gloss⁵

Options
ProTools downlights require no additional options kits for remodel & new construction
■ LP = Landing Pan
■ CP = Chicago Plenum Housing
■ IC = IC/NC Housing



*Minimum of 5.5" (127mm) ceiling void is required to install the integral driver from below the ceiling.

technical information

Whitegoods reserves the right to change any information without prior notice.

- Notes**
- 1 Other lumen packages available, consult factory.
 - 2 Wattage shown does not include power supplies/drivers. System wattage adds 10-20%.
 - 3 Source lumens shown..
 - 4 See power supply page for details.
 - 5 Plaster trim version includes white frame and gray cover.