

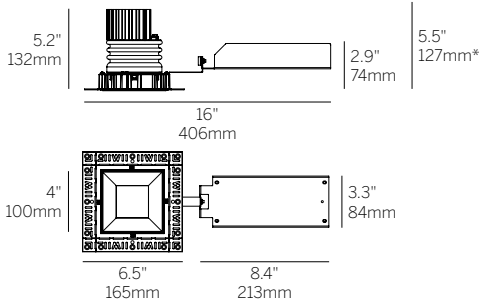
4" ProTools DLX Adjustable Square Recessed Cone - Narrow



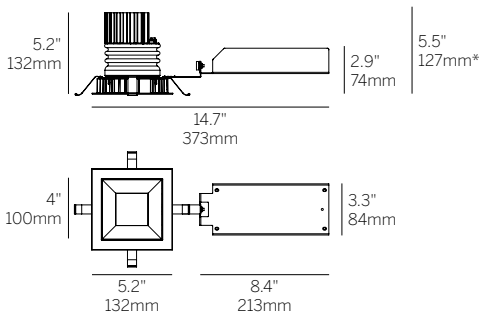
Recessed Plaster Trim



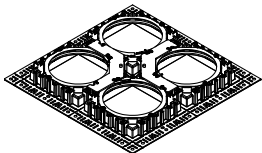
Recessed Bezel Trim



Recessed Plaster Trim (RPT)



Recessed Bezel Trim (RBT)



Multiple luminaire configurations for plaster trim.
See Multiple Luminaire specsheet for details.

*Minimum of 5.5" (127mm) ceiling void is required to install the integral driver from below the ceiling.

Cut Out: \varnothing 4.75" / 121mm

Ordering Information

| WG-100SPTDLX | | | | | SRC | | 8 | | |
|--------------|------------|----------------------|--------------------------|------------------------|-------|------------------|------|---------------------|----------------------|
| Model | Fixation | Power ^{1,2} | CRI/ CCT ³ | Driver | Cover | Lens | Beam | Finish ⁴ | Options ⁵ |
| WG-100SPTDLX | RPT RBT | L M H XH | 927 930 935 940 | X S D010 PEQ0 | SRC | OA MPL RSC | 8 | W S ⁵ | LP CP IC WL |

Luminaire

- 4" square downlight with 2" light aperture.
- Regressed aperture / lens position.
- 35 degree cut-off.
- 8 degree very narrow beam.
- No light leak or view into ceiling void from below due to a unique light leak hood.
- Luminaire and driver installed and maintained from below the ceiling.
- Modular interchangeability throughout the entire ProTools range of products.
- Tilt 45°, rotation 365°, 144 step.
- Multiple luminaire configurations for plaster trim. See Multiple Luminaire specsheet for details.

Fixation

- RPT = Recessed Plaster Trim
- RBT = Recessed Bezel Trim

Power^{1,2}

- L = Low Power, 4W @ 350mA
- M = Mid Power, 5.8W @ 500mA
- H = High Power, 8.4W @ 700mA
- XH = Extra High Power, 13W @ 1050mA

CRI/CCT³

- 90+ CRI (Low/Mid/High/Extra High)
- 927 = 2700K, (360/480/630/850 lm)
 - 930 = 3000K, (380/510/670/910 lm)
 - 935 = 3500K, (380/510/670/910 lm)
 - 940 = 4000K, (410/560/730/980 lm)

Driver

- X = Remote driver, ordered separately
- S = Standard non-dim driver, 120-277V
- D010 = EldoLED, 1%, 0-10V Driver, 120-277V
- PEQ0 = Lutron Hi-lume Premier 0.1% EcoSystem, SoftOn/FadeToBlack, 120-277V

Cover

- SRC = Square Recessed Cone

Lens

- OA = Open Aperture
- MPL = Micro-prismatic Lens
- RSC = Satin Clear

Beam

- 8 = 8° Beam Angle (TIR optic)

Finish⁴

- W = White, 15% gloss, Tiger Drylac 49/11350 (standard)
- S = Silver, 15% gloss, Tiger Drylac 49/90500⁵

Options⁶

ProTools downlights require no additional options kits for remodel & new construction

- LP = Landing Pan
- CP = Chicago Plenum Housing
- IC = IC/NC Housing
- WL = Wet Location (not available with open aperture)

Optical Accessory Holder (Check up to 3 lenses and/or accessories below)

- HX = Hex Louver
- FG = Frosted Glass
- LS = Linear Spread Lens
- SOL = Solite Lens

¹ Other lumen packages available, consult factory.

² Wattage shown does not include power supplies/drivers. System wattage adds 10-20%.

³ Source lumens shown.

⁴ See Tiger Drylac color chart: inter-lux.com/tiger

⁵ Plaster trim version includes white frame and silver cover.

⁶ To specify multiple options, select the appropriate grouped codes from the dropdown e.g. LP-WL.