

4" ProTools DLX Adjustable Square Recessed Cone - Adjustable Beam

Zoom Beam With Pan And Tilt Adjustment From
Regressed Source And Ceiling Void Light Leak Hood

- 4" square downlight with 2" light aperture.
- Regressed aperture / lens position provides good glare control.
- 13-48 degree zoom.
- Open aperture.
- No light leak or view into ceiling void from below due to a unique light leak hood.
- Luminaire and driver installed and maintained from below the ceiling.
- Mounts in 1/16" to 1" surface.
- Tunable White and Warm Dim.
- Modular interchangeability throughout the entire ProTools range of products.
- Tilt 45°, rotation 365°, 144 step.

Housing Die-cast aluminum for precision fit and heat dissipation
Mounting hardware for all ceiling types; trim and trimless
EZ clip mounting for secure installation
Snap-in cover
Trimless housing with Quick-Snap feature allows endless multiple combinations without specialized housings

Covers Square recessed cone - low brightness, general illumination

LED 90+ CRI
Low/Mid/High/Extra High output choices
2700K, 3000K, 3500K, 4000K
Tunable White from 1800K - 4000K
Warm Dim from 1800 - 3000K

Beam 13-48 degree beam spreads (TIR Optic)

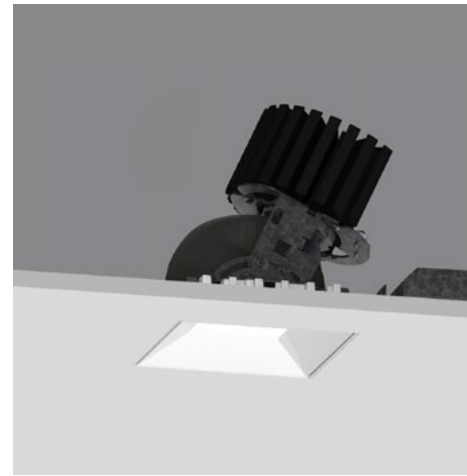
Driver Integral and remote drivers for all dimming and non-dimming applications
Through-wire integral driver enclosure installed from below without the need for bulky housing
POE driver compatibility

Installation Not required when using the Driver Enclosure

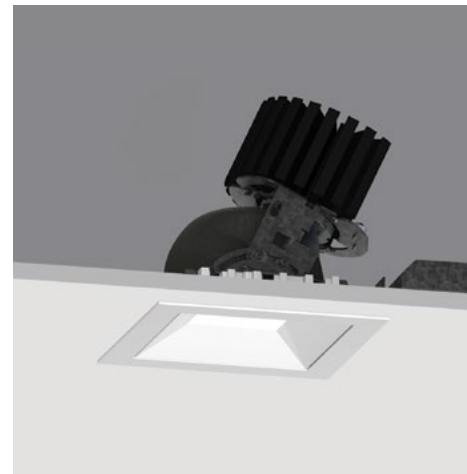
Housing Optional: IC and Chicago plenum
Optional: new construction (with j-box and driver attached)
Optional: Landing pan for use with Driver Enclosure to locate cut-out locations

Warranty 5-year Limited (see complete company warranty information)

Certifications ETL and ETL-C for dry and damp location, CE



Recessed Plaster Trim



Recessed Bezel Trim

4" ProTools DLX Adjustable Square Recessed Cone - Adjustable Beam

Model	Fixation	Power ^{1,2}	CRI/ CCT ⁴	Driver ⁵	Cover	Lens	Beam	Finish ⁶	Options
WG-100SPTDLX	RPT RBT	L M H XH TW WD ³	927 930 935 940 TW WD ³	X S D010 PEQO TW	SRC	OA	13-48 (Zoom)	W S ⁷	LP CP IC

Model

- WG-100SPTDLX = 4" ProTools DLX Adjustable

Fixation

- RPT = Recessed Plaster Trim
- RBT = Recessed Bezel Trim

Power^{1,2}

- L = Low Power, 5.7W @ 350mA
- M = Mid Power, 8.4W @ 500mA
- H = High Power, 12W @ 700mA
- XH = Extra High Power, 17.8W @ 1050mA
- TW = 9W @ 500mA
- WD = 0.4 - 11.8W @ 350mA³

CRI/CCT⁴

- 90+ CRI (Low/Mid/High/Extra High)
- 927 = 2700K, (720/999/1344/1884 lm)
- 930 = 3000K, (775/1075/1447/2027 lm)
- 935 = 3500K, (775/1075/1447/2027 lm)
- 940 = 4000K, (830/1151/1549/2171 lm)
- TW = Tunable White 1800 - 4000K, (610 - 1060 lm)
- WD = Warm Dimming 1800 - 3000K, (31 - 1150 lm)³

Driver⁵

- X = Remote driver, ordered separately
- S = Standard non-dim driver, 120-277V
- D010 = EldoLED, 1%, 0-10V Driver, 120-277V
- PEQO = Lutron Hi-lume Premier 0.1% EcoSystem, SoftOn/FadeToBlack, 120-277V
- TW = EldoLED, 0.1%, DALI dimming (TW), 120-277V

Cover

- SRC = Square Recessed Cone

Lens

- OA = Open Aperture

Beam

- 13-48 = 13-48° Beam Angle (Zoom) (TIR Optic)

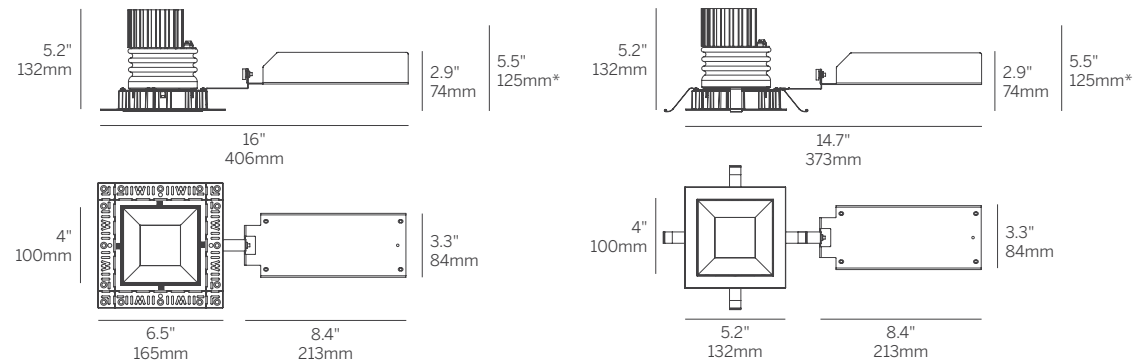
Finish⁶

- W = White, 15% gloss, Tiger Drylac 49/11350 (standard)
- S = Silver, 15% gloss, Tiger Drylac49/90500⁷

Options

ProTools downlights require no additional options kits for remodel & new construction

- LP = Landing Pan (specify for Acoustic Ceiling Tile installation)
- CP = Chicago Plenum Housing
- IC = IC/NC Housing



*Minimum of 5.5" (127mm) ceiling void is required to install the integral driver from below the ceiling.

technical
information

Whitegoods reserves the right to change any information without prior notice.

Notes

- 1 Other lumen packages available, consult factory.
- 2 Wattage shown does not include power supplies/drivers. System wattage adds 10-20%.
- 3 Source lumens shown.
- 4 See power supply page for details.
- 5 See Tiger Drylac color chart: inter-lux.com/tiger
- 6 Plaster trim version includes white frame and gray cover.