

# WAND 20 Linear



whitegoods  
Wand



### Luminaire

- Standard Opal Diffuser for even illumination and no LED appearance.
- Field replaceable LED boards.
- 90+ CRI, 3 steps MacAdam.
- White finish standard.
- On / Off switch with 118" cable and plug, standard.

### Fixation

- MM = Magnetic mounting

### Type

- S = Straight run

### Length

- 29.5 = 29.5"
- (Total length includes 1" for switch, requires 1" clearance for cable)

### Power<sup>1</sup>

- M = 6.4W/ft mid power (24V)

### CRI/CCT<sup>2</sup>

- 90+ CRI (Mid Power)
- 930 = 3000K (359 lm/ft)
  - 935 = 3500K (366 lm/ft)

### Driver (remote)<sup>3</sup>

- S = Standard non-dim driver

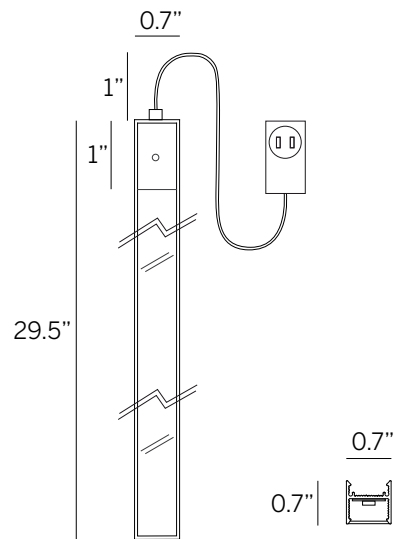
### Lens

- OD = Satin opal diffuser (standard)
- SD = Satin clear diffuser (high efficiency)
- NL16 = Linear narrow lens, 16 degree
- LL45W = Linear louver white
- LL45B = Linear louver black
- LL45CT = Linear louver clear translucent
- ROD = Round opal diffuser

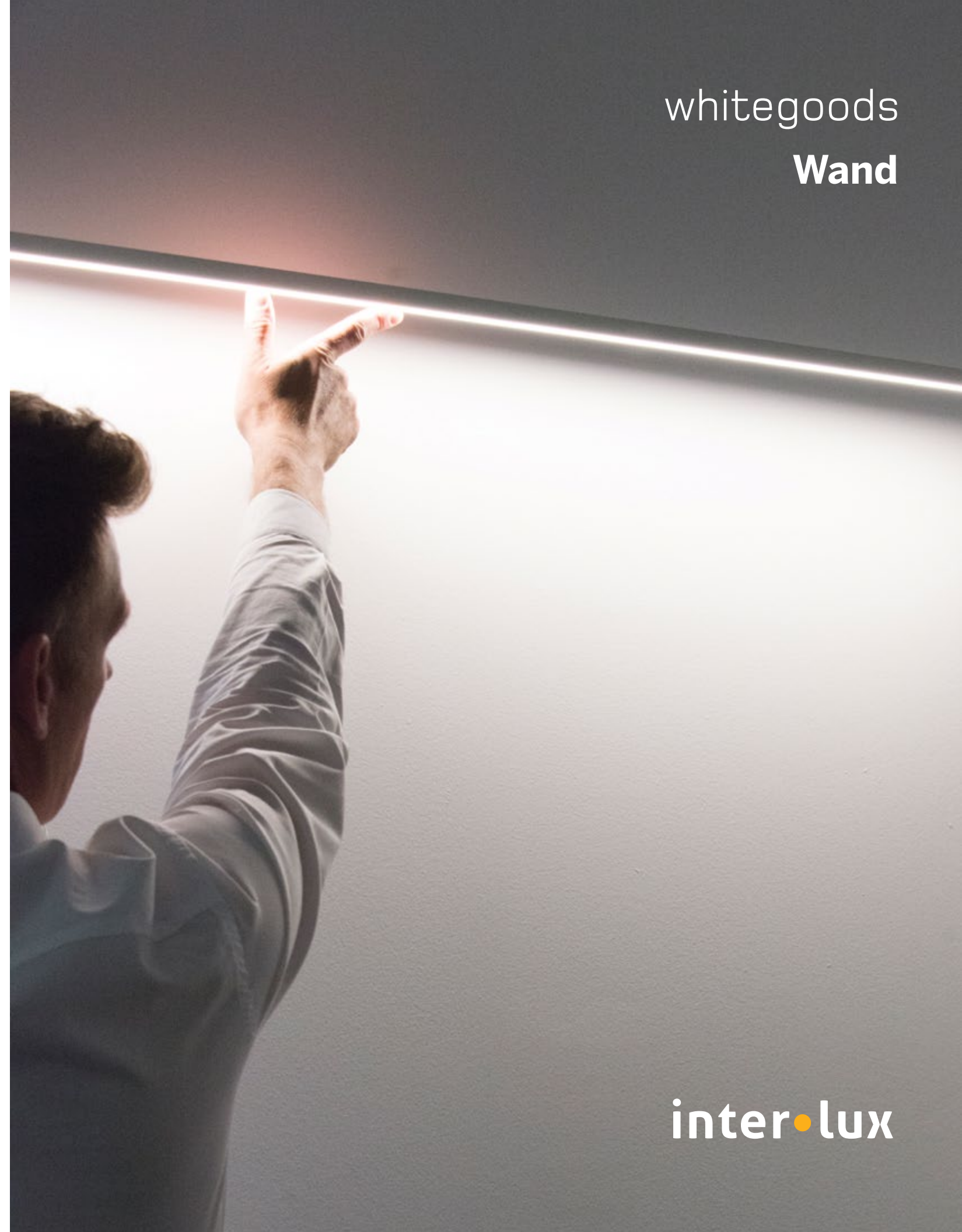
### Finish

- W = White, 20% gloss, RAL9010 (standard)

- 1 Wattage shown does not include power supplies/drivers.
- 2 Delivered lumens with opal diffuser shown.
- 3 24V fixture supplied complete with individual socket mount power supply 120-240V, 50-60 Hz and feed cable.



Ordering Information								
Model	Fixation	Type	Length	Power <sup>1</sup>	CRI/CCT <sup>2</sup>	Driver <sup>3</sup>	Lens	Finish
WG-WAND	MM	S	29.5	M	930 935	S	OD (std) SD NL16 LL45W LL45B LL45CT ROD	W (std)

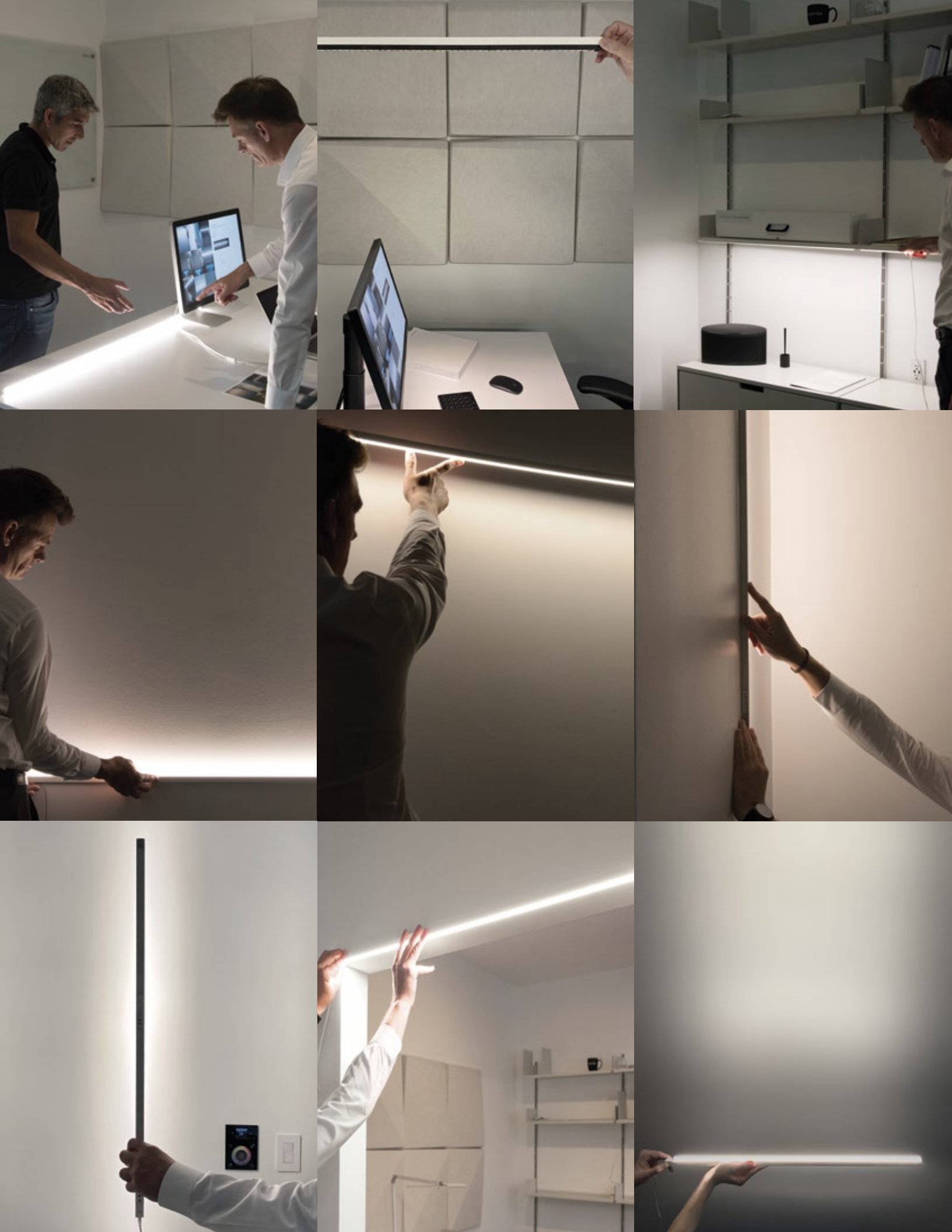


whitegoods

410 381 1497 inter-lux.com answers@inter-lux.com  
Inter-lux reserves the right to make technical changes without notice.



inter•lux



## Introducing the Whitegoods Wand

We developed the Wand to allow specifiers to see for themselves just how flexible and multitasked the 20 Linear range really is.

Direct it up, down, vertically, horizontally, adjacent to a wall, the floor, a frosted panel or tuck it under a shelf. You'll soon find this is an indispensable tool for mocking up your ideas with light.

The Whitegoods Wand is provided with plenty of cable, a simple plug top driver, magnets to snap to metal surfaces, and multiple lens options.

