



WARNING:

INSTALL PRODUCT IN ACCORDANCE WITH LOCAL AND NATIONAL ELECTRICAL CODES BY A QUALIFIED ELECTRICIAN.



WARNING:

FAILURE TO COMPLY WITH THE INSTALLATION INSTRUCTIONS MAY RESULT IN DEATH OR SERIOUS INJURY.



WARNING:

READ ALL SAFETY INSTRUCTIONS INCLUDED WITH LUMINAIRE BEFORE INSTALLING LUMINAIRE. SAVE INSTRUCTIONS FOR FUTURE USE.

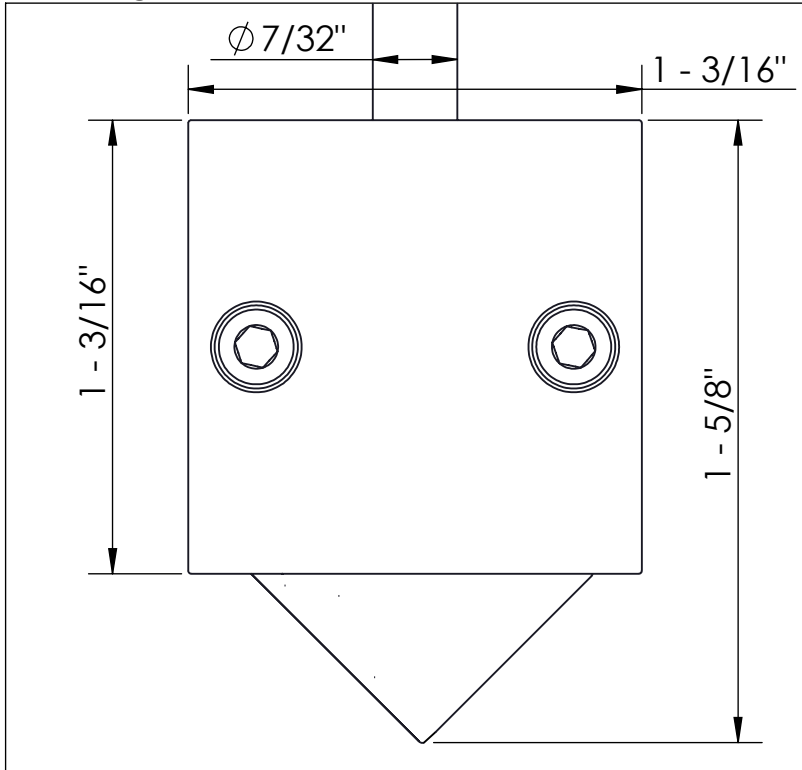
CAUTION:

THIS IS AN ELECTRONIC DEVICE. CARE MUST BE TAKEN DURING STORAGE AND HANDLING. STORE IN A CLEAN, COOL AND DRY LOCATION. ELECTROSTATIC DISCHARGE (ESD) CAN HARM THIS PRODUCT. AVOID STATIC DISCHARGE WHILE HANDLING THIS PRODUCT.

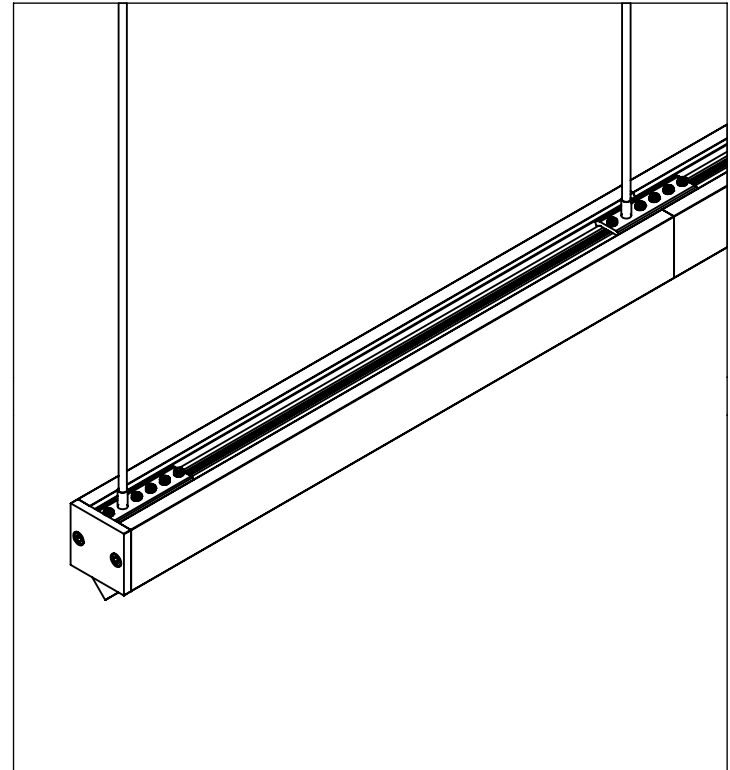
CAUTION:

INTER-LUX IS NOT RESPONSIBLE FOR THE STRUCTURAL INTEGRITY OF THE BUILDING TO SUPPORT THE LUMINAIRE. ADDITIONAL BACKING MAY BE REQUIRED.

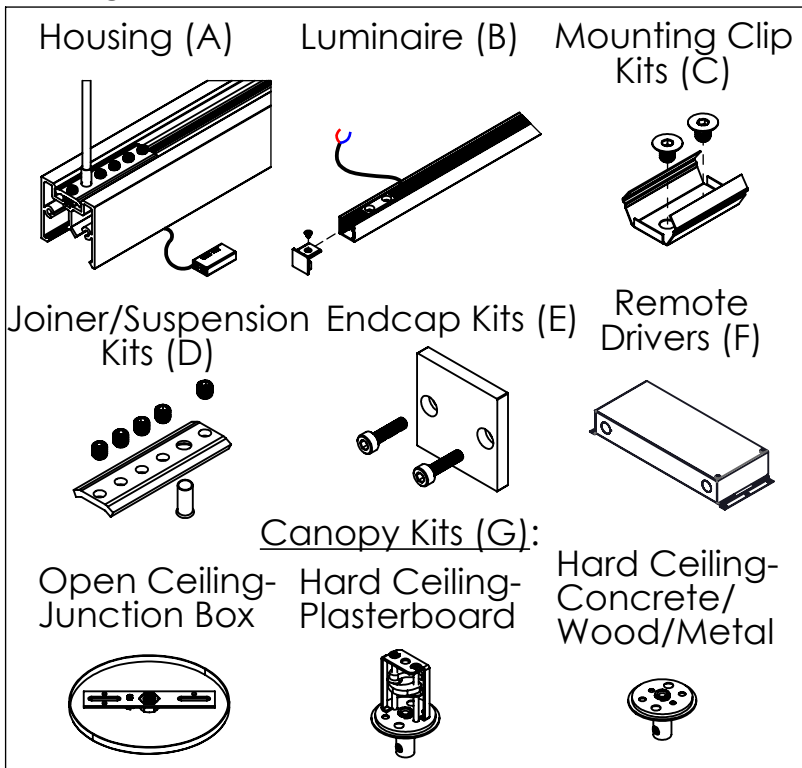
Mounting Dimensions



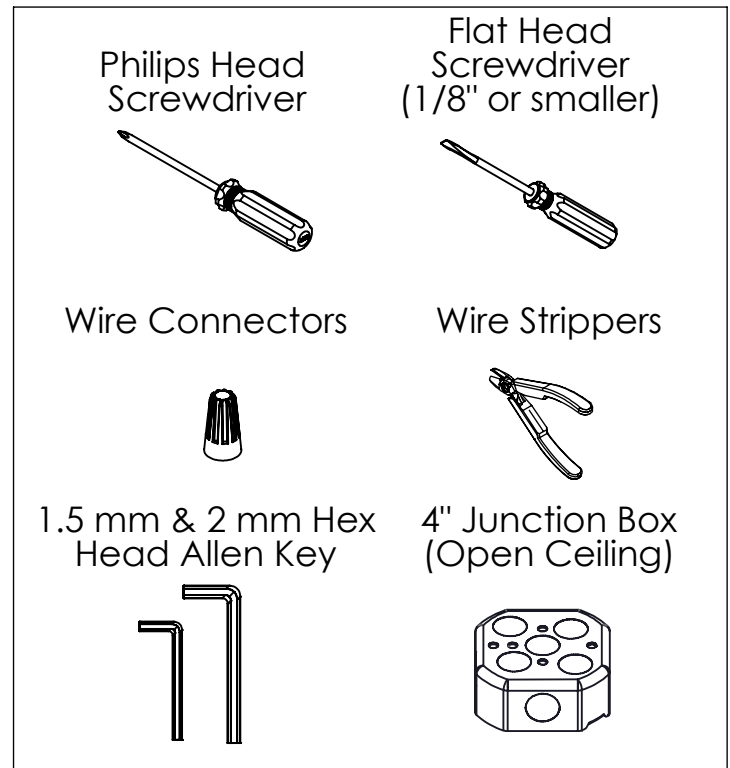
Isometric View



Package Includes



Items needed (not included)



WARNING:
INSTALL PRODUCT IN ACCORDANCE WITH LOCAL AND NATIONAL ELECTRICAL CODES BY A QUALIFIED ELECTRICIAN.

WARNING:
FAILURE TO COMPLY WITH THE INSTALLATION INSTRUCTIONS MAY RESULT IN DEATH OR SERIOUS INJURY.

WARNING:
READ ALL SAFETY INSTRUCTIONS INCLUDED WITH LUMINAIRE BEFORE INSTALLING LUMINAIRE. SAVE INSTRUCTIONS FOR FUTURE USE.

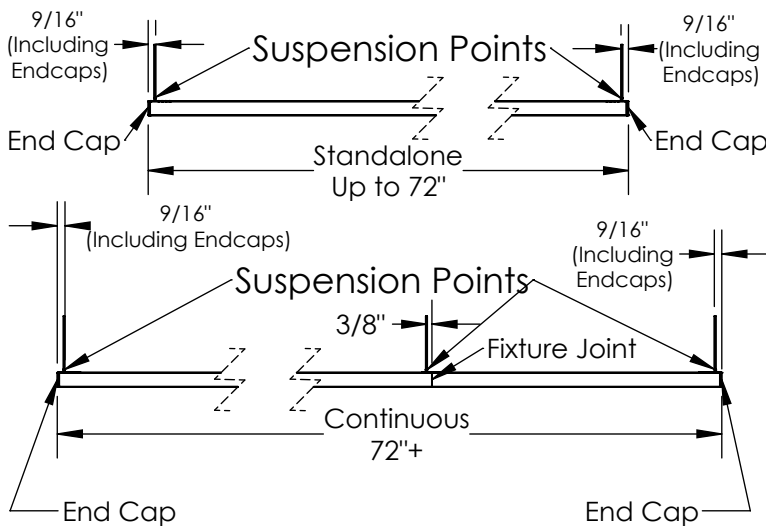
CAUTION:
THIS IS AN ELECTRONIC DEVICE. CARE MUST BE TAKEN DURING STORAGE AND HANDLING. STORE IN A CLEAN, COOL AND DRY LOCATION. ELECTROSTATIC DISCHARGE (ESD) CAN HARM THIS PRODUCT. AVOID STATIC DISCHARGE WHILE HANDLING THIS PRODUCT.

CAUTION:
INTER-LUX IS NOT RESPONSIBLE FOR THE STRUCTURAL INTEGRITY OF THE BUILDING TO SUPPORT THE LUMINAIRE. ADDITIONAL BACKING MAY BE REQUIRED.

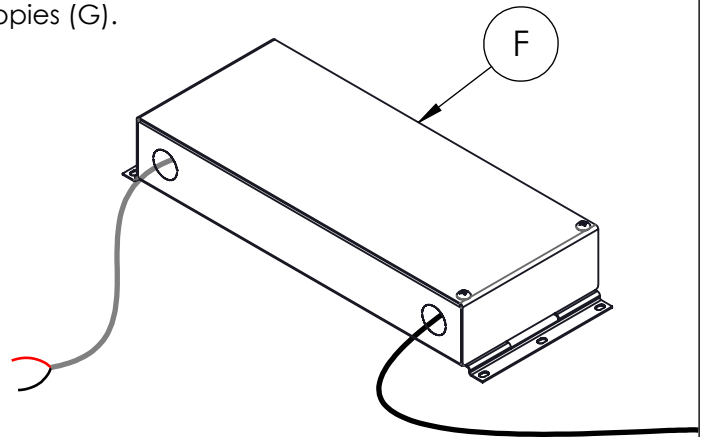
INSTALLATION INSTRUCTIONS

LOCATE AND REVIEW ANY CONSTRUCTION PLANS AND INTER-LUX RECORD DRAWINGS FOR ALL FIXTURE RUNS. IT IS RECOMMENDED TO LOCATE AND LAY OUT ALL COMPONENTS FOR EACH FIXTURE "RUN". A FIXTURE RUN TYPICALLY CONSISTS OF JOINERS, LENGTHS OF HOUSING, AND ENDCAPS. BE SURE TO IDENTIFY ALL CORRECT LENGTHS FOR EACH FIXTURE RUN.

Step 1; Prepare Ceiling: Turn off Main Power before Installing. Mark the ceiling at the intended mounting locations and cut out appropriate sized cavities (*See Step 3*) to accommodate Canopies (G). See Diagram below.



Step 2; Install Remote Drivers: Install and Mount driver boxes (F) per construction plans. Wire high voltage power feeds, and dimming/control leads if applicable. See wiring diagram on page 5 if needed. Finally, run low voltage cables to the intended position(s) of the Canopies (G).



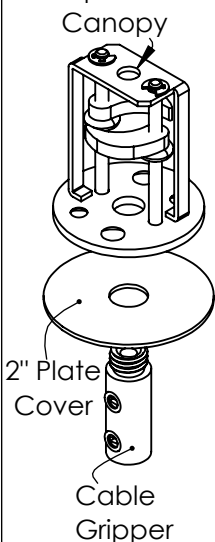
Step 3; Canopy Installation:

Install the Canopies (G) that have been selected. Options and their functions are shown below.

Note: For non-accessible ceilings, make electrical connections before installing canopies (refer to step 8).

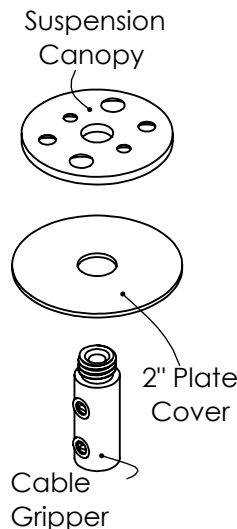
Hard Ceiling Canopy - Plasterboard

Suspension Canopy Max Ceiling thickness of 1 3/8"



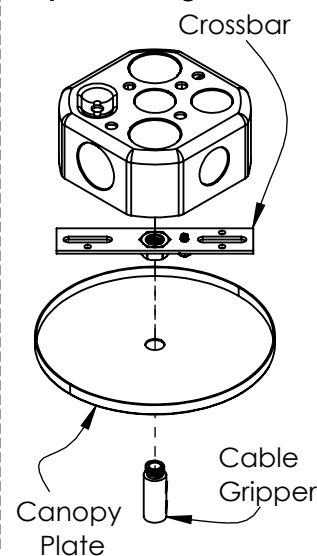
- Cut out a 1-1/4" hole at previously marked suspension points.
- Fasten cable gripper to the canopy plate.
- Secure the canopy to the ceiling by tightening the captive screws. This will lower and lock the claws onto the ceiling.
- Slide the plate cover and cable gripper up and screw into mount.

Hard Ceiling Canopy - Concrete/Wood/Metal



- Drill a hole for the power feed cable or be sure conduit is in place for installation. Drill another hole (0.5") in ceiling to clear cable gripper.
- Fasten cable gripper to the plate cover.
- Mount the canopy to the ceiling using appropriate hardware (not included).
- Slide the plate cover and cable holder up and screw into mount.

Open Ceiling/Junction Box Canopy



- Fasten the crossbar to the Junction box using the appropriate screws in the slots.
- Insert the threaded end of the cable gripper into the center hole of the canopy plate and screw into the center threaded hole of the crossbar.

WARNING:
INSTALL PRODUCT IN ACCORDANCE WITH LOCAL AND NATIONAL ELECTRICAL CODES BY A QUALIFIED ELECTRICIAN.

WARNING:
FAILURE TO COMPLY WITH THE INSTALLATION INSTRUCTIONS MAY RESULT IN DEATH OR SERIOUS INJURY.

WARNING:
READ ALL SAFETY INSTRUCTIONS INCLUDED WITH LUMINAIRE BEFORE INSTALLING LUMINAIRE. SAVE INSTRUCTIONS FOR FUTURE USE.

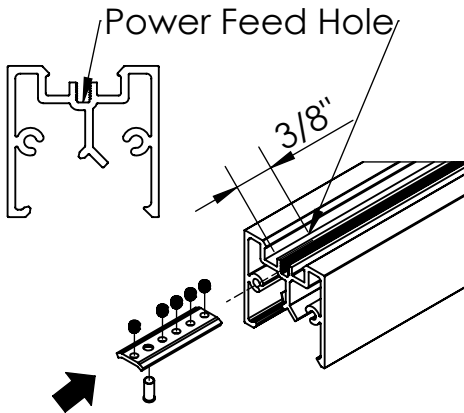
CAUTION:
THIS IS AN ELECTRONIC DEVICE. CARE MUST BE TAKEN DURING STORAGE AND HANDLING. STORE IN A CLEAN, COOL AND DRY LOCATION. ELECTROSTATIC DISCHARGE (ESD) CAN HARM THIS PRODUCT. AVOID STATIC DISCHARGE WHILE HANDLING THIS PRODUCT.

CAUTION:
INTER-LUX IS NOT RESPONSIBLE FOR THE STRUCTURAL INTEGRITY OF THE BUILDING TO SUPPORT THE LUMINAIRE. ADDITIONAL BACKING MAY BE REQUIRED.

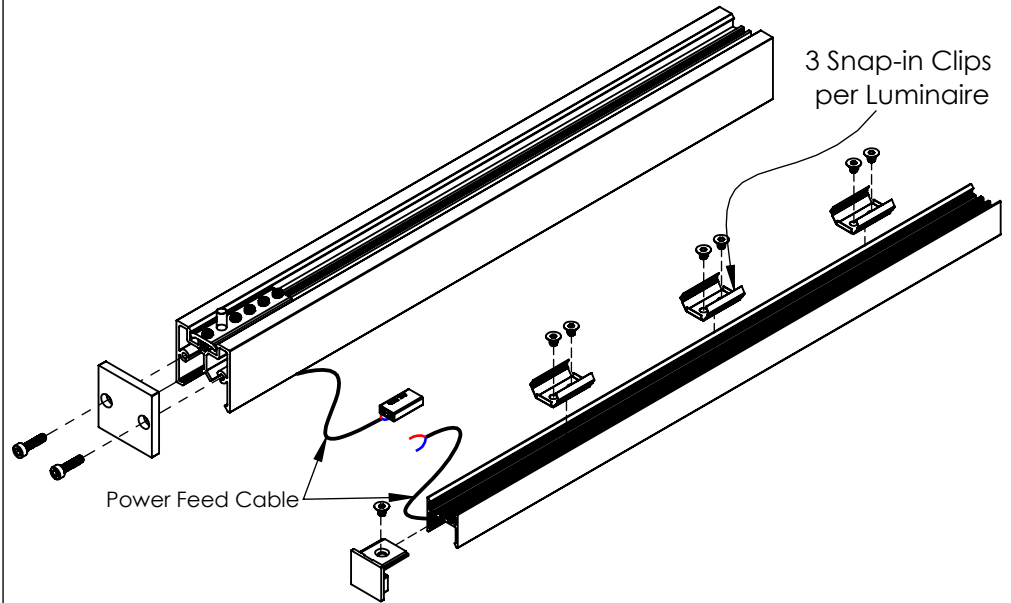
INSTALLATION INSTRUCTIONS

LOCATE AND REVIEW ANY CONSTRUCTION PLANS AND INTER-LUX RECORD DRAWINGS FOR ALL FIXTURE RUNS. IT IS RECOMMENDED TO LOCATE AND LAY OUT ALL COMPONENTS FOR EACH FIXTURE "RUN". A FIXTURE RUN TYPICALLY CONSISTS OF JOINERS, LENGTHS OF HOUSING, AND ENDCAPS. BE SURE TO IDENTIFY ALL CORRECT LENGTHS FOR EACH FIXTURE RUN.

Step 4; Prepare Housings: 1/4" diameter power feed holes drilled in Housing(s) (A) as shown below (3/8" from the end). Joiners slid into ends of Housing(s) (A) that will make up the joints of a continuous run (*See Step 3*).

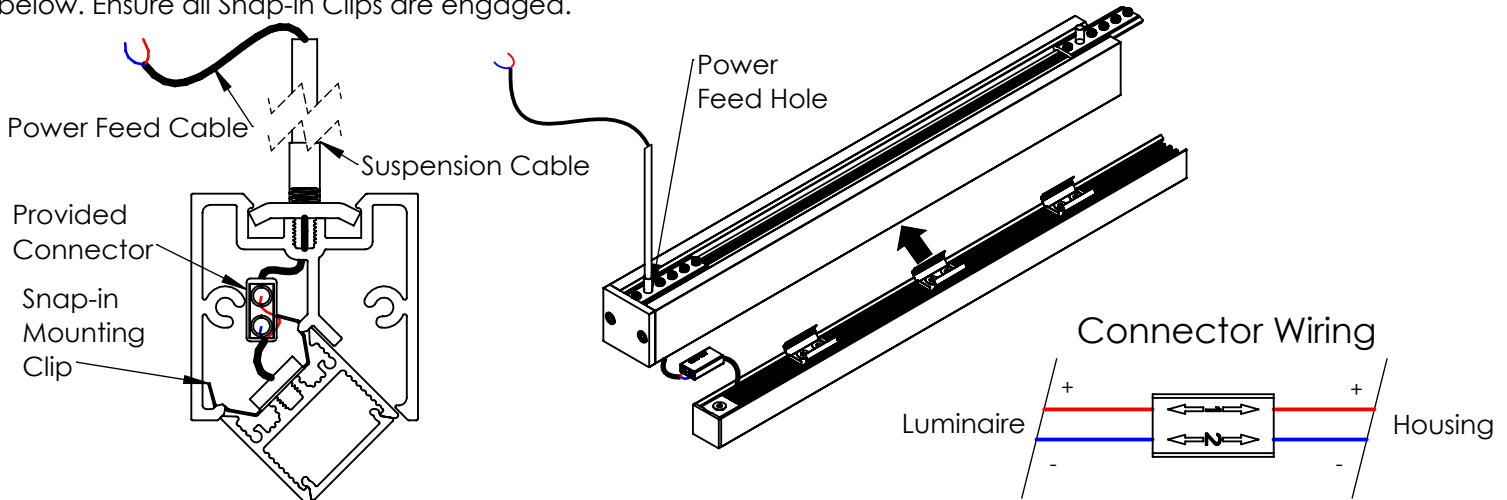


Step 5; Install Mounting Hardware: Install End Caps onto appropriate stand alone or end of run Housings (A). Install Snap-in Clips onto Luminaires (B). Install End Caps onto Luminaires (B) if required.



Step 6; Layout Review: Review layout to ensure all power feed holes are drilled and hardware is installed correctly to allow assembly of the entire installation. Inter-lux is not responsible for product failure due to incorrect installation.

Step 7; Install Luminaires: Connect Luminaire (B) power feed cables to powered suspension cables using provided connector. Then install assembled Luminaires (B) into Housings (A) using Snap-in Mounting Clips as shown below. Ensure all Snap-in Clips are engaged.



WARNING:
INSTALL PRODUCT IN ACCORDANCE WITH LOCAL AND NATIONAL ELECTRICAL CODES BY A QUALIFIED ELECTRICIAN.

WARNING:
FAILURE TO COMPLY WITH THE INSTALLATION INSTRUCTIONS MAY RESULT IN DEATH OR SERIOUS INJURY.

WARNING:
READ ALL SAFETY INSTRUCTIONS INCLUDED WITH LUMINAIRE BEFORE INSTALLING LUMINAIRE. SAVE INSTRUCTIONS FOR FUTURE USE.

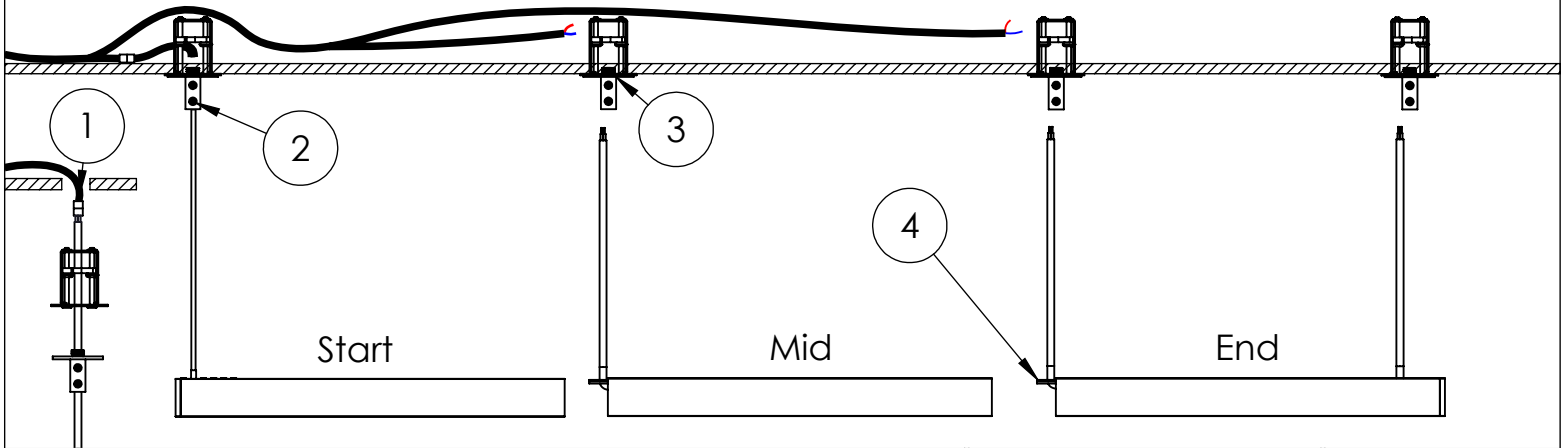
CAUTION:
THIS IS AN ELECTRONIC DEVICE. CARE MUST BE TAKEN DURING STORAGE AND HANDLING. STORE IN A CLEAN, COOL AND DRY LOCATION. ELECTROSTATIC DISCHARGE (ESD) CAN HARM THIS PRODUCT. AVOID STATIC DISCHARGE WHILE HANDLING THIS PRODUCT.

CAUTION:
INTER-LUX IS NOT RESPONSIBLE FOR THE STRUCTURAL INTEGRITY OF THE BUILDING TO SUPPORT THE LUMINAIRE. ADDITIONAL BACKING MAY BE REQUIRED.

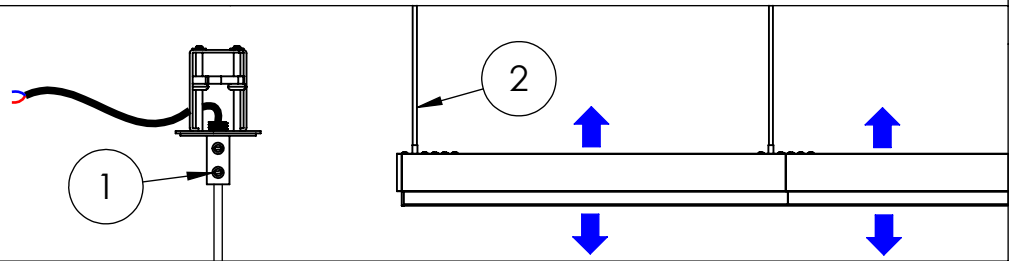
INSTALLATION INSTRUCTIONS

LOCATE AND REVIEW ANY CONSTRUCTION PLANS AND INTER-LUX RECORD DRAWINGS FOR ALL FIXTURE RUNS. IT IS RECOMMENDED TO LOCATE AND LAY OUT ALL COMPONENTS FOR EACH FIXTURE "RUN". A FIXTURE RUN TYPICALLY CONSISTS OF JOINERS, LENGTHS OF HOUSING, AND ENDCAPS. BE SURE TO IDENTIFY ALL CORRECT LENGTHS FOR EACH FIXTURE RUN.

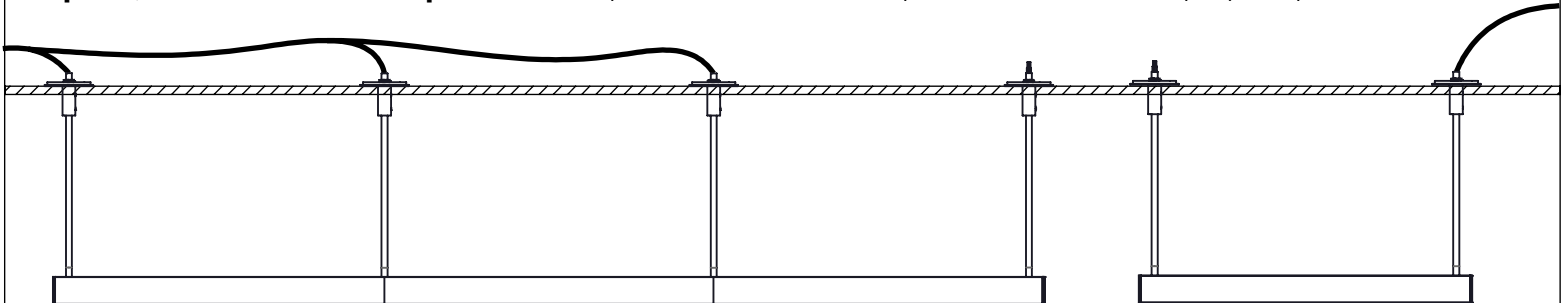
Step 8; Install Housings: Bring Powered Suspension Cable up from housing and through installed canopy and make connection with Low Voltage cables from Remote Driver (F) (1). Secure suspension cable with cable gripper screws (2) once the fixture reaches its desired height. Next, bring up the second Housing (A) in the run and install second Powered Suspension Cable identically to the previous fixture (3). Housings (A) can be connected with Joiners before Canopy (G) installation or after; be prepared to compensate for bending forces on Joiners while installing (4). Repeat this process until all Housings (A) of the run are installed.



Step 9; Adjust Height: Ensure all fixtures hang at the same height by adjusting the cable gripper screws (1) in the canopy. Loosen the screws, let out or pull in suspension cable (2) to proper length, then tighten the screws again.



Step 10; Installation Complete: Once products are installed, power and check for proper operation.



Continuous Run

Standalone

WARNING:
INSTALL PRODUCT IN ACCORDANCE WITH LOCAL AND NATIONAL ELECTRICAL CODES BY A QUALIFIED ELECTRICIAN.

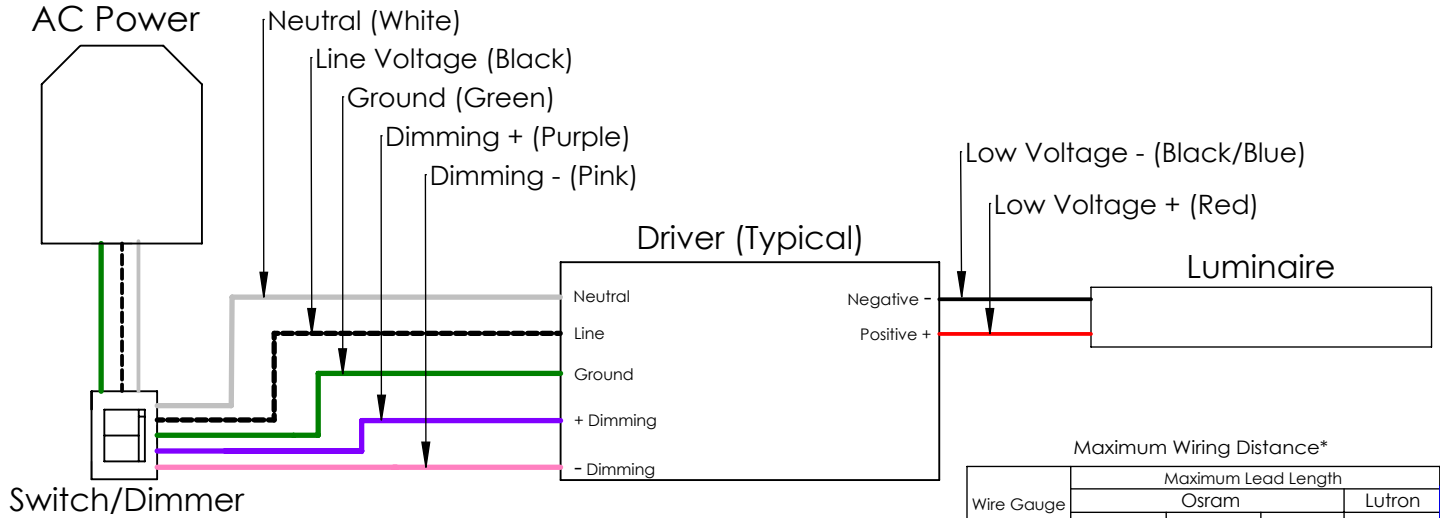
WARNING:
FAILURE TO COMPLY WITH THE INSTALLATION INSTRUCTIONS MAY RESULT IN DEATH OR SERIOUS INJURY.

WARNING:
READ ALL SAFETY INSTRUCTIONS INCLUDED WITH LUMINAIRE BEFORE INSTALLING LUMINAIRE. SAVE INSTRUCTIONS FOR FUTURE USE.

CAUTION:
THIS IS AN ELECTRONIC DEVICE. CARE MUST BE TAKEN DURING STORAGE AND HANDLING. STORE IN A CLEAN, COOL AND DRY LOCATION. ELECTROSTATIC DISCHARGE (ESD) CAN HARM THIS PRODUCT. AVOID STATIC DISCHARGE WHILE HANDLING THIS PRODUCT.

CAUTION:
INTER-LUX IS NOT RESPONSIBLE FOR THE STRUCTURAL INTEGRITY OF THE BUILDING TO SUPPORT THE LUMINAIRE. ADDITIONAL BACKING MAY BE REQUIRED.

Wiring Key



Red	Blue/Black	Green	Black	White	Purple	Pink
Positive	Negative	Ground	Line	Neutral	Dimming +	Dimming -

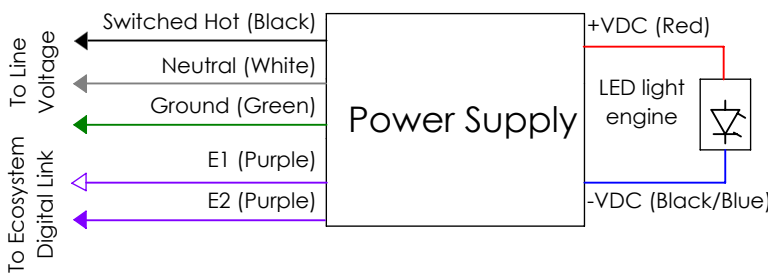
Maximum Wiring Distance*

Wire Gauge	Maximum Lead Length			
	Osram		Lutron	
	≤ 48W	≤ 72W	≤ 96W	≤ 40W
#18AWG	37'	25'	18'	15'
#16AWG	59'	39'	29'	25'
#14AWG	95'	63'	47'	40'
#12AWG	151'	101'	75'	60'

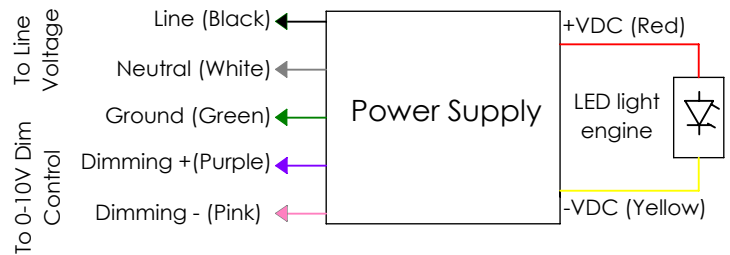
*Actual Voltage drop to be calculated by installer

Driver Wiring Diagrams

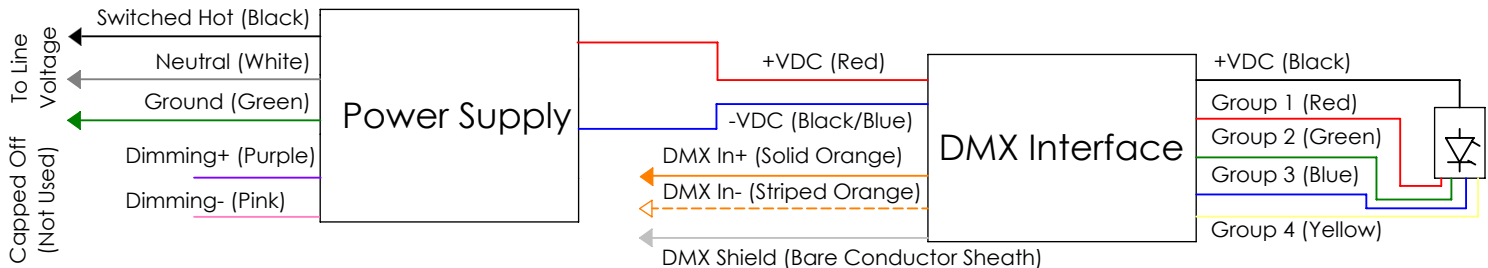
L3DAE 1%/L3D0E 0.1% Dimming



0-10V Dimming



DMX



NOTE: ALL SHOWN DRIVERS ARE INTER-LUX PROVIDED. FOR NON INTER-LUX PROVIDED DRIVERS PLEASE REFER TO DRIVER MANUFACTURERS. THE USE OF NON INTER-LUX PROVIDED DRIVERS VOIDS PRODUCT WARRANTY.