



WARNING:

INSTALL PRODUCT IN ACCORDANCE WITH LOCAL AND NATIONAL ELECTRICAL CODES BY A QUALIFIED ELECTRICIAN.



WARNING:

FAILURE TO COMPLY WITH THE INSTALLATION INSTRUCTIONS MAY RESULT IN DEATH OR SERIOUS INJURY.



WARNING:

READ ALL SAFETY INSTRUCTIONS INCLUDED WITH LUMINAIRE BEFORE INSTALLING LUMINAIRE. SAVE INSTRUCTIONS FOR FUTURE USE.

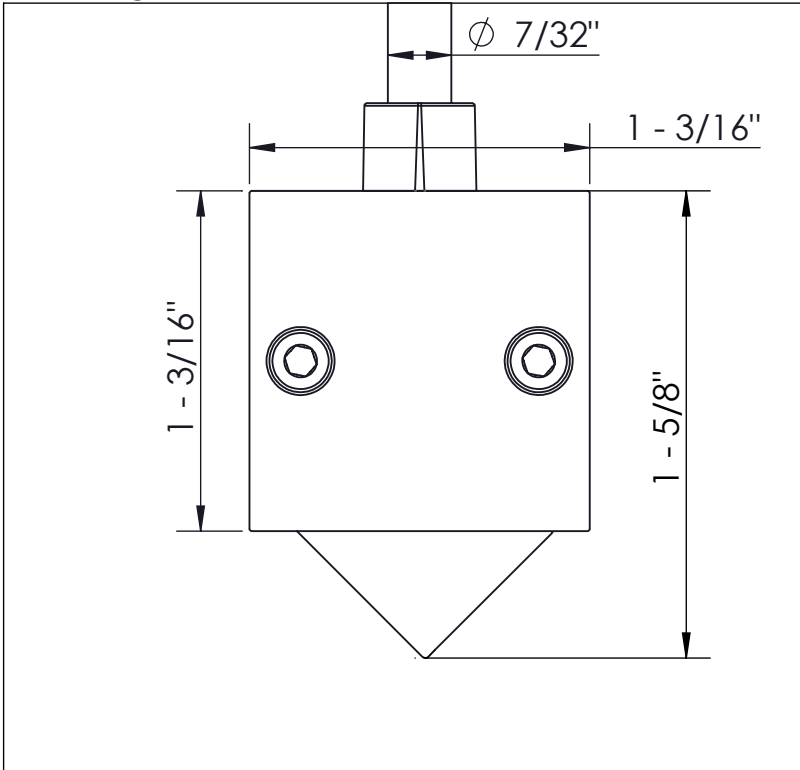
CAUTION:

THIS IS AN ELECTRONIC DEVICE. CARE MUST BE TAKEN DURING STORAGE AND HANDLING. STORE IN A CLEAN, COOL AND DRY LOCATION. ELECTROSTATIC DISCHARGE (ESD) CAN HARM THIS PRODUCT. AVOID STATIC DISCHARGE WHILE HANDLING THIS PRODUCT.

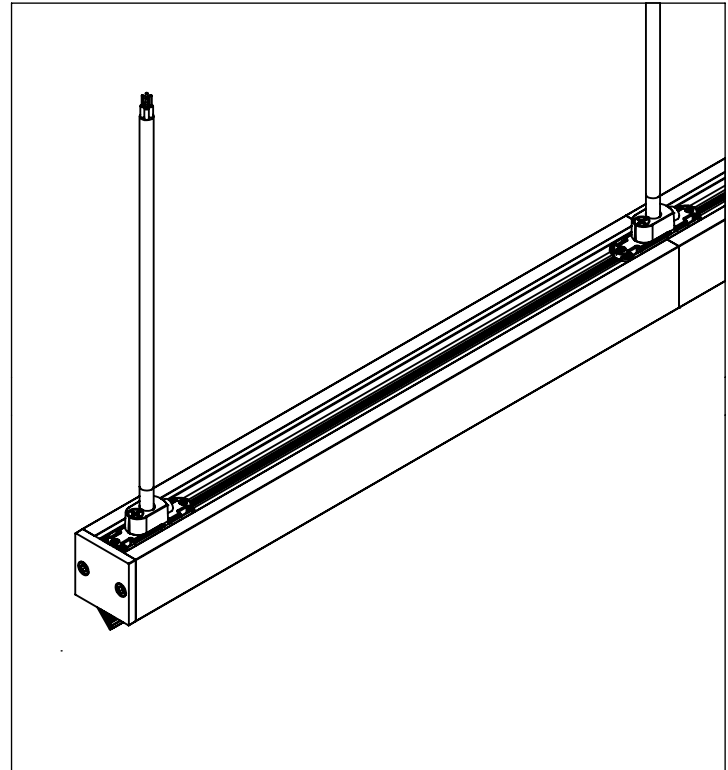
CAUTION:

INTER-LUX IS NOT RESPONSIBLE FOR THE STRUCTURAL INTEGRITY OF THE BUILDING TO SUPPORT THE LUMINAIRE. ADDITIONAL BACKING MAY BE REQUIRED.

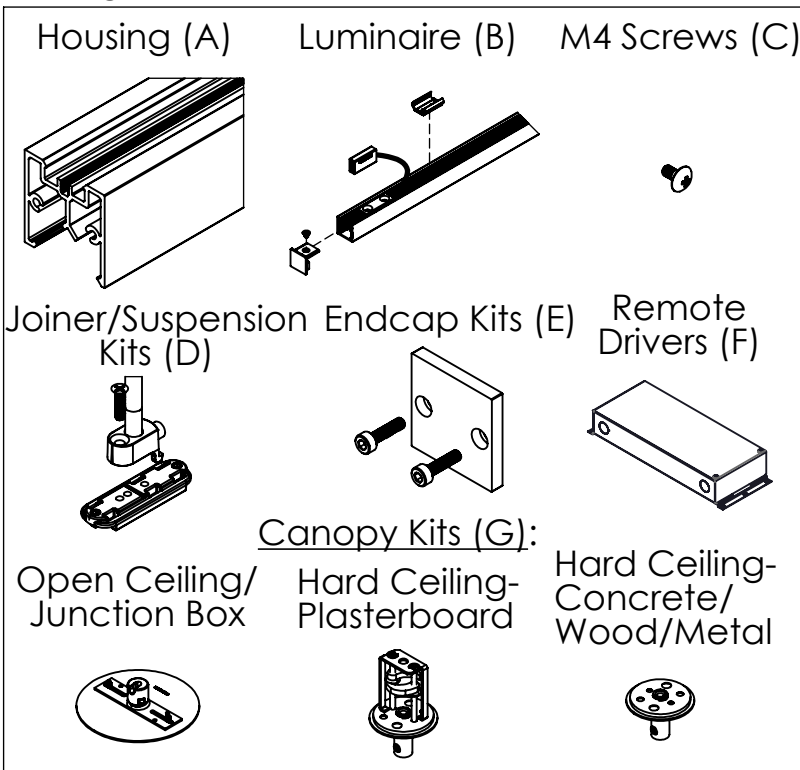
Mounting Dimensions



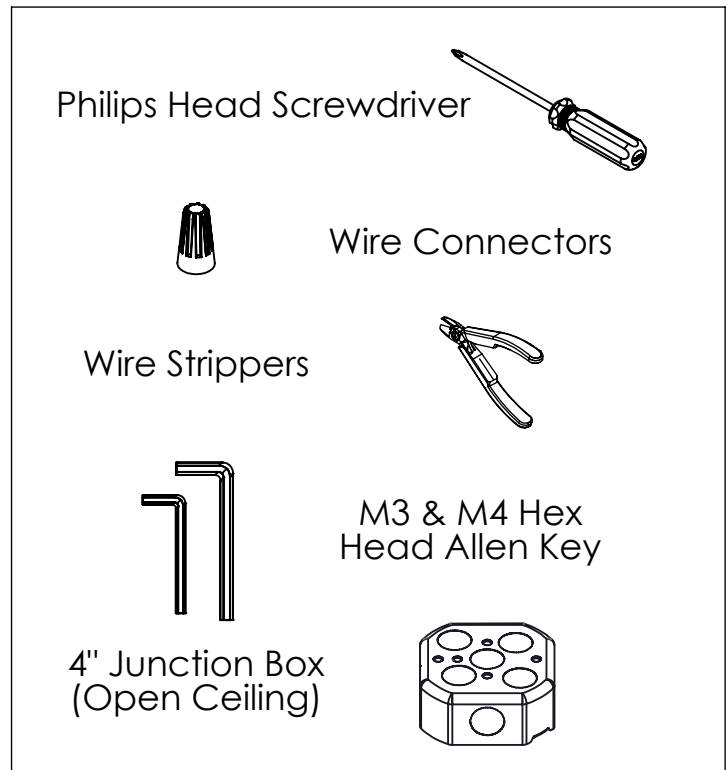
Isometric View



Package Includes



Items needed (supplied by others)



WARNING:
INSTALL PRODUCT IN ACCORDANCE WITH LOCAL AND NATIONAL ELECTRICAL CODES BY A QUALIFIED ELECTRICIAN.

WARNING:
FAILURE TO COMPLY WITH THE INSTALLATION INSTRUCTIONS MAY RESULT IN DEATH OR SERIOUS INJURY.

WARNING:
READ ALL SAFETY INSTRUCTIONS INCLUDED WITH LUMINAIRE BEFORE INSTALLING LUMINAIRE. SAVE INSTRUCTIONS FOR FUTURE USE.

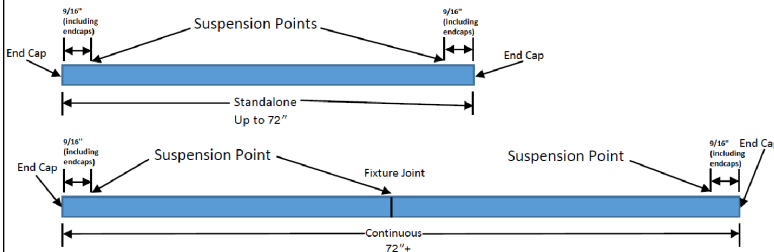
CAUTION:
THIS IS AN ELECTRONIC DEVICE. CARE MUST BE TAKEN DURING STORAGE AND HANDLING. STORE IN A CLEAN, COOL AND DRY LOCATION. ELECTROSTATIC DISCHARGE (ESD) CAN HARM THIS PRODUCT. AVOID STATIC DISCHARGE WHILE HANDLING THIS PRODUCT.

CAUTION:
INTER-LUX IS NOT RESPONSIBLE FOR THE STRUCTURAL INTEGRITY OF THE BUILDING TO SUPPORT THE LUMINAIRE. ADDITIONAL BACKING MAY BE REQUIRED.

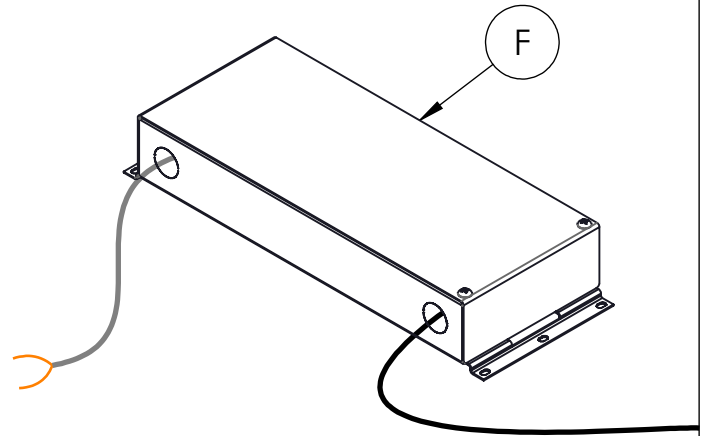
INSTALLATION INSTRUCTIONS

LOCATE AND REVIEW ANY CONSTRUCTION PLANS AND INTER-LUX RECORD DRAWINGS FOR ALL FIXTURE RUNS. IT IS RECOMMENDED TO LOCATE AND LAY OUT ALL COMPONENTS FOR EACH FIXTURE "RUN". A FIXTURE RUN TYPICALLY CONSISTS OF JOINERS, LENGTHS OF HOUSING, AND ENDCAPS. BE SURE TO IDENTIFY ALL CORRECT LENGTHS FOR EACH FIXTURE RUN.

Step 1; Prepare Ceiling: Turn off Main Power before Installing. Mark the ceiling at the intended mounting locations and cut out appropriate sized cavities (*See Step 3*) to accommodate Canopies (G). See Diagram below.



Step 2; Install Remote Drivers: Install and Mount driver boxes per construction plans. Wire high voltage power feeds, and dimming/control leads if applicable. See wiring diagram on next page if needed. Finally, run low voltage cables to the intended position(s) of the Canopies (G).



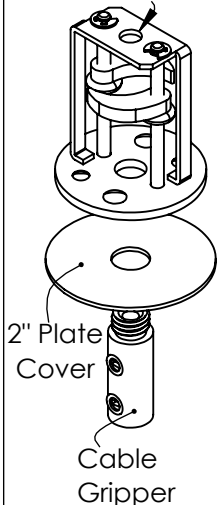
Step 3; Canopy Installation:

Install the Canopies (G) that have been selected. Options and their functions are shown below.

Hard Ceiling Canopy - Plasterboard

Max Ceiling thickness of 1 3/8"

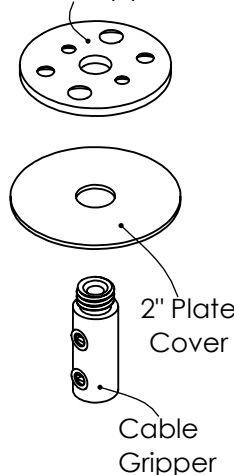
Suspension Canopy



- Cut out a 1-1/4" hole at previously marked suspension points.
- Fasten cable gripper to the canopy plate.
- Route the power cable from the fixture through the cable gripper, canopy plate and suspension mount. Make electrical connections.
- Secure the canopy to the ceiling by tightening the captive screws. This will lower and lock the claws onto the ceiling.
- Slide the plate cover and cable gripper up and screw into mount.
- Level fixture by adjusting the slack out of the power feed cable. Secure power feed cable by tightening cable gripper set screws.

Hard Ceiling Canopy - Concrete/Wood/Metal

Suspension Canopy

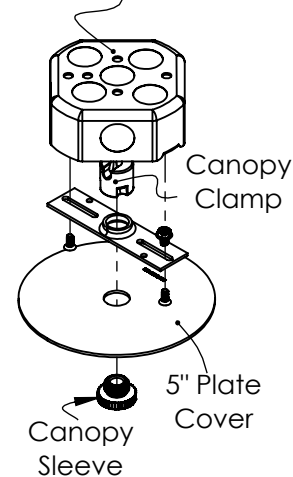


- Drill a hole for the power feed cable or be sure conduit is in place for installation. Drill another hole (0.5") in ceiling to clear cable gripper.
- Fasten cable gripper to the canopy plate.
- Route the power cable from the fixture through the cable holder, canopy plate and suspension mount. Make electrical connections.
- Mount the canopy to the ceiling using appropriate hardware.
- Slide the plate cover and cable holder up and screw into mount.
- Level fixture by adjusting the slack out of the power feed cable. Secure power feed cable by tightening cable gripper set screws.

Open Ceiling/Junction Box Canopy

*4" Junction Box

*Not provided by Inter-lux



- Fasten canopy sleeve to the canopy plate.
- Route the power cable from the fixture through the sleeve, plate, bracket and clamp into J-box. Level fixture and secure cable by tightening set screws. Make electrical connections.
- Mount cross bar to J-Box via provided screws.
- Mount Canopy plate to J-box, canopy clamp and cross bar via canopy sleeve.



WARNING:

INSTALL PRODUCT IN ACCORDANCE WITH LOCAL AND NATIONAL ELECTRICAL CODES BY A QUALIFIED ELECTRICIAN.



WARNING:

FAILURE TO COMPLY WITH THE INSTALLATION INSTRUCTIONS MAY RESULT IN DEATH OR SERIOUS INJURY.



WARNING:

READ ALL SAFETY INSTRUCTIONS INCLUDED WITH LUMINAIRE BEFORE INSTALLING LUMINAIRE. SAVE INSTRUCTIONS FOR FUTURE USE.

CAUTION:

THIS IS AN ELECTRONIC DEVICE. CARE MUST BE TAKEN DURING STORAGE AND HANDLING. STORE IN A CLEAN, COOL AND DRY LOCATION. ELECTROSTATIC DISCHARGE (ESD) CAN HARM THIS PRODUCT. AVOID STATIC DISCHARGE WHILE HANDLING THIS PRODUCT.

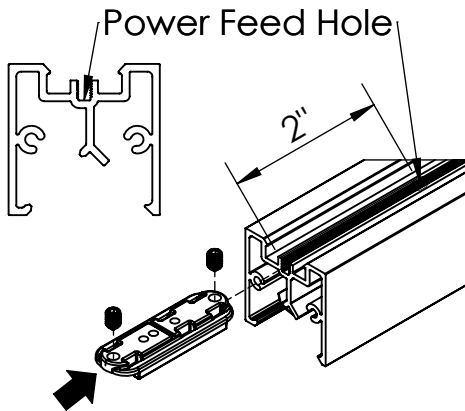
CAUTION:

INTER-LUX IS NOT RESPONSIBLE FOR THE STRUCTURAL INTEGRITY OF THE BUILDING TO SUPPORT THE LUMINAIRE. ADDITIONAL BACKING MAY BE REQUIRED.

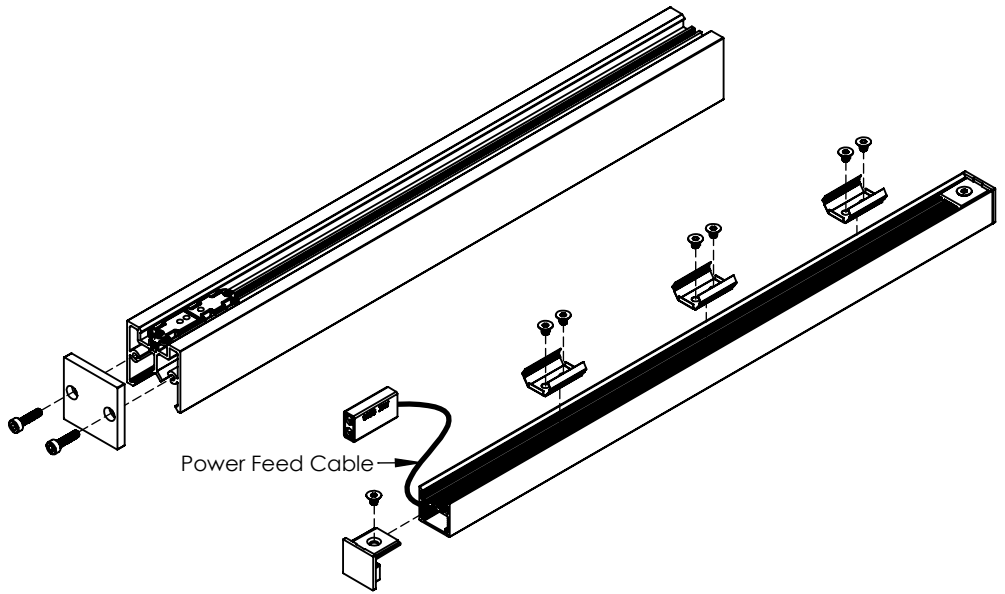
INSTALLATION INSTRUCTIONS

LOCATE AND REVIEW ANY CONSTRUCTION PLANS AND INTER-LUX RECORD DRAWINGS FOR ALL FIXTURE RUNS. IT IS RECOMMENDED TO LOCATE AND LAY OUT ALL COMPONENTS FOR EACH FIXTURE "RUN". A FIXTURE RUN TYPICALLY CONSISTS OF JOINERS, LENGTHS OF HOUSING, AND ENDCAPS. BE SURE TO IDENTIFY ALL CORRECT LENGTHS FOR EACH FIXTURE RUN.

Step 4; Prepare Housings: Drill 1/4" diameter power feed holes in Housing(s) (A) as shown below (at least 2" from end). Then slide Joiners into ends of Housing(s) (A) that will make up the joints of a continuous run (*See Step 3*).

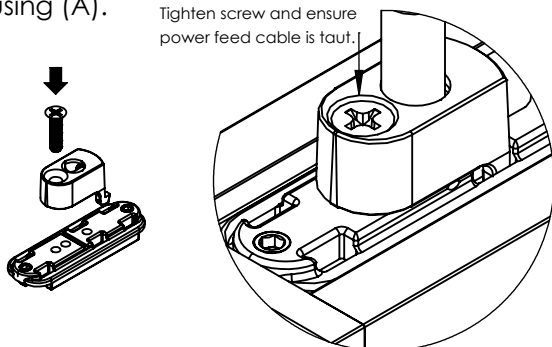


Step 5; Install Mounting Hardware: Install End Caps onto appropriate stand alone or end of run Housings (A). Install Snap-in Clips onto Luminares (B). Install End Caps onto Luminaire (B) if required.

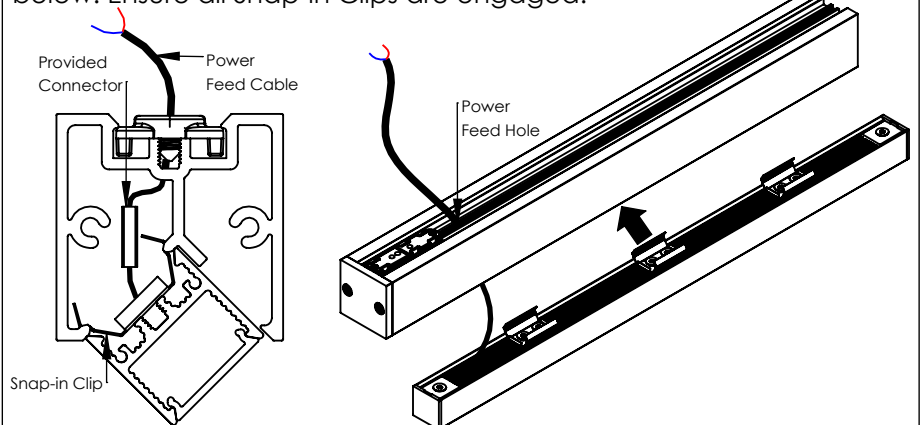


Step 6; Layout and Assembly: Review layout to ensure all power feed holes are drilled and hardware is installed correctly to allow assembly of the entire product. Inter-lux is not responsible for product failure due to incorrect installation.

Step 6a; Install Joiner Clamp: Run powered suspension cables through provided Joiner Clamps. Then install assembled Joiner Clamps into Joiners as shown below. Pull suspension cable through power feed hole in Housing (A). Tighten screw and ensure power feed cable is taut.



Step 6b; Install Luminaires: Connect Luminaire (B) power feed cables to powered suspension cables using provided connector. Then install assembled Luminaires (B) into Housings (A) as shown below. Ensure all Snap-in Clips are engaged.



WARNING:
INSTALL PRODUCT IN ACCORDANCE WITH LOCAL AND NATIONAL ELECTRICAL CODES BY A QUALIFIED ELECTRICIAN.

WARNING:
FAILURE TO COMPLY WITH THE INSTALLATION INSTRUCTIONS MAY RESULT IN DEATH OR SERIOUS INJURY.

WARNING:
READ ALL SAFETY INSTRUCTIONS INCLUDED WITH LUMINAIRE BEFORE INSTALLING LUMINAIRE. SAVE INSTRUCTIONS FOR FUTURE USE.

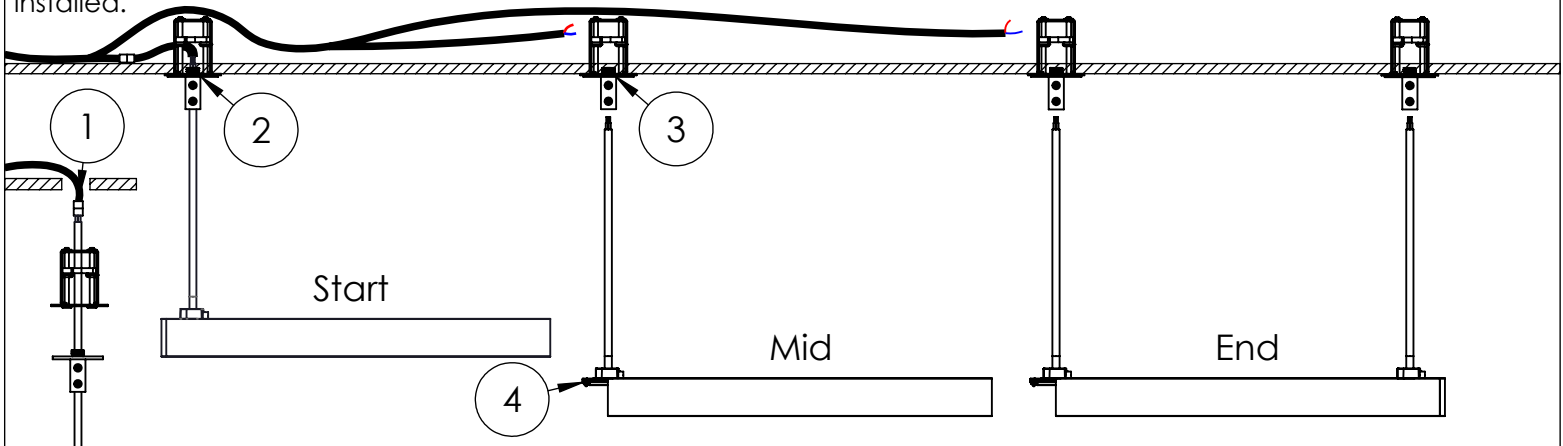
CAUTION:
THIS IS AN ELECTRONIC DEVICE. CARE MUST BE TAKEN DURING STORAGE AND HANDLING. STORE IN A CLEAN, COOL AND DRY LOCATION. ELECTROSTATIC DISCHARGE (ESD) CAN HARM THIS PRODUCT. AVOID STATIC DISCHARGE WHILE HANDLING THIS PRODUCT.

CAUTION:
INTER-LUX IS NOT RESPONSIBLE FOR THE STRUCTURAL INTEGRITY OF THE BUILDING TO SUPPORT THE LUMINAIRE. ADDITIONAL BACKING MAY BE REQUIRED.

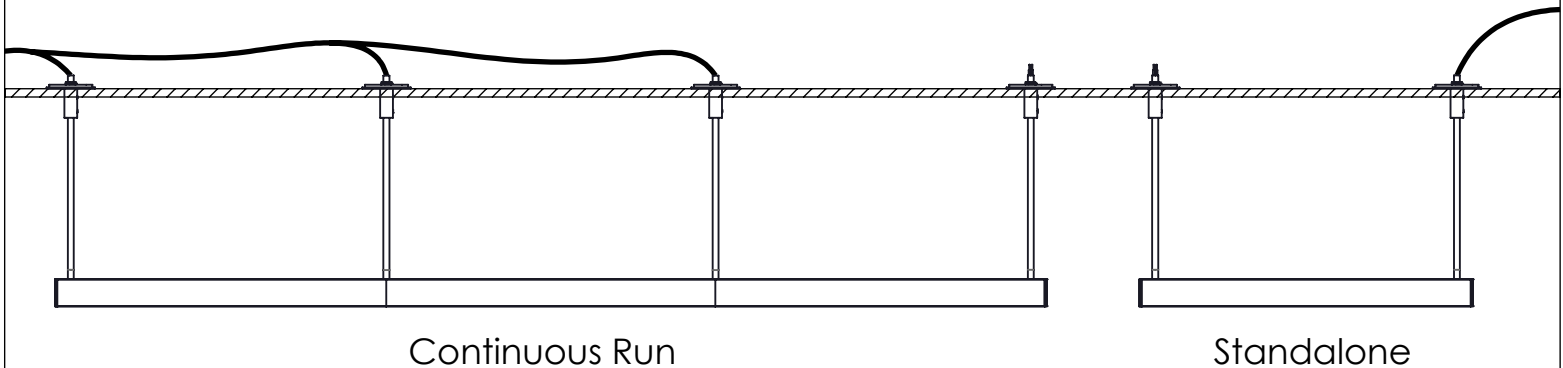
INSTALLATION INSTRUCTIONS

LOCATE AND REVIEW ANY CONSTRUCTION PLANS AND INTER-LUX RECORD DRAWINGS FOR ALL FIXTURE RUNS. IT IS RECOMMENDED TO LOCATE AND LAY OUT ALL COMPONENTS FOR EACH FIXTURE "RUN". A FIXTURE RUN TYPICALLY CONSISTS OF JOINERS, LENGTHS OF HOUSING, AND ENDCAPS. BE SURE TO IDENTIFY ALL CORRECT LENGTHS FOR EACH FIXTURE RUN.

Step 7; Install Housings: Bring Powered Suspension Cable up and through installed canopy and make connection with Low Voltage cables from Remote Driver (F) (1). Then install Canopy (G) according to the canopy selection in Step 3 and adjust the cable to the intended length, securing it with cable gripper screws (2). Next, bring up the second Housing (A) in the run and install second Power Feed Cable and Canopy (G) identically to the previous fixture (3). Housings (A) can be connected with Joiners before Canopy (G) installation or after, be prepared to compensate bending forces on Joiners while installing (4). Repeat this process until all Housings (A) of the run are installed.



Step 8; Installation Complete: Once products are installed, power and check for proper operation.





WARNING:

INSTALL PRODUCT IN ACCORDANCE WITH LOCAL AND NATIONAL ELECTRICAL CODES BY A QUALIFIED ELECTRICIAN.



WARNING:

FAILURE TO COMPLY WITH THE INSTALLATION INSTRUCTIONS MAY RESULT IN DEATH OR SERIOUS INJURY.



WARNING:

READ ALL SAFETY INSTRUCTIONS INCLUDED WITH LUMINAIRE BEFORE INSTALLING LUMINAIRE. SAVE INSTRUCTIONS FOR FUTURE USE.

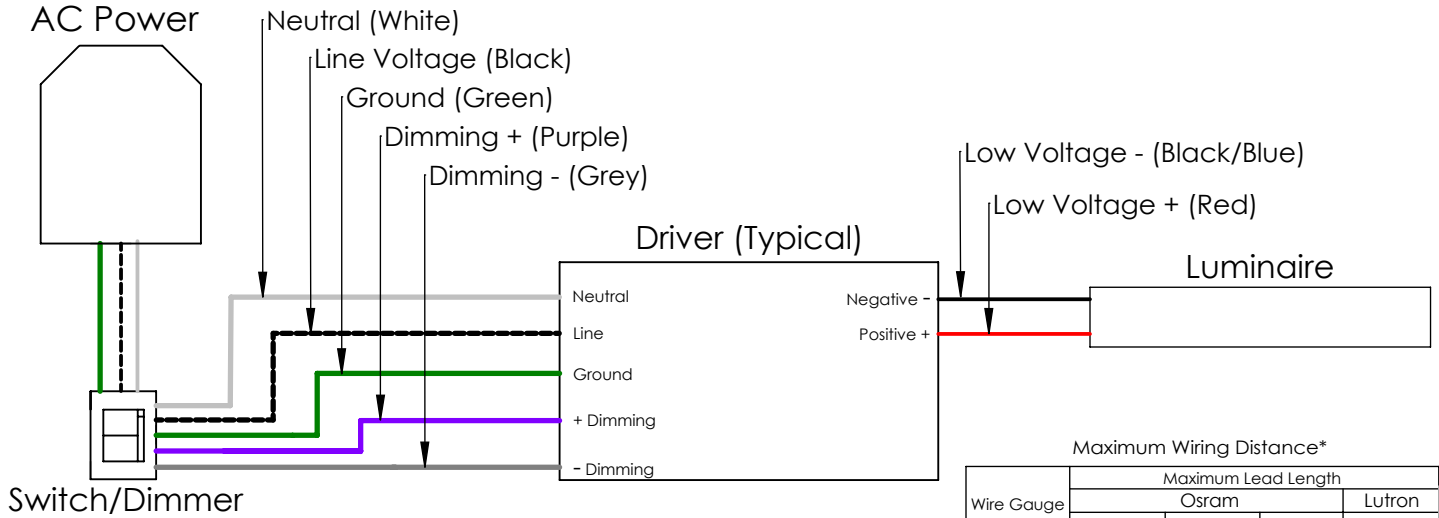
CAUTION:

THIS IS AN ELECTRONIC DEVICE. CARE MUST BE TAKEN DURING STORAGE AND HANDLING. STORE IN A CLEAN, COOL AND DRY LOCATION. ELECTROSTATIC DISCHARGE (ESD) CAN HARM THIS PRODUCT. AVOID STATIC DISCHARGE WHILE HANDLING THIS PRODUCT.

CAUTION:

INTER-LUX IS NOT RESPONSIBLE FOR THE STRUCTURAL INTEGRITY OF THE BUILDING TO SUPPORT THE LUMINAIRE. ADDITIONAL BACKING MAY BE REQUIRED.

Wiring Key



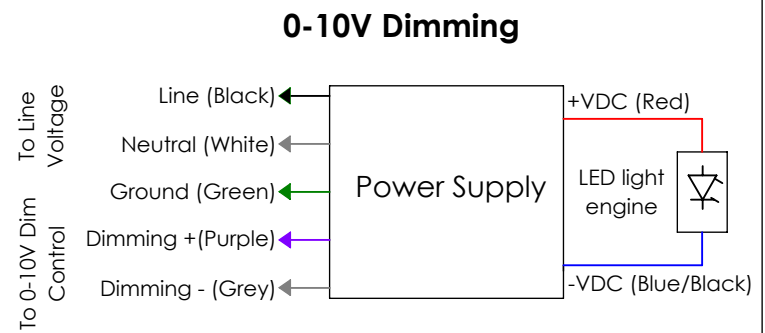
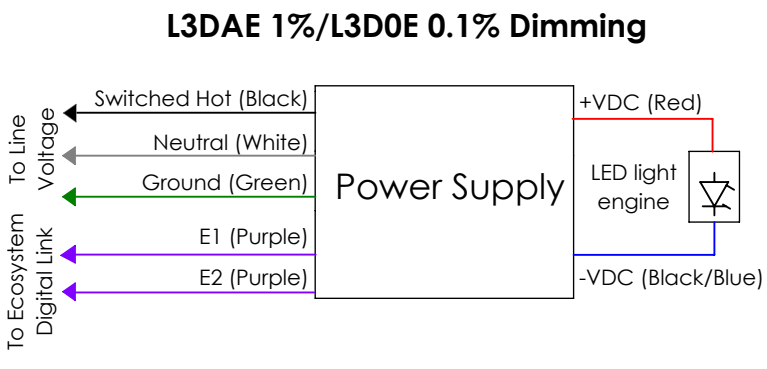
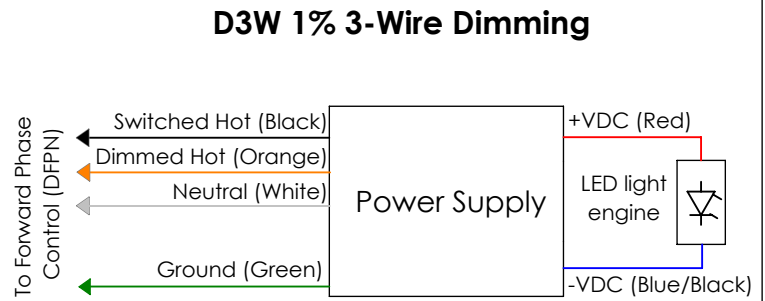
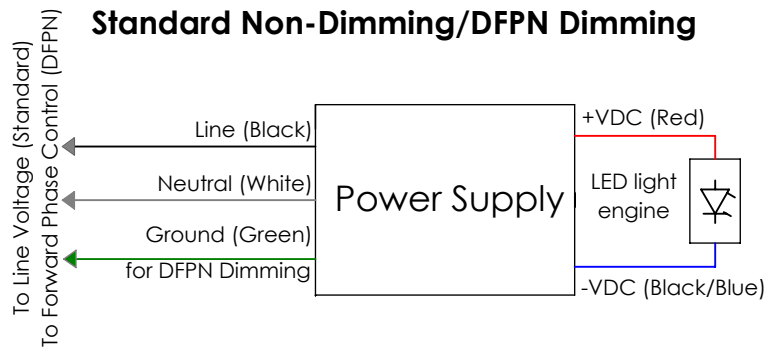
Red	Blue/Black	Green	Black	White	Purple	Grey
Positive	Negative	Ground	Line	Neutral	Dimming +	Dimming -

Maximum Wiring Distance*

Wire Gauge	Maximum Lead Length			
	≤ 48W	≤ 72W	≤ 96W	≤ 40W
#18AWG	37'	25'	18'	15'
#16AWG	59'	39'	29'	25'
#14AWG	95'	63'	47'	40'
#12AWG	151'	101'	75'	60'

*Actual Voltage drop to be calculated by installer

Driver Wiring Diagrams



NOTE: ALL SHOWN DRIVERS ARE INTER-LUX PROVIDED. FOR NON INTER-LUX PROVIDED DRIVERS PLEASE REFER TO DRIVER MANUFACTURERS. THE USE OF NON INTER-LUX PROVIDED DRIVERS VOIDS PRODUCT WARRANTY.