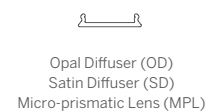


## 20 Linear Wash Light Suspended

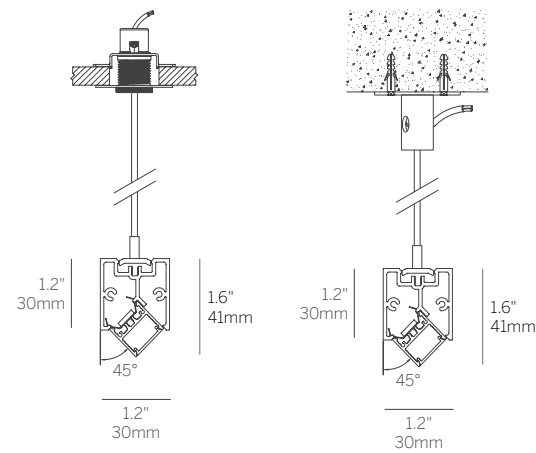
- Miniature Suspended Wash Light for even illumination of walls.
- Mounts via power suspensions to any surface with a low voltage canopy.
- Straight runs in exact lengths as specified.
- 90+ CRI, 3 Steps MacAdam delivering excellent color rendering.
- Choice of White, RGBW and Warm Dim to emulate incandescent.
- Identical LED technology used throughout all Whitegoods Linears, Coves and Perimeter products deliver consistent quality and performance throughout a project.
- Made in USA.
- 5-year warranty.

<b>Housing</b>	Precision extruded aluminum for true dimensions and tolerances All low voltage connections are made in the housing Luminaire snaps into the housing without tools Finishes: white, black, silver and custom
<b>Integration</b>	Suspension from any surface
<b>Distribution</b>	Even wash of light
<b>LED</b>	Constant Voltage, 90+ CRI, 3 Steps MacAdam 120 nominal lumens/watt average (see spec sheet for delivered lumens) Warm Dim to emulate incandescent when dimming; 75 nominal lumens per watt average RGBW for color changing applications; 50 nominal lumens per watt average L70 (TM21 Projected 85C) Static White = 60,000 hours RGBW = 50,000 hours, WD = 36,000 hours
<b>Lens</b>	OD - Opal Diffuser provides even, continuous line of light and general illumination SD - Satin Clear Diffuser provides high efficiency soft edge beam, general illumination MPL - Micro-prismatic lens provides lower brightness, general illumination
<b>Driver</b>	Compatible with quality constant voltage drivers
<b>Weight</b>	1lbs per foot
<b>Operating Temp</b>	Suitable for operation in maximum ambient temperature of 35C (95F)
<b>Warranty</b>	5-year Limited (see complete company warranty information)
<b>Certifications</b>	ETL and ETL-C for dry and damp location, CE
<b>Voltages</b>	24V Fixture / 120-277VAC Driver (remote)

### Lenses/Accessories

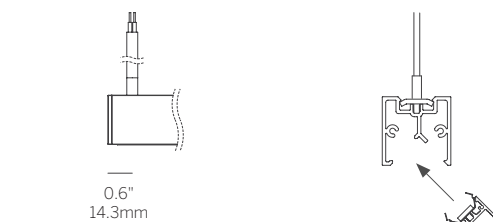


Suspended (S)



Gypsum Ceiling

Solid Ceiling



Power Feed

technical  
information

## 20 Linear Wash Light Suspended

Model	Fixation	Pattern	Length	Power <sup>2</sup>	CRI/ CCT <sup>3</sup>	Driver <sup>4</sup>	Lens	Finish <sup>5</sup>	Options
WG-20LWW	S48 (std) S96	S PI <sup>1</sup> PO <sup>1</sup>	A A x B A x B x C A x B x A x B	L M H	927 930 935 940	X S D010 L3DAE L3DOE EL96 DMX	OD (std) SD MPL	W (std) B S F	EM

### Model

- WG-20LWW = 20 Linear Wash Light Suspended

### Fixation

- S48 = 48" suspension cable standard, field-cuttable (standard)
- S96 = 96" suspension cable, field-cuttable (above 60" additional suspension added)

### Pattern

- S = Straight run
- PI = Standard patterns 2, 3 or 4 sided with 90° inside corners on the same plane<sup>1</sup>
- PO = Standard patterns 2, 3 or 4 sided with 90° outside corners on the same plane<sup>1</sup>

### Length

- A, B, C = specify inches to the nearest 0.25" (i.e. 72.25")  
For patterns specify each length (i.e. 2 sided: A x B = 72.25" x 48"; 3 sided: A x B x C; 4 sided: A x B x A x B)

### Power<sup>2</sup>

- L = 3W/ft low power (WD 2.7 W/ft) (24V)
- M = 6W/ft mid power (WD 5.5 W/ft) (24V) (RGBW - 7.6 W/ft)
- H = 10W/ft high power (WD 8 W/ft) (24V)

### CRI/CCT (90+ CRI)<sup>3</sup>

- 927 = 2700K
- 930 = 3000K
- 935 = 3500K
- 940 = 4000K
- WD = Warm Dimming 1800 - 3000K
- RGBW = 3000K White (M power only)

### Driver (remote)<sup>4</sup>

- X = No driver, ordered separately
- S = Standard, non-dim driver 120-277V
- D010 = Osram, 10%, 0-10V dimming, 120-277V
- L3DAE = Lutron Hi-lume 1% EcoSystem, 120-277V
- L3DOE = Lutron Hi-lume Premier 0.1% EcoSystem, 120-277V
- EL96 = Osram / EldoLED, 24V, 0.1% 0-10V Dimming
- DMX = Osram / EldoLED, 24V, 0.1% DMX Dimming

### Lens

- OD = Satin opal diffuser (standard)
- SD = Satin clear diffuser
- MPL = Micro-prismatic lens

### Finish<sup>5</sup>

- W = White, 15% gloss, RAL 9010 / Tiger Drylac 009/10120 (standard)
- B = Black, 15% gloss, RAL 9005 / Tiger Drylac 044/90053
- S = Silver, 15% gloss, RAL 9006 / Tiger Drylac 049/90500
- F = Custom finished trim, specify RAL

### Options

- EM = Emergency (remote)

Whitegoods reserves the right to change any information without prior notice.

### Notes

- 1 See pattern spec sheet.
- 2 Wattage shown is for LED boards only, system wattage varies depending on driver selected.
- 3 Refer to specsheet for delivered lumen data for all product configurations.
- 4 Remote power supply required. See power supply page for details.
- 5 See Tiger Drylac color chart: [inter-lux.com/tiger](http://inter-lux.com/tiger)