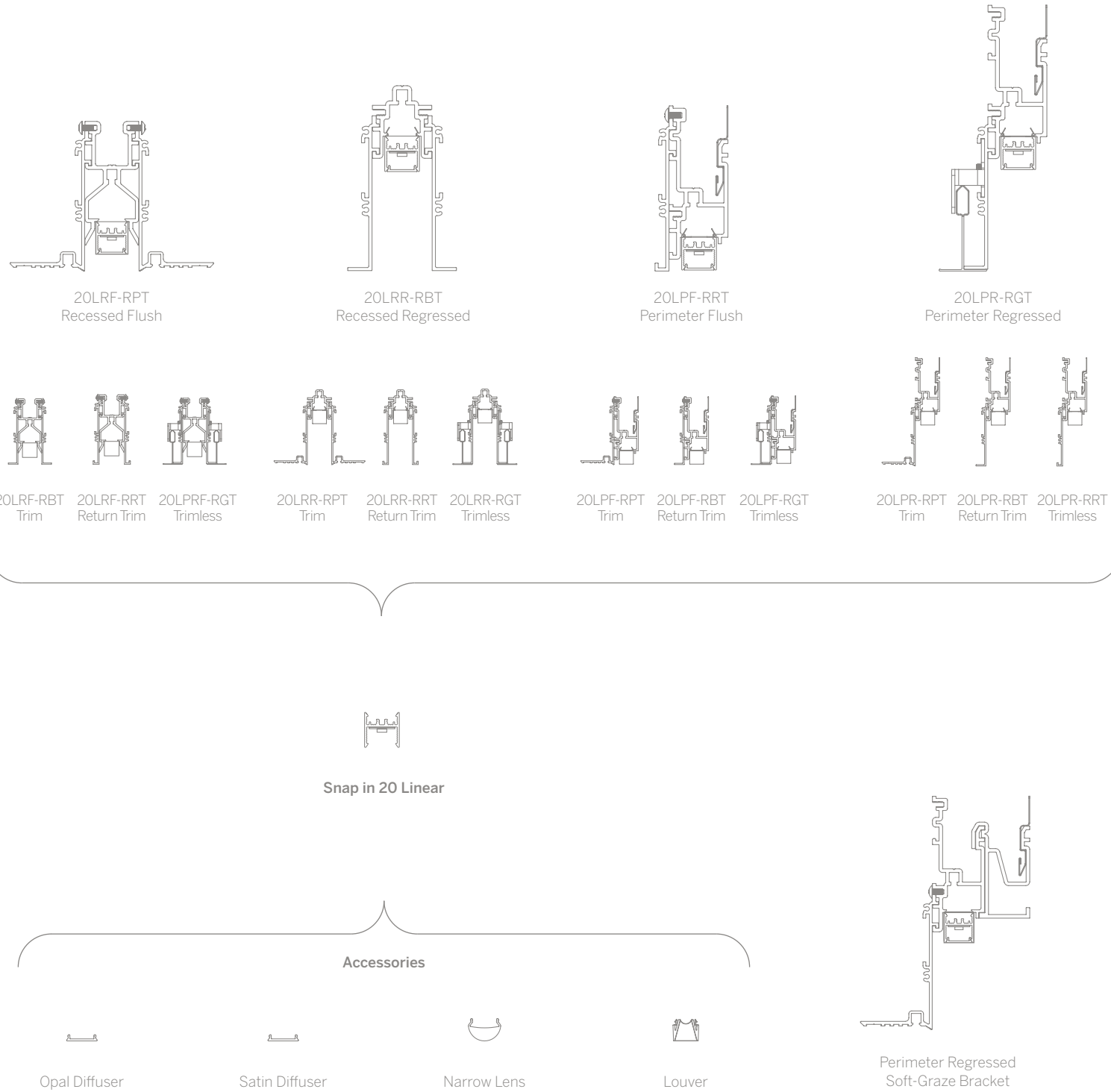
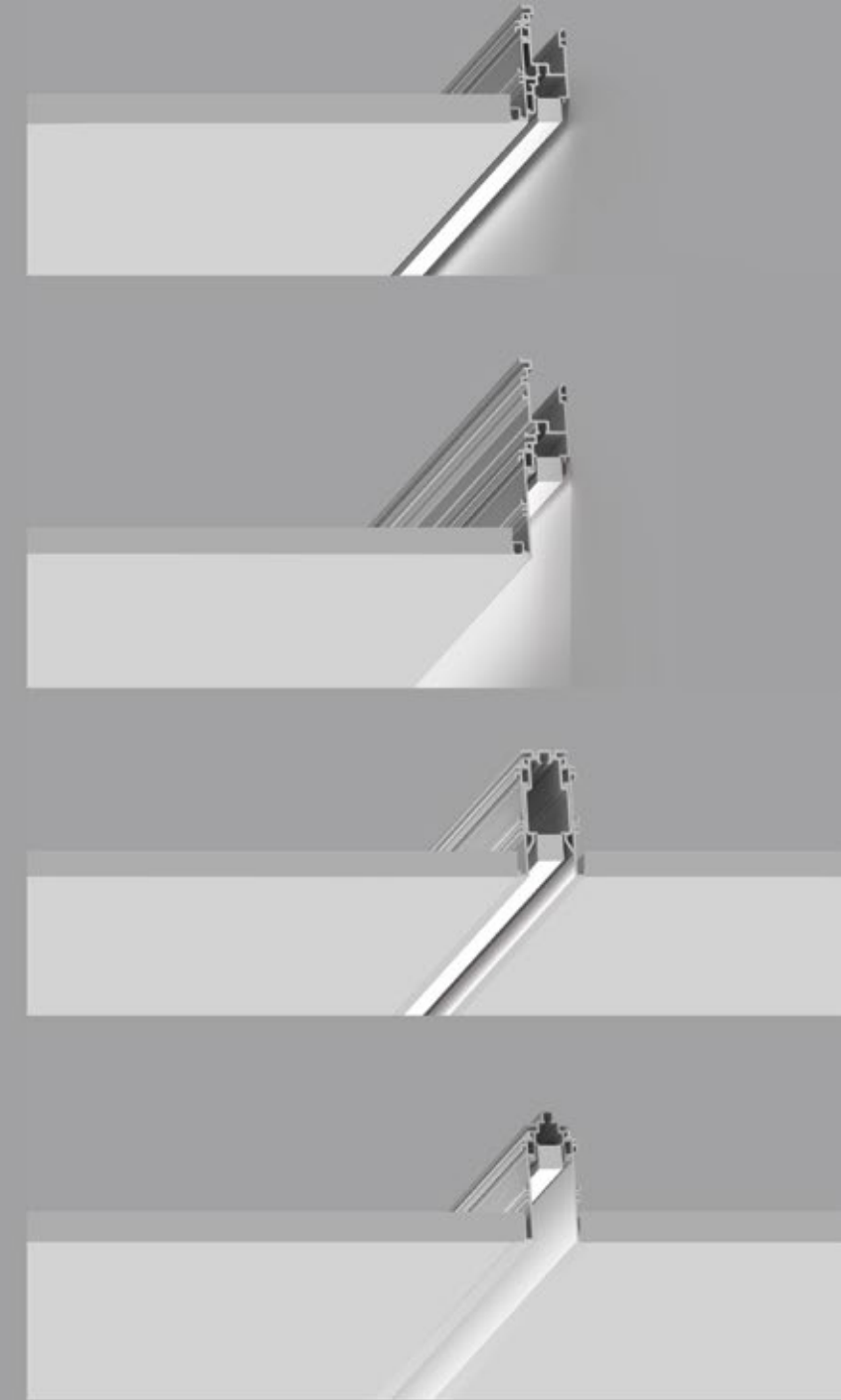


20 Linear Perimeter + Recessed



whitegoods 20 Linear Perimeter + Recessed



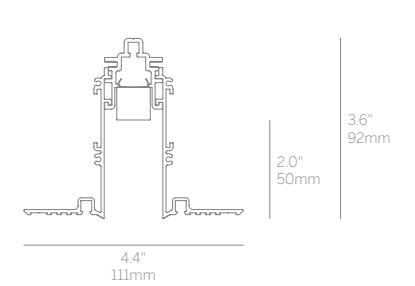
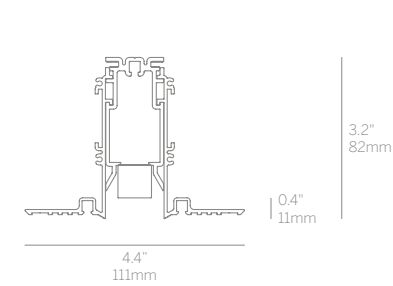
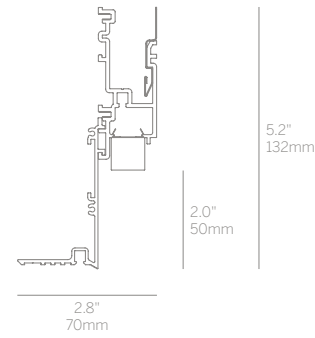
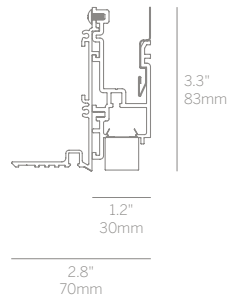
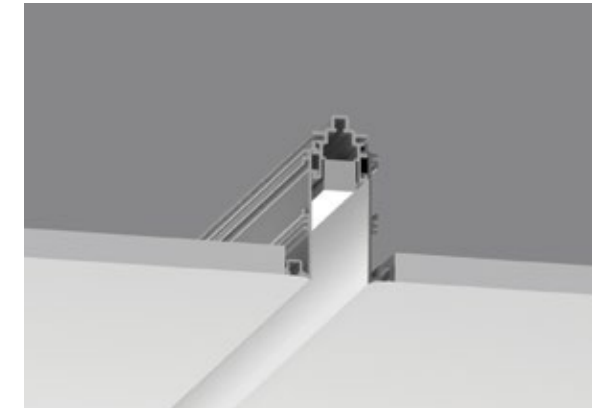
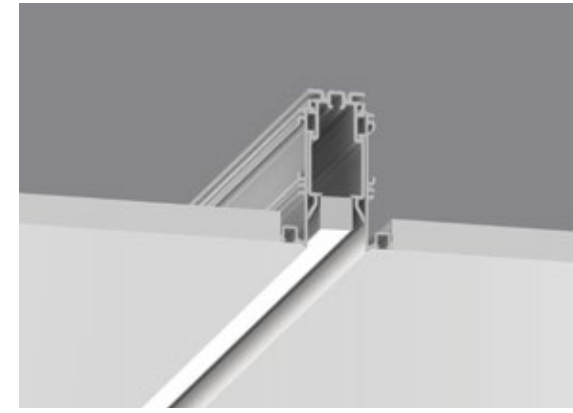
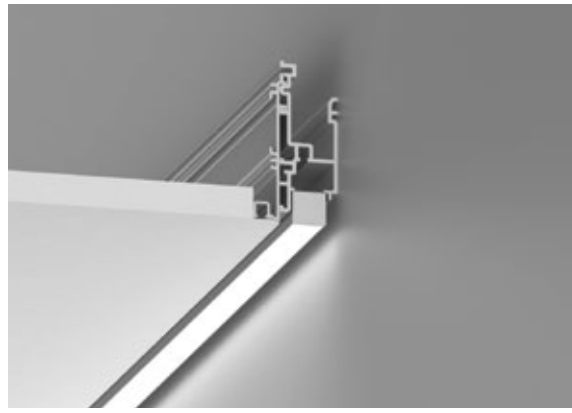
20 Linear Perimeter Flush Lens

20 Linear Perimeter Regressed Lens

20 Linear Recessed Flush Lens

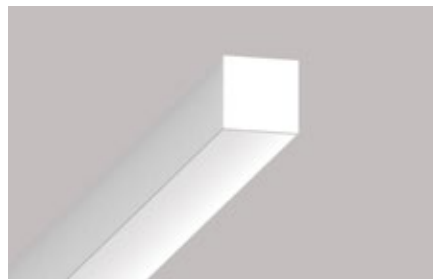
20 Linear Recessed Regressed Lens

Housing



Optics

Opal/Satin Diffuser (Flush/Regressed)



Continuous, evenly illuminated snap-in lens

- Standard Opal Diffuser for even illumination and no LED appearance.
- Satin Diffuser for high efficiency and minimal LED appearance.

Louver (Regressed only)



Glare control louver for complete shielding of light-source

- Cross blade louver with integrated blade holographic film.
- Exact 45° cut-off.
- Available in 4.72" (120mm) increments.
- End to end mounting gives uninterrupted lighting effect.
- Black, white or transparent frost finish.

Narrow Lens (Regressed only)



Accurate beam control delivering a soft edged narrow linear beam

- 16° axially symmetrical linear beam.
- "Clean" beam spread free from striations.
- End to end mounting gives uninterrupted lighting effect.

Opal/Satin Diffuser (Flush/Regressed)



Continuous, evenly illuminated snap-in lens

- Standard Opal Diffuser for even illumination and no LED appearance.
- Satin Diffuser for high efficiency and minimal LED appearance.

Louver (Flush/Regressed)



Glare control louver for complete shielding of light-source

- Cross blade louver with integrated blade holographic film.
- Exact 45° cut-off.
- Available in 4.72" (120mm) increments.
- End to end mounting gives uninterrupted lighting effect.
- Black, white or transparent frost finish.

Narrow Lens (Flush/Regressed)

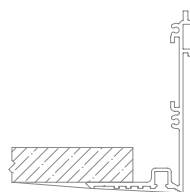


Accurate beam control delivering a soft edged narrow linear beam

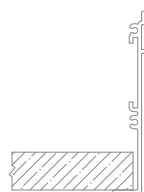
- 16° axially symmetrical linear beam.
- "Clean" beam spread free from striations.
- End to end mounting gives uninterrupted lighting effect.

Mounting

Plaster Trim



Bezel Trim



Return Trim



Grid Trim

