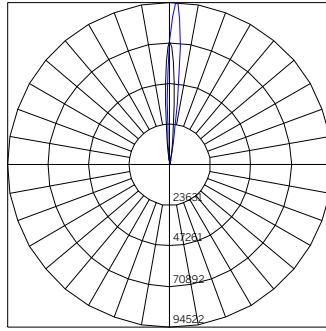


## ARP-W-DL-...-NSP

Delivered Lumens - Narrow Spot

|                                       |     | Length [Wattage] |            |            |
|---------------------------------------|-----|------------------|------------|------------|
|                                       |     | 14 [35 ID]       | 20 [51 ID] | 40 [89 ID] |
| CCT                                   | 27- | 2441             | 3526       | 7052       |
|                                       | 30- | 2441             | 3526       | 7052       |
|                                       | 35- | 2441             | 3256       | 7052       |
|                                       | 40- | 2635             | 3806       | 7615       |
| Polar Plot / Cone Of Light Multiplier |     |                  |            |            |
|                                       |     | 14 [35 ID]       | 20 [51 ID] | 40 [89 ID] |
|                                       |     | 1.00             | 1.44       | 2.87       |



Beam Angle (0-180) = 12.6  
Beam Angle (90-270) = 7.9

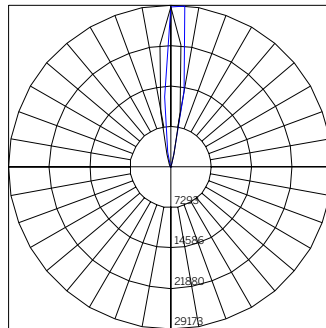
## CONE OF LIGHT - 14" 35W 3000K NARROW SPOT ARP-W-DL-14-35-ID-30-NSP-...\*

| Throw Distance [Ft] | Illuminance [Fc] | Beam Diameter [Ft] |
|---------------------|------------------|--------------------|
| 20                  | 236              | 4.4                |
| 18                  | 292              | 4.0                |
| 16                  | 369              | 3.5                |
| 14                  | 482              | 3.1                |
| 12                  | 656              | 2.6                |
| 10                  | 945              | 2.2                |
| 8                   | 1477             | 1.8                |
| 6                   | 2626             | 1.3                |
| 4                   | 5908             | 0.9                |
| 2                   | 23631            | 0.4                |

## ARP-W-DL-...-SP

Delivered Lumens - Spot

|                                       |     | Length [Wattage] |            |            |
|---------------------------------------|-----|------------------|------------|------------|
|                                       |     | 14 [35 ID]       | 20 [51 ID] | 40 [89 ID] |
| CCT                                   | 27- | 2526             | n/a        | 7364       |
|                                       | 30- | 2526             | n/a        | 7364       |
|                                       | 35- | 2526             | n/a        | 7364       |
|                                       | 40- | 2727             | n/a        | 7949       |
| Polar Plot / Cone Of Light Multiplier |     |                  |            |            |
|                                       |     | 14 [35 ID]       | 20 [51 ID] | 40 [89 ID] |
|                                       |     | 1.00             | n/a        | 2.73       |



Beam Angle (0-180) = 9.0  
Beam Angle (90-270) = 16.4

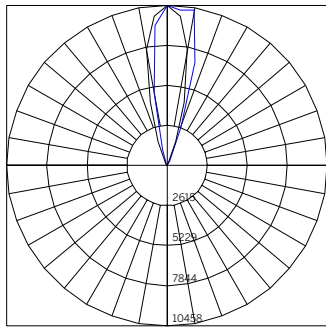
## CONE OF LIGHT - 14" 35W 3000K SPOT ARP-W-DL-14-35-ID-30-SP-...\*

| Throw Distance [Ft] | Illuminance [Fc] | Beam Diameter [Ft] |
|---------------------|------------------|--------------------|
| 20                  | 73               | 3.1                |
| 18                  | 90               | 2.8                |
| 16                  | 114              | 2.5                |
| 14                  | 149              | 2.2                |
| 12                  | 203              | 1.9                |
| 10                  | 292              | 1.6                |
| 8                   | 456              | 1.3                |
| 6                   | 810              | 0.9                |
| 4                   | 1823             | 0.6                |
| 2                   | 7293             | 0.3                |

## ARP-W-DL-...-FL

Delivered Lumens - Flood

|                                       |     | Length [Wattage] |            |            |
|---------------------------------------|-----|------------------|------------|------------|
|                                       |     | 14 [35 ID]       | 20 [51 ID] | 40 [89 ID] |
| CCT                                   | 27- | 2338             | n/a        | 7174       |
|                                       | 30- | 2338             | n/a        | 7174       |
|                                       | 35- | 2338             | n/a        | 7174       |
|                                       | 40- | 2523             | n/a        | 7744       |
| Polar Plot / Cone Of Light Multiplier |     |                  |            |            |
|                                       |     | 14 [35 ID]       | 20 [51 ID] | 40 [89 ID] |
|                                       |     | 1.00             | n/a        | 2.99       |



Beam Angle (0-180) = 19.0  
Beam Angle (90-270) = 27.9

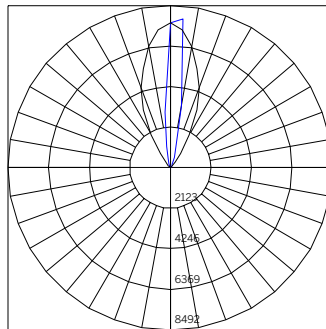
## CONE OF LIGHT - 14" 35W 3000K FLOOD ARP-W-DL-14-35-ID-30-FL-...\*

| Throw Distance [Ft] | Illuminance [Fc] | Beam Diameter [Ft] |
|---------------------|------------------|--------------------|
| 20                  | 26               | 6.7                |
| 18                  | 32               | 6.0                |
| 16                  | 41               | 5.4                |
| 14                  | 53               | 4.7                |
| 12                  | 73               | 4.0                |
| 10                  | 105              | 3.4                |
| 8                   | 163              | 2.7                |
| 6                   | 291              | 2.0                |
| 4                   | 654              | 1.3                |
| 2                   | 2615             | 0.7                |

## ARP-W-DL-...-EL

Delivered Lumens - Elliptic

|                                       |     | Length [Wattage] |            |            |
|---------------------------------------|-----|------------------|------------|------------|
|                                       |     | 14 [35 ID]       | 20 [51 ID] | 40 [89 ID] |
| CCT                                   | 27- | 1831             | n/a        | 5622       |
|                                       | 30- | 1831             | n/a        | 5622       |
|                                       | 35- | 1831             | n/a        | 5622       |
|                                       | 40- | 1977             | n/a        | 6066       |
| Polar Plot / Cone Of Light Multiplier |     |                  |            |            |
|                                       |     | 14 [35 ID]       | 20 [51 ID] | 40 [89 ID] |
|                                       |     | 1.00             | n/a        | 3.00       |



Beam Angle (0-180) = 8.1  
Beam Angle (90-270) = 45.9

## CONE OF LIGHT - 14" 35W 3000K FLOOD ARP-W-DL-14-35-ID-30-EL-...\*

| Throw Distance [Ft] | Illuminance [Fc] | Beam Diameter [Ft] |
|---------------------|------------------|--------------------|
| 20                  | 21               | 2.8                |
| 18                  | 26               | 2.6                |
| 16                  | 33               | 2.3                |
| 14                  | 43               | 2.0                |
| 12                  | 59               | 1.7                |
| 10                  | 85               | 1.4                |
| 8                   | 133              | 1.1                |
| 6                   | 236              | 0.9                |
| 4                   | 531              | 0.6                |
| 2                   | 2123             | 0.3                |

\*Polar Plot and Cone of Light are applicable to part number noted; use Multiplication Factor table to approximate other models or refer to online photometry.