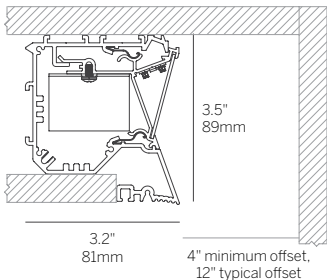




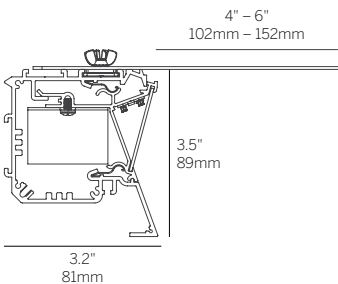
Plaster Trim



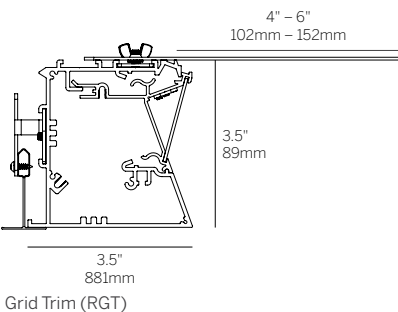
Bezel Trim



Gypsum Ceiling Mounting  
Plaster Trim (RPT)



Bezel Trim (RBT)  
Shown with optional in-fill panel



Grid Trim (RGT)

**Cutout Dimensions**

RPT - 1.325" + slot width (min. slot width 4")  
RBT - 0.325" + slot width (min. slot width 4")

**Ordering Information**

Model	Fixation	Pattern	Length	Power <sup>3</sup>	CRI/ CCT <sup>4</sup>	Driver <sup>6</sup>	In-fill	Lens	Finish <sup>7</sup>	Options
WG-ZC								SDC		
WG-ZC	RPT RBT RGT	S <sup>1</sup> PI <sup>2</sup> PO <sup>2</sup> PZ <sup>2</sup>	A A x B A x B x C A x B x A x B	P0 P1 P2 P3 P4  L M H	927 930 935 940 TW <sup>5</sup>  WD RGBW	E1 BT L1 DALI POE TQ  D010 EL96 L3DAE DMX L3DOE	X P4 P5 PX	SDC (std)	W (std) F	EM

**Luminaire**

- Continuous perimeter cove with precision knife edge delivers wash of directed light to adjacent surface.
- Suitable for 5/8" drywall ceiling.
- Light source positioned for optimum vertical spread of illumination.
- Extruded aluminum housing, easily installed internal LED tray assembly with integral driver. Field replaceable LED boards.
- 90+ CRI, 3 Step MacAdam.
- L70 (TM21 Projected 85°C) 72,000 hours. RGBW 50,000 hours. WD 36,000 hours
- ETL and ETL-C for dry and damp locations.
- Satin clear diffuser for high efficiency and soft edge beam without striations.
- Optional adjustable in-fill panels to accommodate 4" to 6" slot.
- Lengths and angles factory cut to exact field dimensions. Standard and custom corners.
- Powdercoat painted.

**Fixation**

- RPT = Recessed plaster trim
- RBT = Recessed bezel trim
- RGT = Recessed grid trim

**Pattern**

- S = Straight run<sup>1</sup>
- PI = Standard patterns 2, 3, or 4 sided with 90° inside corners on the same plane<sup>2</sup>
- PO = Standard patterns 2, 3 or 4 sided with 90° outside corners on the same plane<sup>2</sup>
- PZ = Non-standard patterns and/or corners other than 90°, consult factory<sup>2</sup>

**Length**

- A, B, C = specify inches to the nearest 0.25" (i.e. 72.25") For patterns specify each length (i.e. 2 sided: A x B = 72.25" x 48"; 3 sided: A x B x C; 4 sided: A x B x A x B)

**Power<sup>3</sup>**

- P0 = 1.5 W/ft
- P1 = 3 W/ft
- P2 = 6 W/ft
- P3 = 10 W/ft
- P4 = 15 W/ft
- L = 2.7 W/ft WD low power (24V)
- M = 5.5 W/ft WD medium power (24V) [RGBW 7.6 W/ft]
- H = 8 W/ft WD high power (24V)

**CRI / CCT (90+ CRI minimum)<sup>4</sup>**

- 927 = 2700K
- 930 = 3000K
- 935 = 3500K
- 940 = 4000K
- TW = Tunable White 2200K - 4000K<sup>5</sup>
- WD = Warm Dim 1800K-3000K
- RGBW = 3000K White

**Driver (integral)<sup>6</sup>**

- E1 = eldoLED 0.1% dimming, 0-10V (120-277V)
- L1 = Lutron 1% dimming, EcoSystem (120-277V)
- POE = Power over Ethernet
- BT = Wireless CAS - Casambi (Must specify BT with E1 or DALI)
- DALI = eldoLED DALI DT8 0.1% (120-277V)
- TQ = T-series for Lutron Quantum 0.1% (120-277V) [TW only]
- D010 = Osram, 10%, 0-10V dimming, 120-277V [WD only]
- L3DAE = Lutron Hi-lume 1% EcoSystem, 120-277V [WD only]
- L3DOE = Lutron Hi-lume Premier 0.1% EcoSystem, 120-277V (remote) [WD only]
- DMX = Osram + eldoLED 24V, DMX dimming [WD + RGBW Only]

**In-fill**

- X = No in-fill panel
- P4 = 4" - 5" adjustable in-fill panel
- P5 = 5" - 6" adjustable in-fill panel
- PX = Custom in-fill panel (contact factory)

**Lens**

- SDC = Satin clear diffuser (standard)

**Finish<sup>7</sup>**

- W = White, 15% gloss, RAL 9010 / Tiger Drylac 009/10120 (standard)
- F = Custom finish, specify RAL

**Options**

- EM = Emergency LED driver (remote)

1 Standard setup assumes the cove ends at a perpendicular wall and the LED board is setback from the end to minimize light on the perpendicular wall. Contact us for options.  
2 See pattern specsheet.  
3 Wattage shown does not include power supplies/drivers.  
4 See photometric data sheet for delivered lumens.  
5 TW offered up to P3 (10W/ft) power level.  
6 See power supply page for details.  
7 See Tiger Drylac color chart: inter-lux.com/tiger.

