



**WARNING:**

INSTALL PRODUCT IN ACCORDANCE WITH LOCAL AND NATIONAL ELECTRICAL CODES BY A QUALIFIED ELECTRICIAN.



**WARNING:**

FAILURE TO COMPLY WITH THE INSTALLATION INSTRUCTIONS MAY RESULT IN DEATH OR SERIOUS INJURY.



**WARNING:**

READ ALL SAFETY INSTRUCTIONS INCLUDED WITH LUMINAIRE BEFORE INSTALLING LUMINAIRE. SAVE INSTRUCTIONS FOR FUTURE USE.

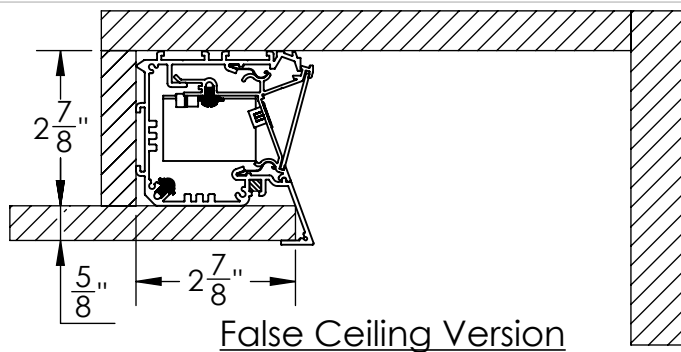
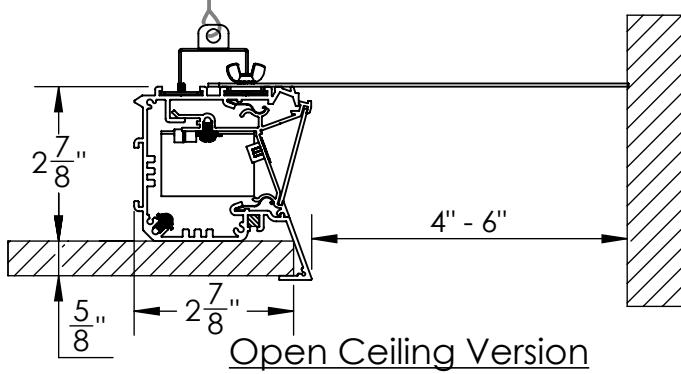
**CAUTION:**

THIS IS AN ELECTRONIC DEVICE. CARE MUST BE TAKEN DURING STORAGE AND HANDLING. STORE IN A CLEAN, COOL AND DRY LOCATION. ELECTROSTATIC DISCHARGE (ESD) CAN HARM THIS PRODUCT. AVOID STATIC DISCHARGE WHILE HANDLING THIS PRODUCT.

**CAUTION:**

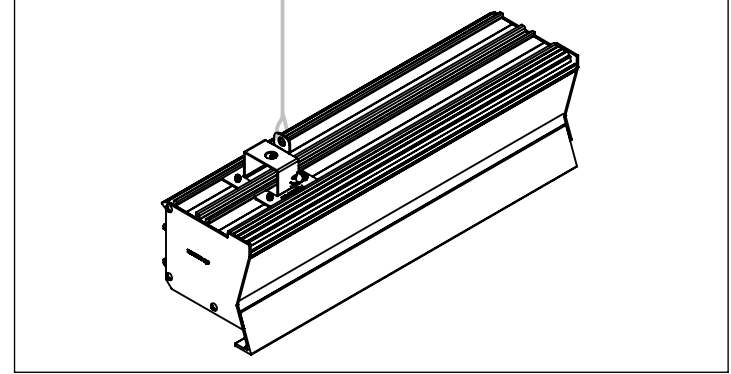
INTER-LUX IS NOT RESPONSIBLE FOR THE STRUCTURAL INTEGRITY OF THE BUILDING TO SUPPORT THE LUMINAIRE. ADDITIONAL BACKING MAY BE REQUIRED.

### Mounting Dimensions



Note: Z Cove Extrusions are designed to fit into 5/8" drywall.

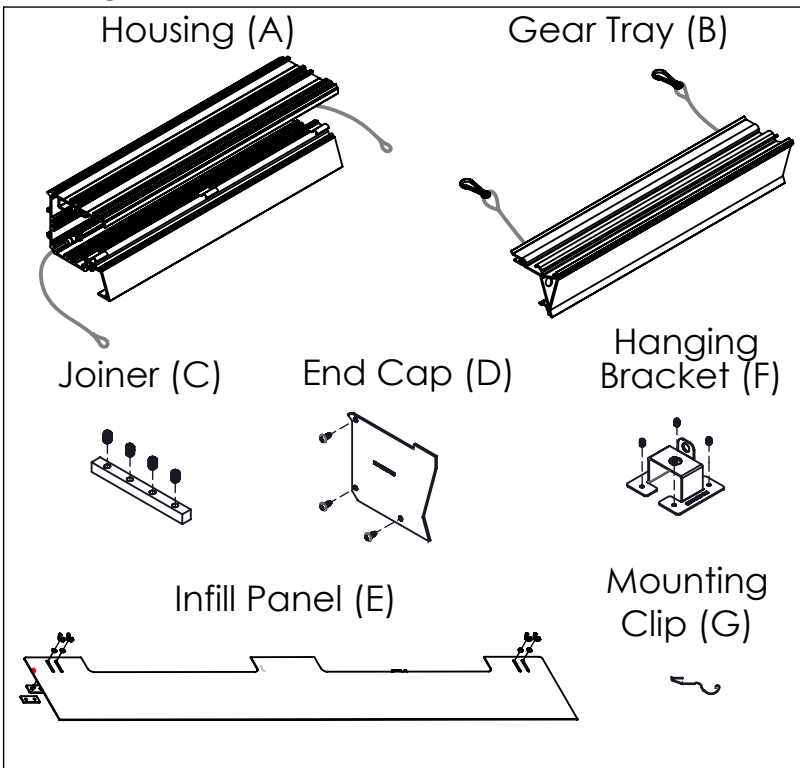
### Isometric View



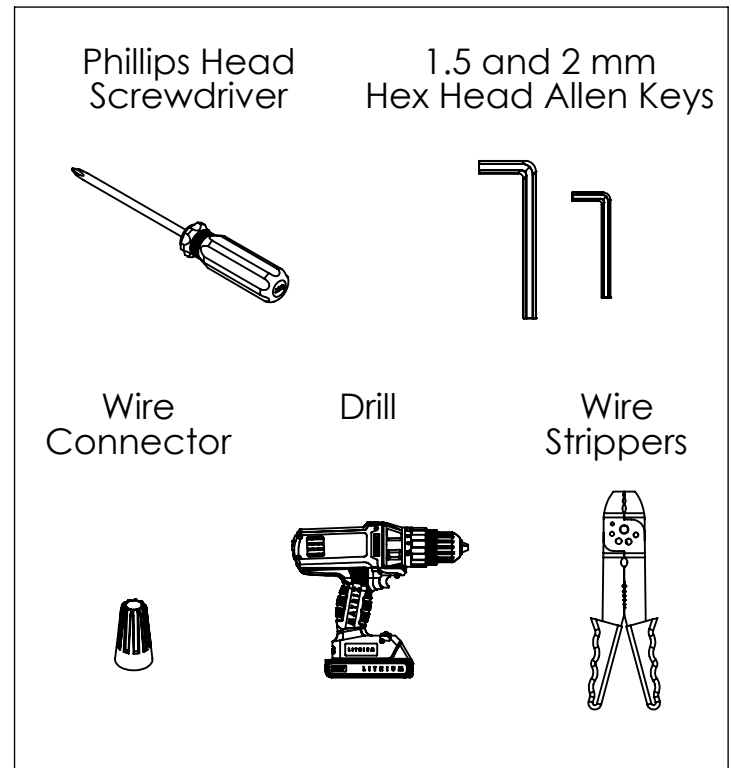
### Photo Rendering



### Package Includes:



### Items needed (supplied by others)





**WARNING:**

INSTALL PRODUCT IN ACCORDANCE WITH LOCAL AND NATIONAL ELECTRICAL CODES BY A QUALIFIED ELECTRICIAN.



**WARNING:**

FAILURE TO COMPLY WITH THE INSTALLATION INSTRUCTIONS MAY RESULT IN DEATH OR SERIOUS INJURY.



**WARNING:**

READ ALL SAFETY INSTRUCTIONS INCLUDED WITH LUMINAIRE BEFORE INSTALLING LUMINAIRE. SAVE INSTRUCTIONS FOR FUTURE USE.

**CAUTION:**

THIS IS AN ELECTRONIC DEVICE. CARE MUST BE TAKEN DURING STORAGE AND HANDLING. STORE IN A CLEAN, COOL AND DRY LOCATION. ELECTROSTATIC DISCHARGE (ESD) CAN HARM THIS PRODUCT. AVOID STATIC DISCHARGE WHILE HANDLING THIS PRODUCT.

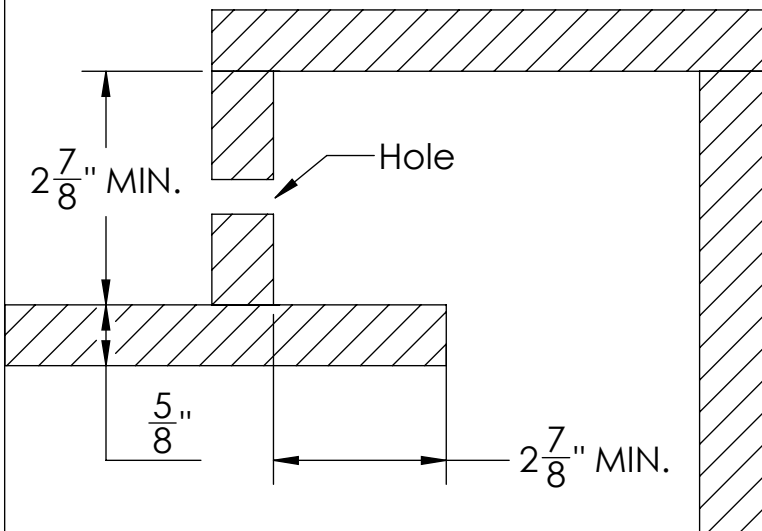
**CAUTION:**

INTER-LUX IS NOT RESPONSIBLE FOR THE STRUCTURAL INTEGRITY OF THE BUILDING TO SUPPORT THE LUMINAIRE. ADDITIONAL BACKING MAY BE REQUIRED.

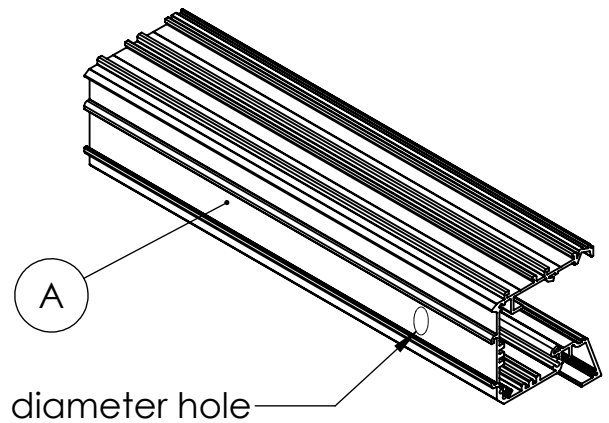
### INSTALLATION INSTRUCTIONS

LOCATE AND REVIEW ANY CONSTRUCTION PLANS AND INTER-LUX RECORD DRAWINGS FOR ALL FIXTURE RUNS. IT IS RECOMMENDED TO LOCATE AND LAY OUT ALL COMPONENTS FOR EACH FIXTURE "RUN". A FIXTURE RUN TYPICALLY CONSISTS OF JOINERS, LENGTHS OF HOUSING, AND ENDCAPS. BE SURE TO IDENTIFY ALL CORRECT LENGTHS FOR EACH FIXTURE RUN.

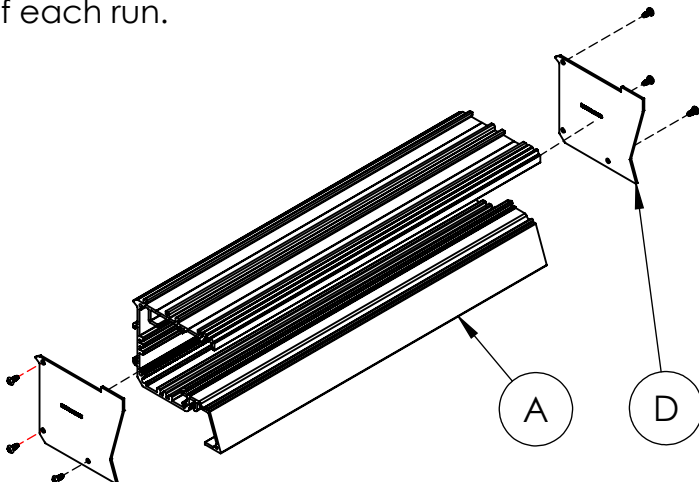
**Step 1; Prepare Ceiling:** For false ceiling version, construct a false ceiling from 5/8" thick drywall as shown below. Drill a hole through the drywall to feed power to the Luminaire.



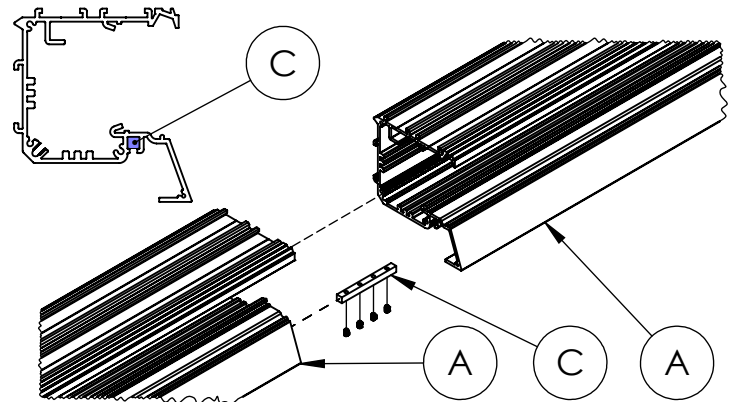
**Step 2; Prepare the Housing for Installation:** A  $\frac{7}{8}$ " hole for power feed is provided in Housing (A) at start of each run.



**Step 3; Installation of End Cap:** If your order is composed of standalone fixtures, they will come with End Caps (D) pre-installed. If your order a continuous run, you will need to install the provided End Caps (D) in the field, at end of each run.



**Step 4; Installation of Joiners:** If your order consists of stand alone fixtures, skip this step. If not, connect Housings (A) to each other using supplied Joiner Kits (C). Slide pins into square holes and push Housings (A) together, then center Joiner on the joint and drive screws in Joiner as shown below.



**WARNING:**  
INSTALL PRODUCT IN ACCORDANCE WITH LOCAL AND NATIONAL ELECTRICAL CODES BY A QUALIFIED ELECTRICIAN.

**WARNING:**  
FAILURE TO COMPLY WITH THE INSTALLATION INSTRUCTIONS MAY RESULT IN DEATH OR SERIOUS INJURY.

**WARNING:**  
READ ALL SAFETY INSTRUCTIONS INCLUDED WITH LUMINAIRE BEFORE INSTALLING LUMINAIRE. SAVE INSTRUCTIONS FOR FUTURE USE.

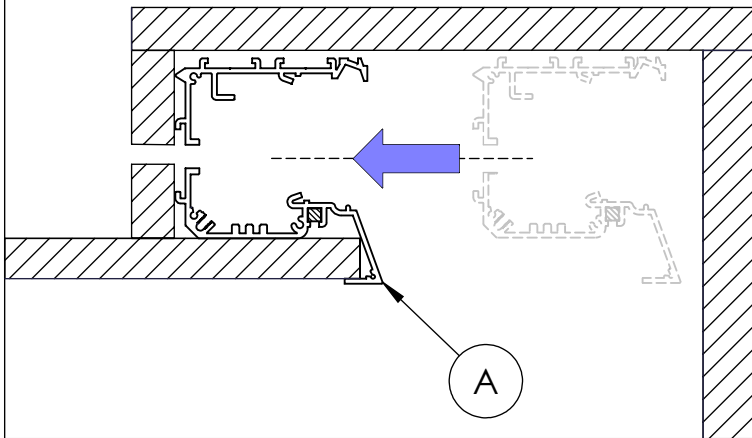
**CAUTION:**  
THIS IS AN ELECTRONIC DEVICE. CARE MUST BE TAKEN DURING STORAGE AND HANDLING. STORE IN A CLEAN, COOL AND DRY LOCATION. ELECTROSTATIC DISCHARGE (ESD) CAN HARM THIS PRODUCT. AVOID STATIC DISCHARGE WHILE HANDLING THIS PRODUCT.

**CAUTION:**  
INTER-LUX IS NOT RESPONSIBLE FOR THE STRUCTURAL INTEGRITY OF THE BUILDING TO SUPPORT THE LUMINAIRE. ADDITIONAL BACKING MAY BE REQUIRED.

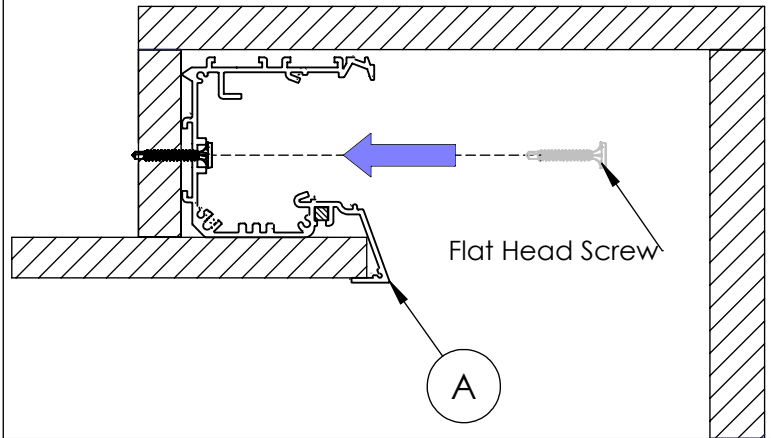
### INSTALLATION INSTRUCTIONS

LOCATE AND REVIEW ANY CONSTRUCTION PLANS AND INTER-LUX RECORD DRAWINGS FOR ALL FIXTURE RUNS. IT IS RECOMMENDED TO LOCATE AND LAY OUT ALL COMPONENTS FOR EACH FIXTURE "RUN". A FIXTURE RUN TYPICALLY CONSISTS OF JOINERS, LENGTHS OF HOUSING, AND ENDCAPS. BE SURE TO IDENTIFY ALL CORRECT LENGTHS FOR EACH FIXTURE RUN.

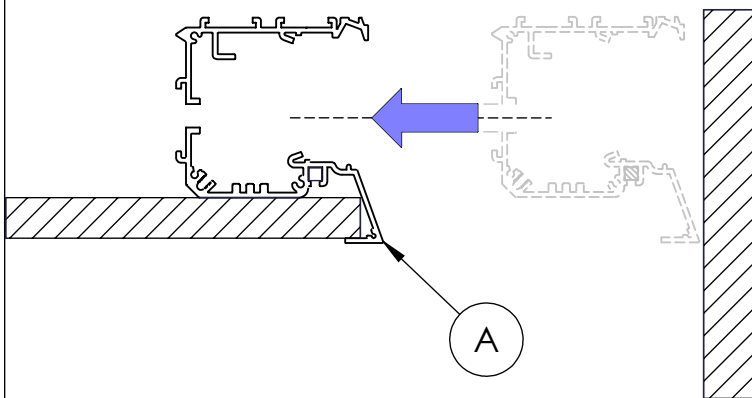
**Step 5; Insertion of Housing for false ceiling version:** Align the Housing (A) with false ceiling and insert as shown below.



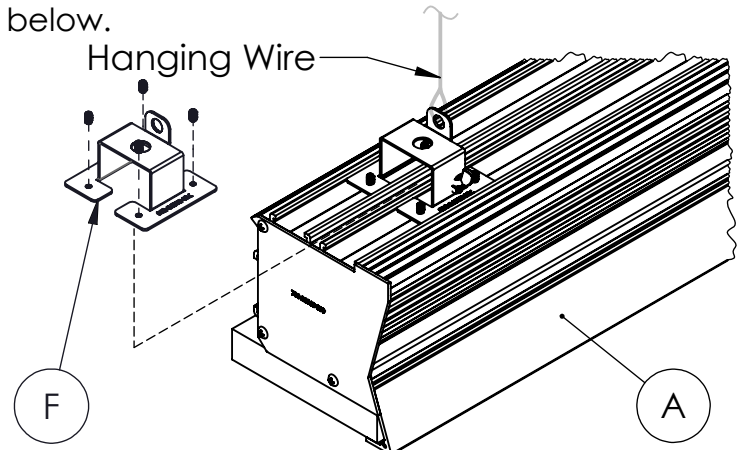
**Step 6; Fastening the Housing for false ceiling version:** Fasten Housing (A) to false ceiling by using a flat head type screw for every 16" of housing as shown below.



**Step 7; Insertion of Housing for open ceiling version:** In case of open ceiling version, align and insert the Housing (A) into ceiling as shown below.



**Step 8; Fastening the Housing for open ceiling version:** If required, secure Hanging Brackets (F) on Housings (A) by sliding them horizontally on top of extrusion. Fasten with provided set screws as shown below. Then, attach hanging wire or suspension rod on Hanging Bracket (F) as shown below.



**WARNING:**  
INSTALL PRODUCT IN ACCORDANCE  
WITH LOCAL AND NATIONAL ELECTRICAL  
CODES BY A QUALIFIED ELECTRICIAN.

**WARNING:**  
FAILURE TO COMPLY WITH THE  
INSTALLATION INSTRUCTIONS MAY  
RESULT IN DEATH OR SERIOUS INJURY.

**WARNING:**  
READ ALL SAFETY INSTRUCTIONS  
INCLUDED WITH LUMINAIRE BEFORE  
INSTALLING LUMINAIRE. SAVE  
INSTRUCTIONS FOR FUTURE USE.

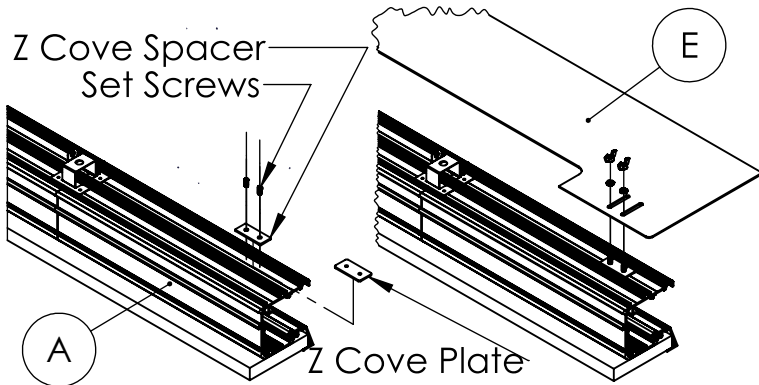
**CAUTION:**  
THIS IS AN ELECTRONIC DEVICE. CARE MUST BE TAKEN  
DURING STORAGE AND HANDLING. STORE IN A CLEAN, COOL  
AND DRY LOCATION. ELECTROSTATIC DISCHARGE (ESD) CAN  
HARM THIS PRODUCT. AVOID STATIC DISCHARGE WHILE  
HANDLING THIS PRODUCT.

**CAUTION:**  
INTER-LUX IS NOT RESPONSIBLE FOR THE  
STRUCTURAL INTEGRITY OF THE BUILDING TO  
SUPPORT THE LUMINAIRE. ADDITIONAL BACKING  
MAY BE REQUIRED.

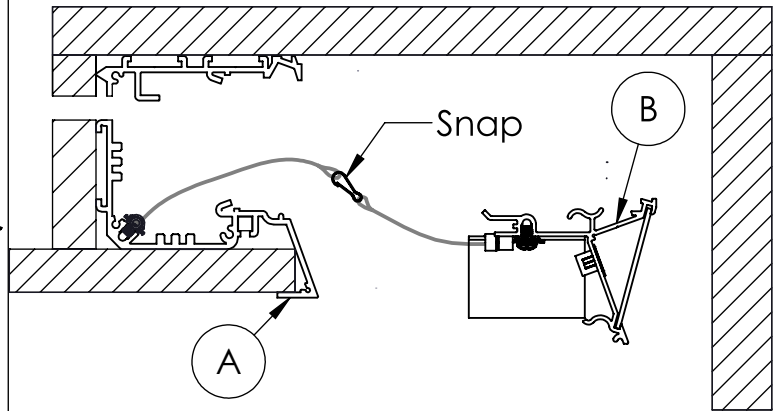
**INSTALLATION INSTRUCTIONS**

LOCATE AND REVIEW ANY CONSTRUCTION PLANS AND INTER-LUX RECORD DRAWINGS FOR ALL FIXTURE RUNS.  
IT IS RECOMMENDED TO LOCATE AND LAY OUT ALL COMPONENTS FOR EACH FIXTURE "RUN". A FIXTURE RUN TYPICALLY CONSISTS OF JOINERS, LENGTHS OF HOUSING, AND ENDCAPS.  
BE SURE TO IDENTIFY ALL CORRECT LENGTHS FOR EACH FIXTURE RUN.

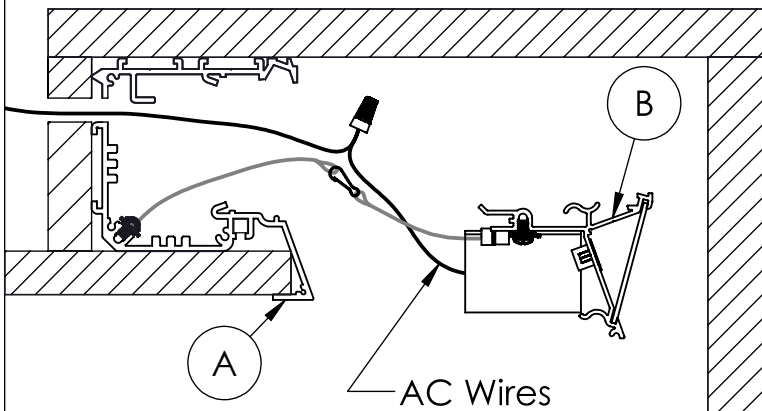
**Step 9; Installation of Infill Panel:** First, slide Z Cove plate though channels on the top of Housing (A), then place Z Cove spacer on it, and fasten them together with set screws. Secondly, lower infill panel on Housing (A) such that set screws will enter on slots located on infill panel. Then, fasten them together with wingnuts and lock washers.



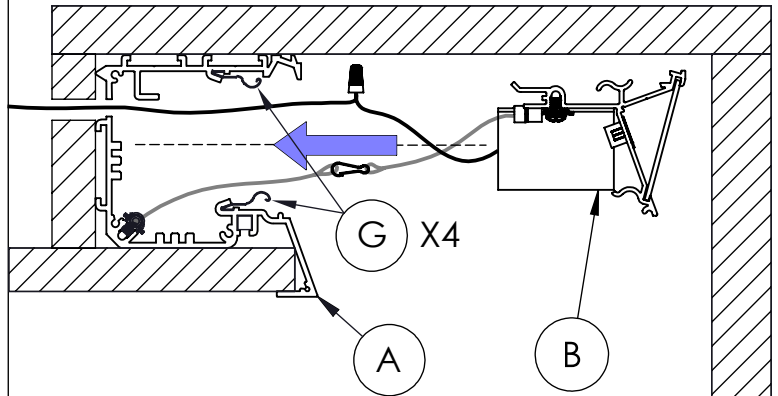
**Step 10; Installation of Safety Cable:** Attach the snaps located on the ends of safety cables of Gear Tray (B) to the safety cables of Housing (A). Follow same procedure for open ceiling and flase ceiling versions.



**Step 11; Wiring Installation:** Pull AC wires through holes on false ceiling and Housing (A). Connect the AC wires to wires of Driver box located on Gear Tray (B).



**Step 12; Installation of Gear Tray and testing.** Slide Mounting Clips (G) into Housing (A). Gently insert the Gear Tray (B) into Housing (A) until it snaps properly into Housing (A). Finally, power the fixture to test proper operation.



**WARNING:**  
INSTALL PRODUCT IN ACCORDANCE WITH LOCAL AND NATIONAL ELECTRICAL CODES BY A QUALIFIED ELECTRICIAN.

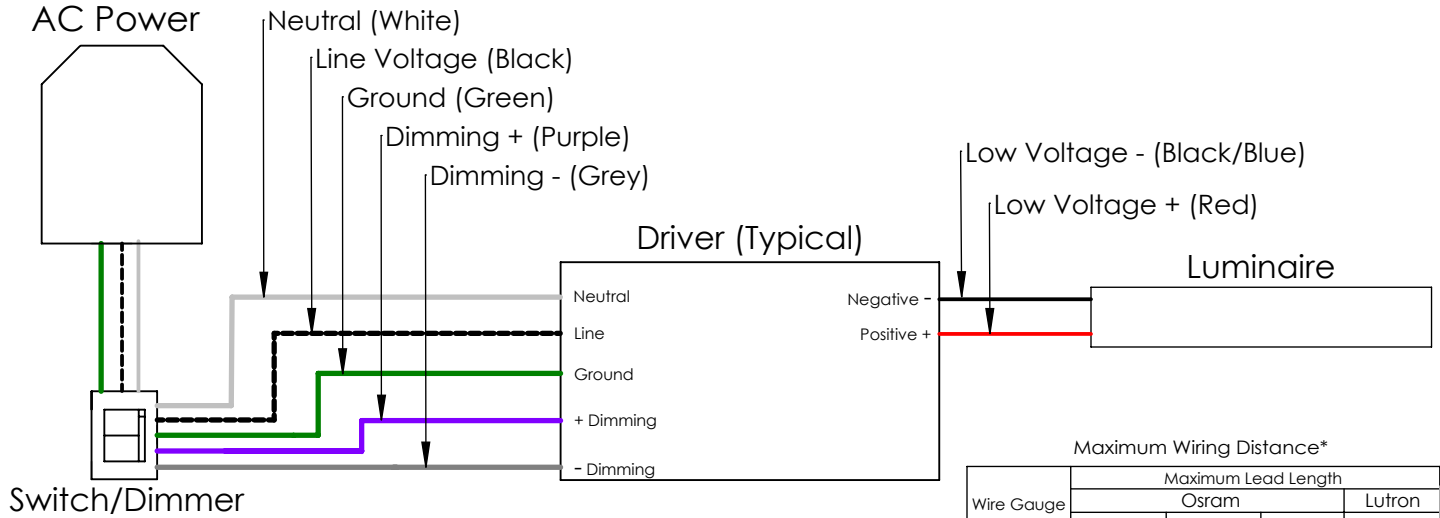
**WARNING:**  
FAILURE TO COMPLY WITH THE INSTALLATION INSTRUCTIONS MAY RESULT IN DEATH OR SERIOUS INJURY.

**WARNING:**  
READ ALL SAFETY INSTRUCTIONS INCLUDED WITH LUMINAIRE BEFORE INSTALLING LUMINAIRE. SAVE INSTRUCTIONS FOR FUTURE USE.

**CAUTION:**  
THIS IS AN ELECTRONIC DEVICE. CARE MUST BE TAKEN DURING STORAGE AND HANDLING. STORE IN A CLEAN, COOL AND DRY LOCATION. ELECTROSTATIC DISCHARGE (ESD) CAN HARM THIS PRODUCT. AVOID STATIC DISCHARGE WHILE HANDLING THIS PRODUCT.

**CAUTION:**  
INTER-LUX IS NOT RESPONSIBLE FOR THE STRUCTURAL INTEGRITY OF THE BUILDING TO SUPPORT THE LUMINAIRE. ADDITIONAL BACKING MAY BE REQUIRED.

### Wiring Key



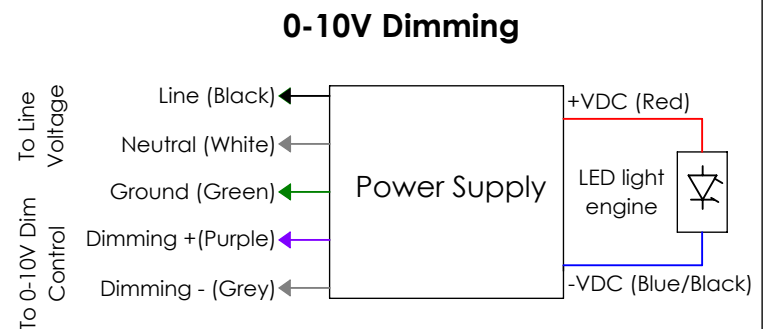
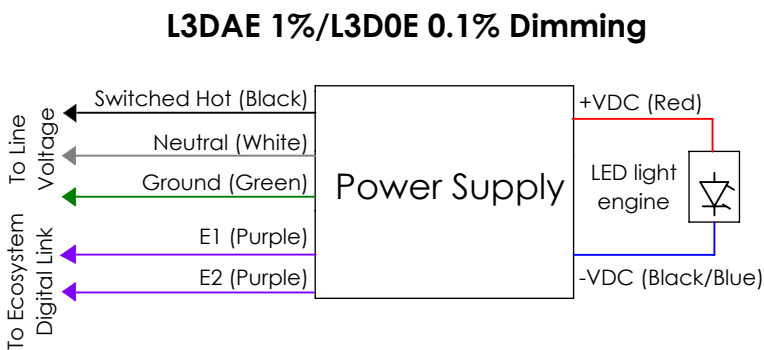
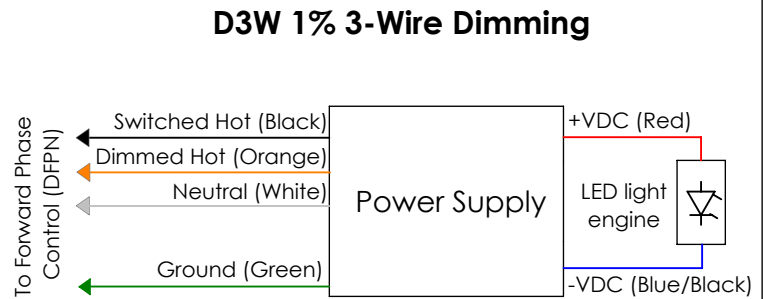
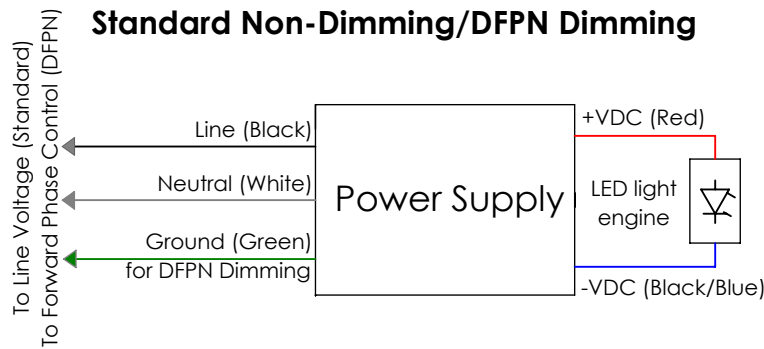
|          |            |        |       |         |           |           |
|----------|------------|--------|-------|---------|-----------|-----------|
| Red      | Blue/Black | Green  | Black | White   | Purple    | Grey      |
| Positive | Negative   | Ground | Line  | Neutral | Dimming + | Dimming - |

Maximum Wiring Distance\*

| Wire Gauge | Maximum Lead Length |       |       |       |
|------------|---------------------|-------|-------|-------|
|            | ≤ 48W               | ≤ 72W | ≤ 96W | ≤ 40W |
| #18AWG     | 37'                 | 25'   | 18'   | 15'   |
| #16AWG     | 59'                 | 39'   | 29'   | 25'   |
| #14AWG     | 95'                 | 63'   | 47'   | 40'   |
| #12AWG     | 151'                | 101'  | 75'   | 60'   |

\*Actual Voltage drop to be calculated by installer

### Driver Wiring Diagrams



**NOTE: ALL SHOWN DRIVERS ARE INTER-LUX PROVIDED. FOR NON INTER-LUX PROVIDED DRIVERS PLEASE REFER TO DRIVER MANUFACTURERS. THE USE OF NON INTER-LUX PROVIDED DRIVERS VOIDS PRODUCT WARRANTY.**