

Z Cove

A knife edge perimeter slot system for continuous illumination of vertical surfaces available in any dimension to fully integrate with the architecture

- Linear perimeter slot system featuring plaster-in precision knife edge for clean, minimal effect.
- No visibility of light source when viewed from directly below knife edge.
- Delivers continuous soft wash of light to adjacent surface.
- Satin Diffuser for high efficiency and soft edge beam without striations.
- Finished wall is illuminated from above the ceiling plane.
- Removable light source sub assembly for ease of installation and maintenance.
- High efficiency linear LED in a range of outputs, including static white, tunable white, warm dim and RGBW.
- Integral drivers and through wiring.
- Lengths and angles factory cut to exact field dimensions.
- Mitered and welded corners available with continuous illumination.
- Made in the USA.

Housing Precision extruded aluminum for true dimensions and tolerances
Alignment hardware for invisible seam from below
Housing provided in any exact length
Unitized gear tray with LEDs for easy final installation
Standard and tailored lengths
Wall mounting allows the finished wall to extend above the ceiling plane.
Infill top panel (optional)
Corners: standard and non-standard
Finishes: RAL 9010 white 15% gloss

Integration Fixation into gypsum, hard ceilings and all grid ceiling types

Distribution Asymmetric forward throw with max. beam at 40 degrees from nadir
Redirected light for soft, even illumination of the top of the wall
Satin clear diffuser for wide, diffuse and efficient light emission

LED >90 CRI, 3-Step MacAdam, 2700-4000K static white
1.5W - 15W per foot, 180 nominal lumens per watt average, constant current
Tunable white 2200-4000K, 80 nominal lumens per watt average
Warm Dim to emulate incandescent when dimming; 75 nominal lumens per watt average
RGBW, 50 nominal lumens per watt
L70 (TM21 Projected 85C) Static White / Tunable White = 72,000 hours, RGBW = 50,000 hours, WD = 36,000 hours

Lens SDC - satin clear dust cover for wipe down applications

Driver Integral driver
Compatible with quality constant current (Static White / Tunable White) and constant voltage (WD / RGBW) drivers

Connectivity POE
Wireless

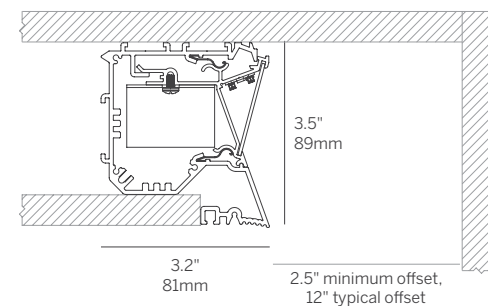
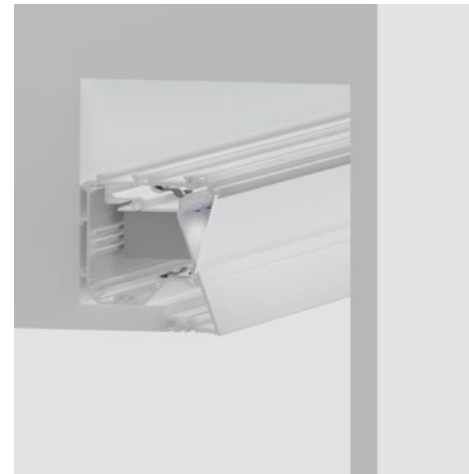
Weight 3lbs per foot

Operating Temp Suitable for operation in maximum ambient temperature of 35C (95F)

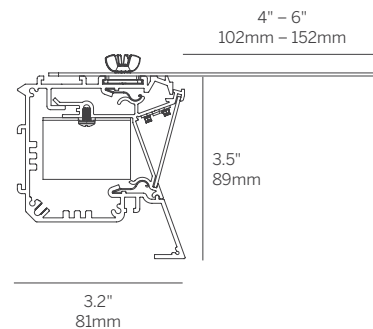
Warranty 5-year Limited (see complete company warranty information)

Certifications ETL and ETL-C for dry and damp location, CE

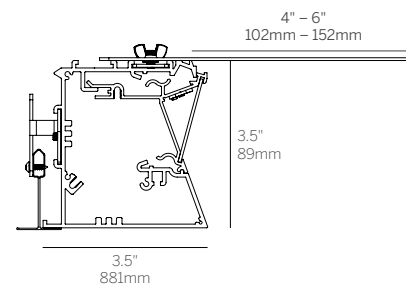
Voltages 120-277VAC



Gypsum Ceiling Mounting
Plaster Trim (RPT)



Bezel Trim (RBT)
Shown with optional in-fill panel



Grid Trim (RGT)

technical
information

Z Cove

Model	Fixation	Pattern	Length	Power ³	CRI/ CCT ⁴	Driver ⁶	In-fill	Lens	Finish ⁷	Options
WG-ZC	RPT RBT RGT	S ¹ PI ² PO ² PZ ²	A A x B A x B x C A x B x A x B	P0	927	E1	X P4 P5 PX	SDC (std)	W (std) F	EM
				P1	930	L1				
				P2	935	POE				
				P3	940	BT				
				P4	TW ⁵	DALI TQ				
				L M H	WD RGBW	D010 L3DAE L3DOE EL96 DMX				

Model

- WG-ZC = Z Cove Flat Diffuser

Fixation

- RPT = Recessed plaster trim
- RBT = Recessed bezel trim
- RGT = Recessed grid trim

Pattern

- S = Straight run¹
- PI = Standard patterns 2, 3, or 4 sided with 90° inside corners on the same plane²
- PO = Standard patterns 2, 3 or 4 sided with 90° outside corners on the same plane²
- PZ = Non-standard patterns and/or corners other than 90°, consult factory²

Length

- A, B, C = specify inches to the nearest 0.25" (i.e. 72.25") For patterns specify each length (i.e. 2 sided: A x B = 72.25" x 48"; 3 sided: A x B x C; 4 sided: A x B x A x B)

Power³

- P0 = 1.5 W/ft
- P1 = 3 W/ft
- P2 = 6 W/ft
- P3 = 10 W/ft
- P4 = 15 W/ft
- L = 2.7 W/ft WD low power (24V)
- M = 5.5 W/ft WD medium power (24V) [RGBW 7.6 W/ft]
- H = 8W/ft WD high power (24V)

CRI / CCT (90+ CRI minimum)⁴

- 927 = 2700K
- 930 = 3000K
- 935 = 3500K
- 940 = 4000K
- TW = Tunable White 2200K - 4000K⁵
- WD = Warm Dim 1800K-3000K
- RGBW = 3000K White

Driver (integral)⁶

- E1 = eldoLED 0.1% dimming, 0-10V (120-277V)
- L1 = Lutron 1% dimming, EcoSystem (120-277V)
- POE = Power over Ethernet
- BT = Wireless CAS - Casambi (Must specify BT with E1 or DALI)
- DALI = eldoLED DALI DT8 0.1% (120-277V)
- TQ = T-series for Lutron Quantum 0.1% (120-277V) [TW only]
- D010 = Osram, 10%, 0-10V dimming, 120-277V [WD only]
- L3DAE = Lutron Hi-lume 1% EcoSystem, 120-277V [WD only]
- L3DOE = Lutron Hi-lume Premier 0.1% EcoSystem, 120-277V (remote) [WD only]
- DMX = Osram + eldoLED 24V, DMX dimming [WD + RGBW Only]

In-fill

- X = No in-fill panel
- P4 = 4" - 5" adjustable in-fill panel
- P5 = 5" - 6" adjustable in-fill panel
- PX = Custom in-fill panel (contact factory)

Lens

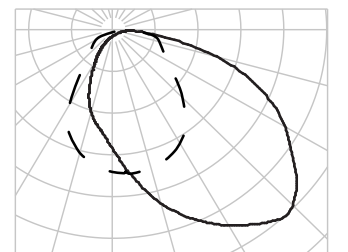
- SDC = Satin clear diffuser (standard)

Finish⁷

- W = White, 15% gloss, RAL 9010 / Tiger Drylac 009/10120 (standard)
- F = Custom finish, specify RAL

Options

- EM = Emergency LED driver (remote)



Polar Plot

Whitegoods reserves the right to change any information without prior notice.

Notes

- Standard setup assumes the cove ends at a perpendicular wall and the LED board is setback from the end to minimize light on the perpendicular wall. Contact us for options.
- See pattern specsheet.
- Wattage shown does not include power supplies/drivers.
- Refer to specsheet for delivered lumen data for all product configurations.
- TW offered up to P3 (10W/ft) power level.
- See power supply page for details.
- See Tiger Drylac color chart: inter-lux.com/tiger.