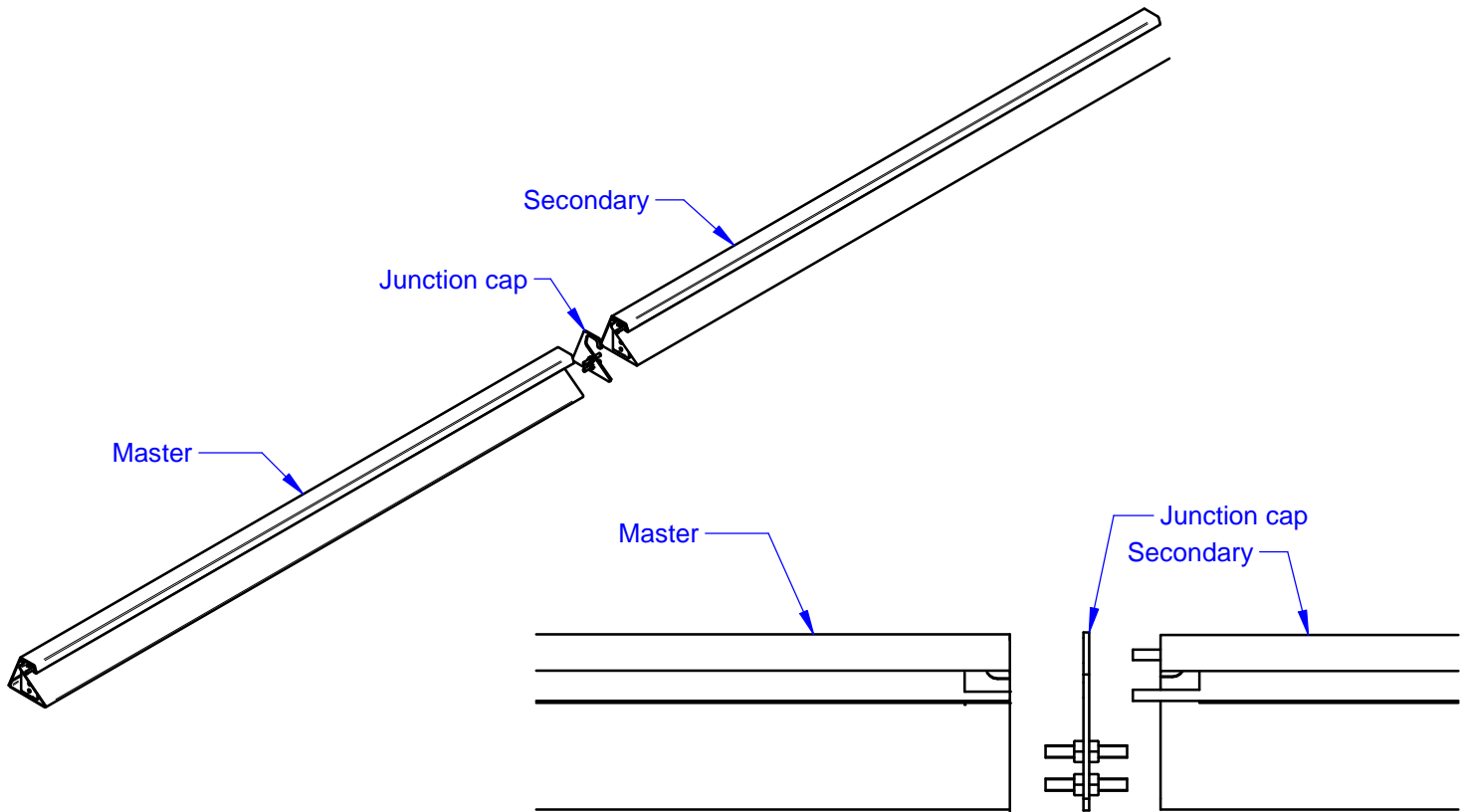
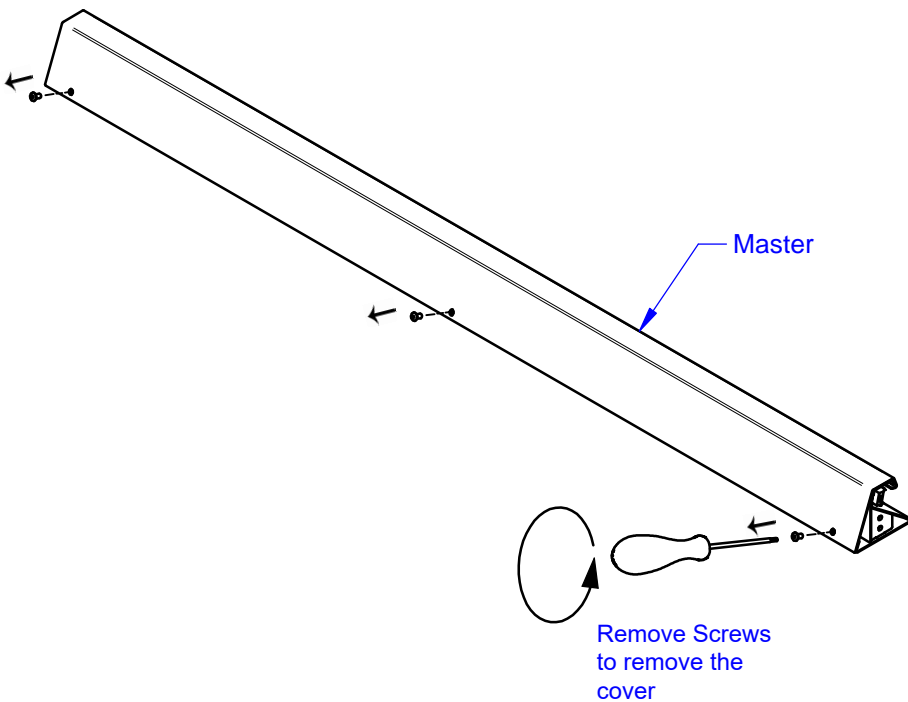


DIRIGO_M1 STEEL

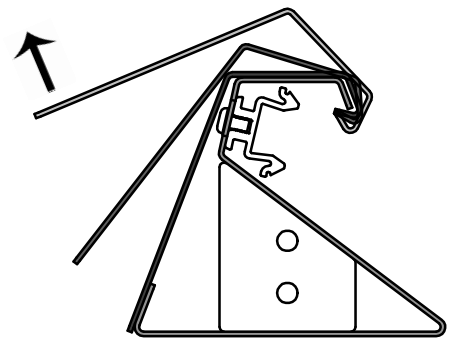


1

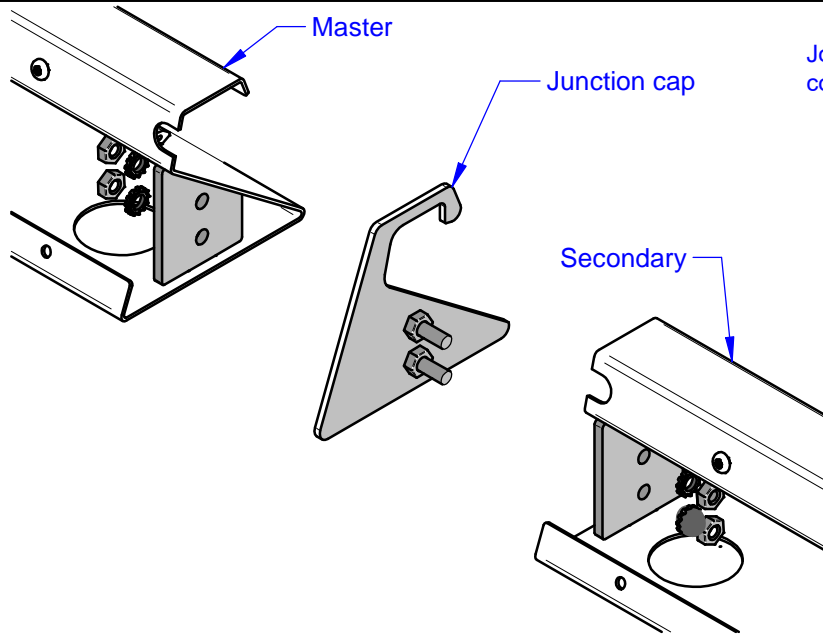


2

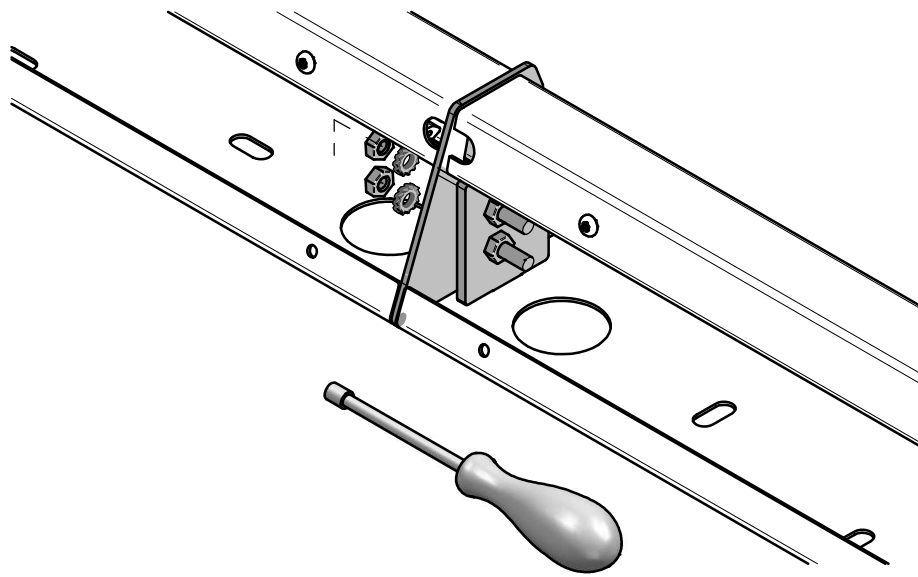
Once Screws
are removed, lift
up to remove
cover



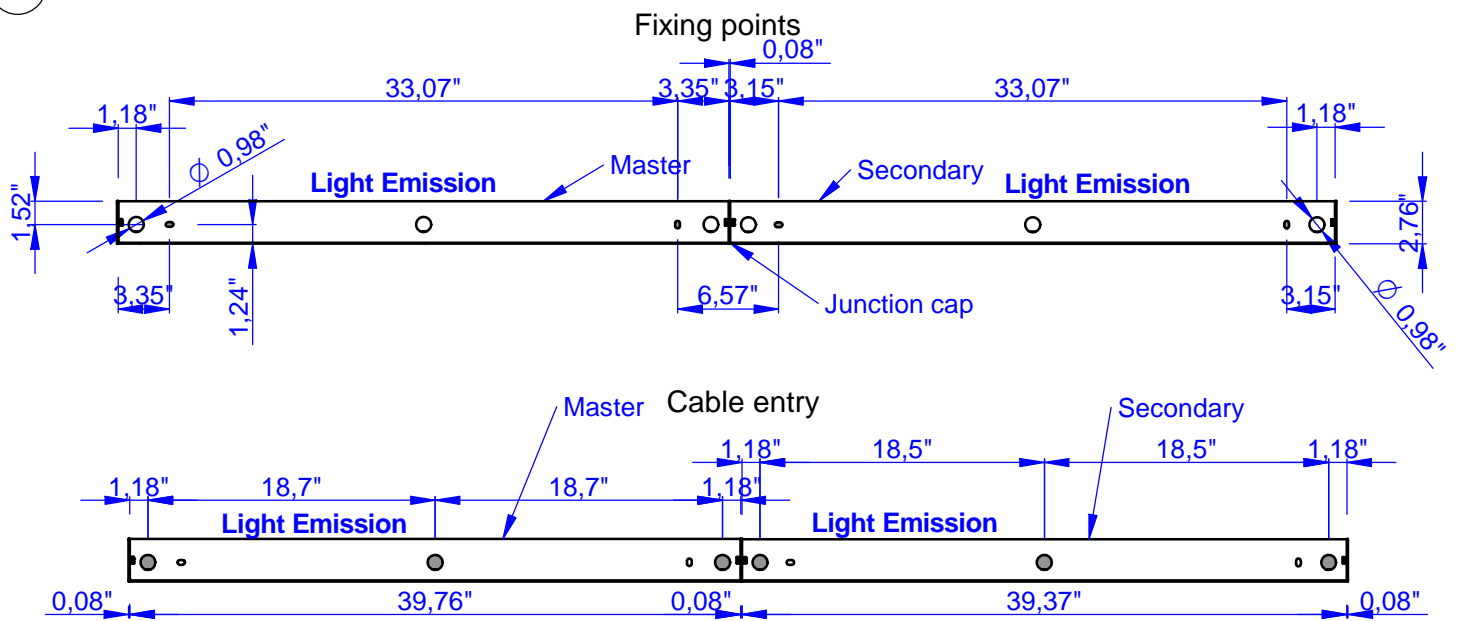
3.A



3.B

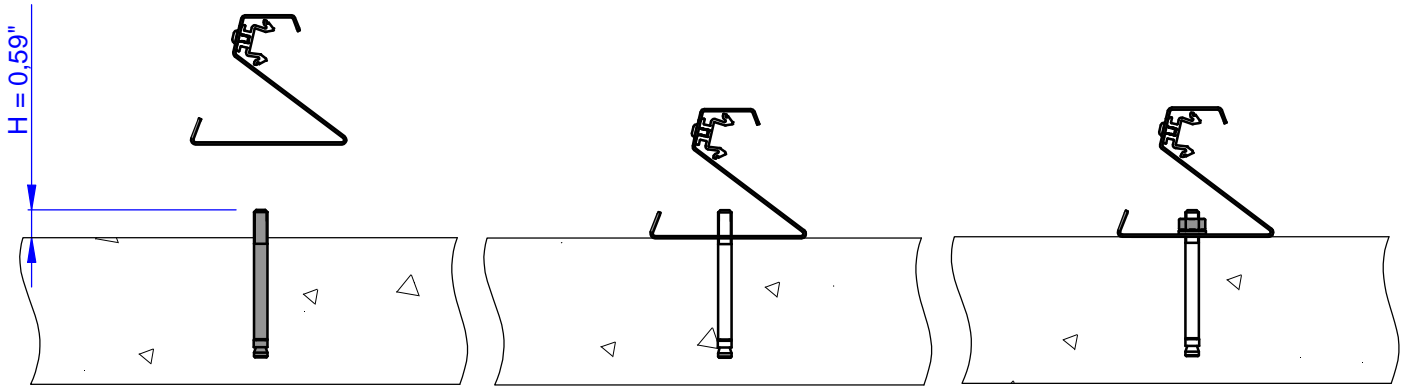


4



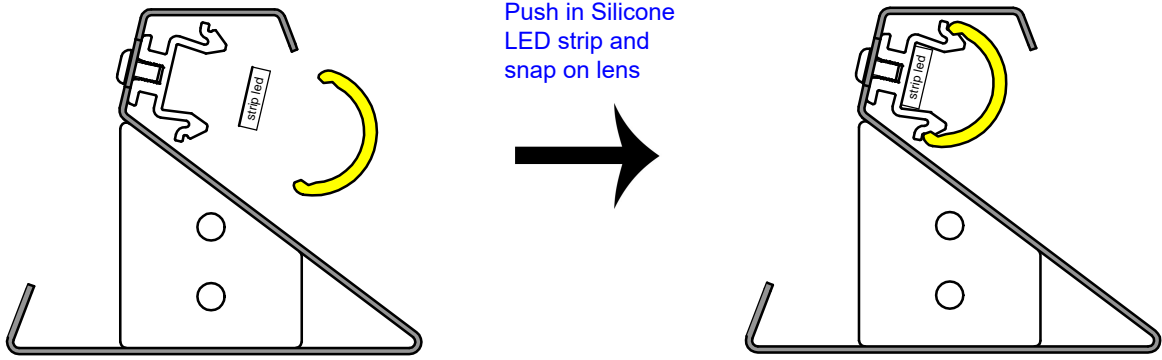
5

Mount housing to the ground/surface using anchors (not included)

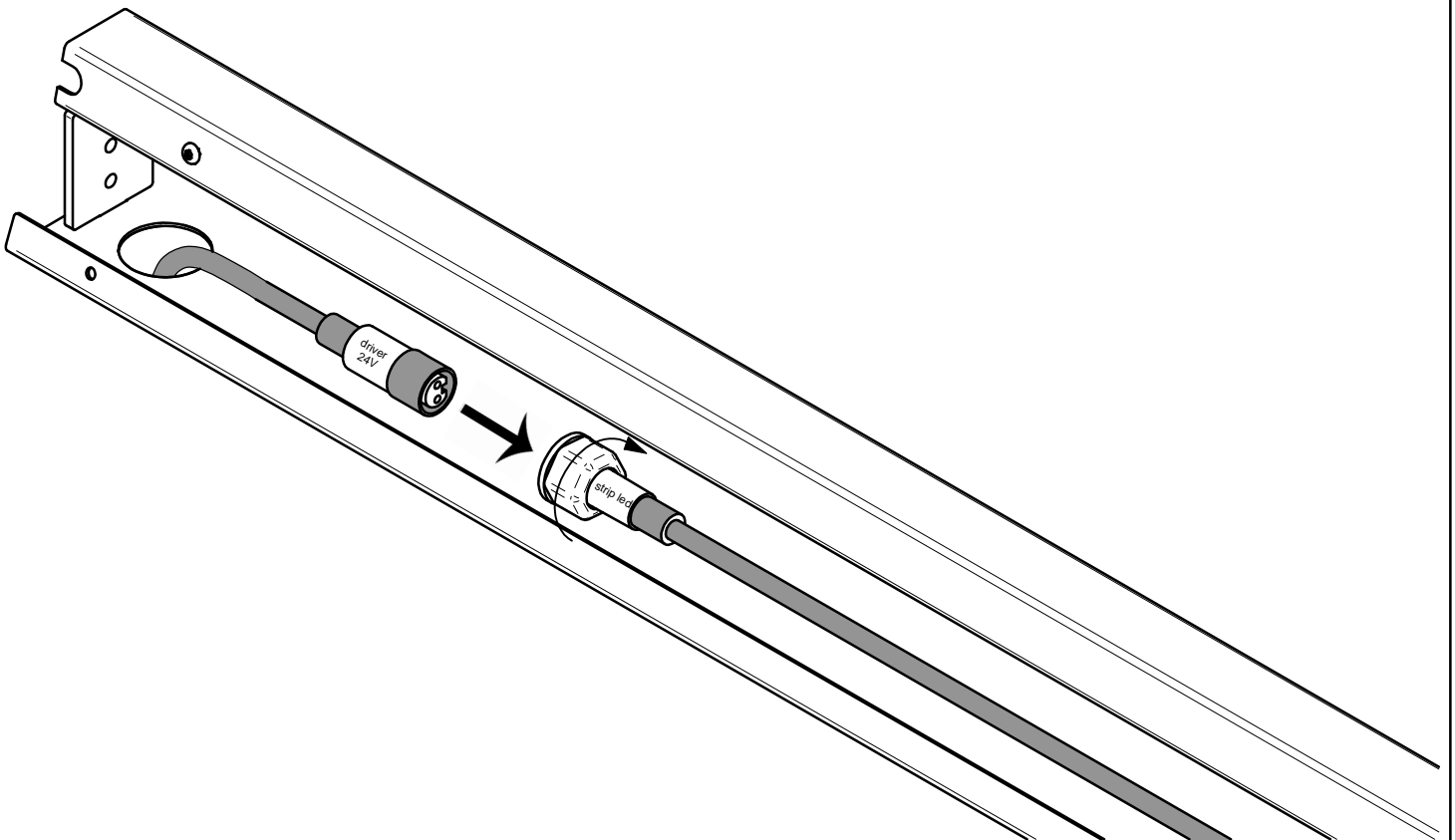


6

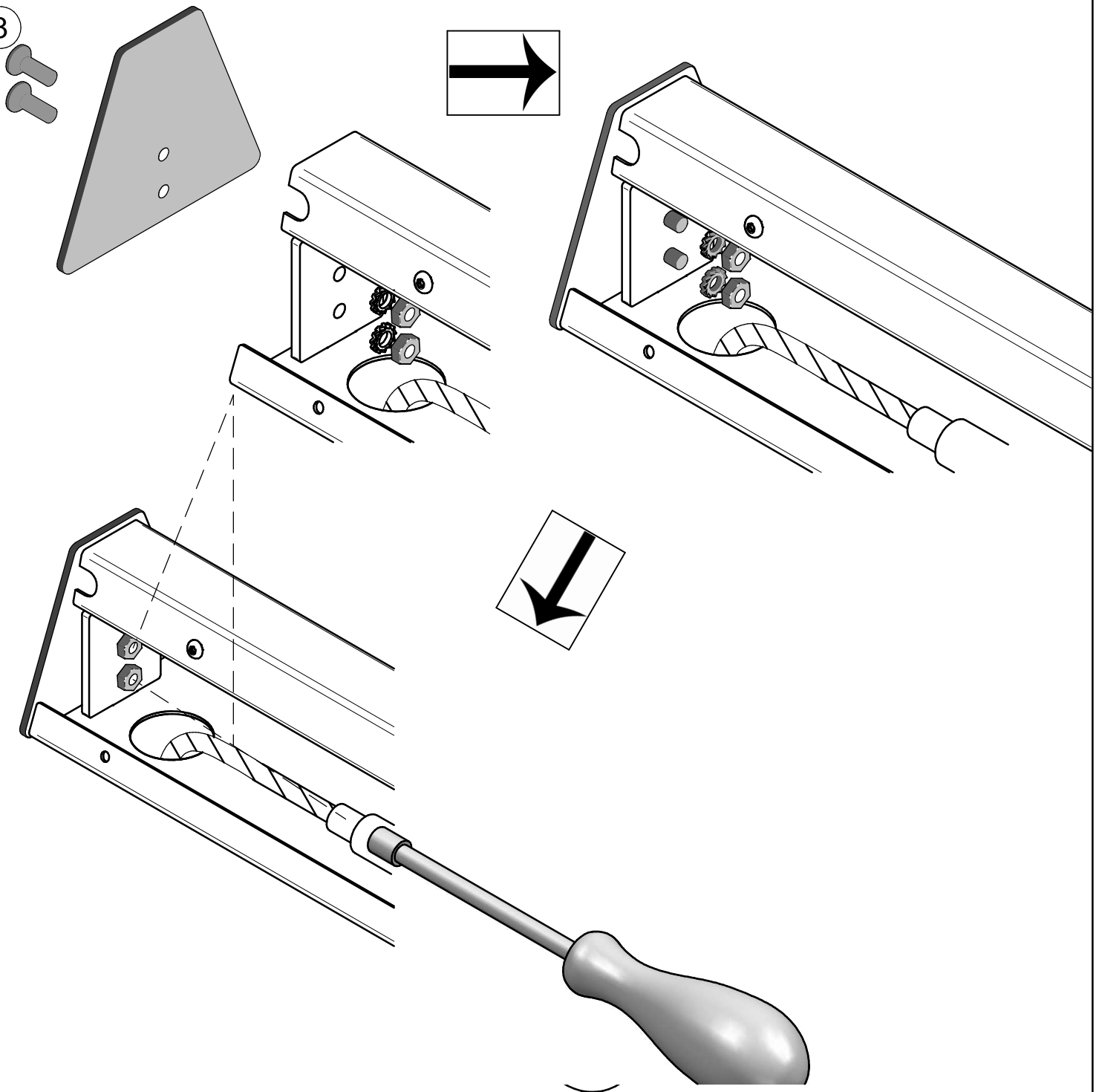
Push in Silicone LED strip and snap on lens



7

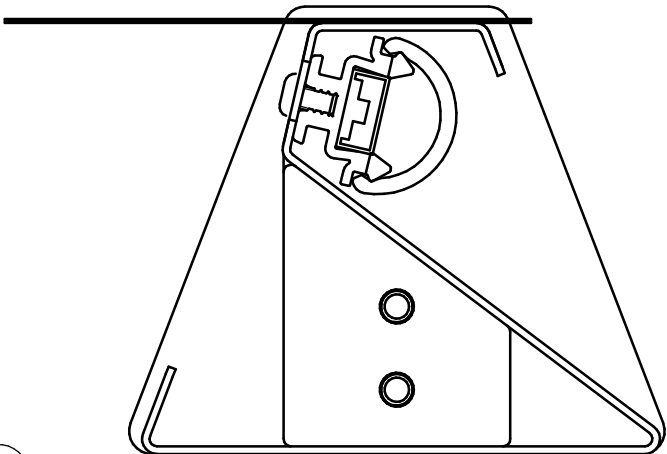


8

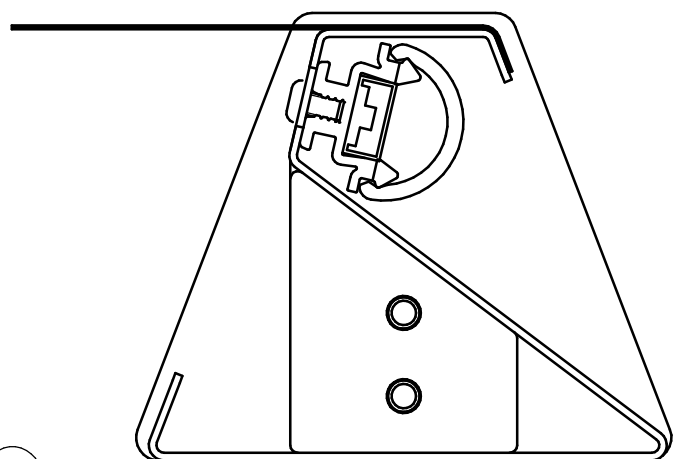


Note: Place the tape on the inside of the end cap.

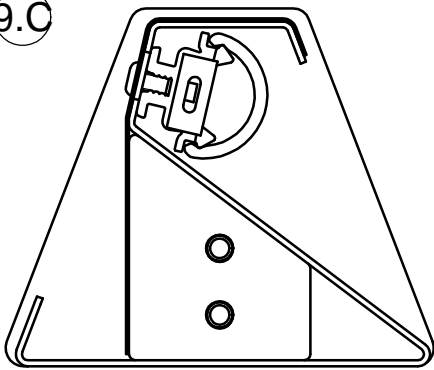
9.A



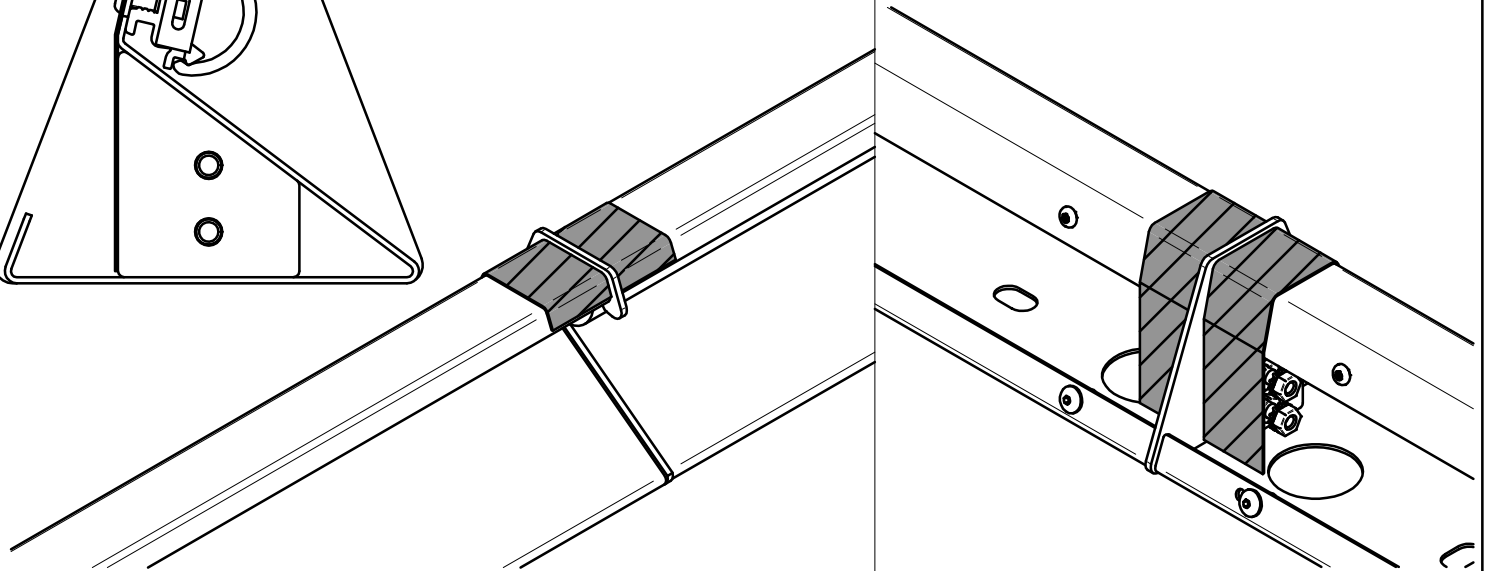
9.B



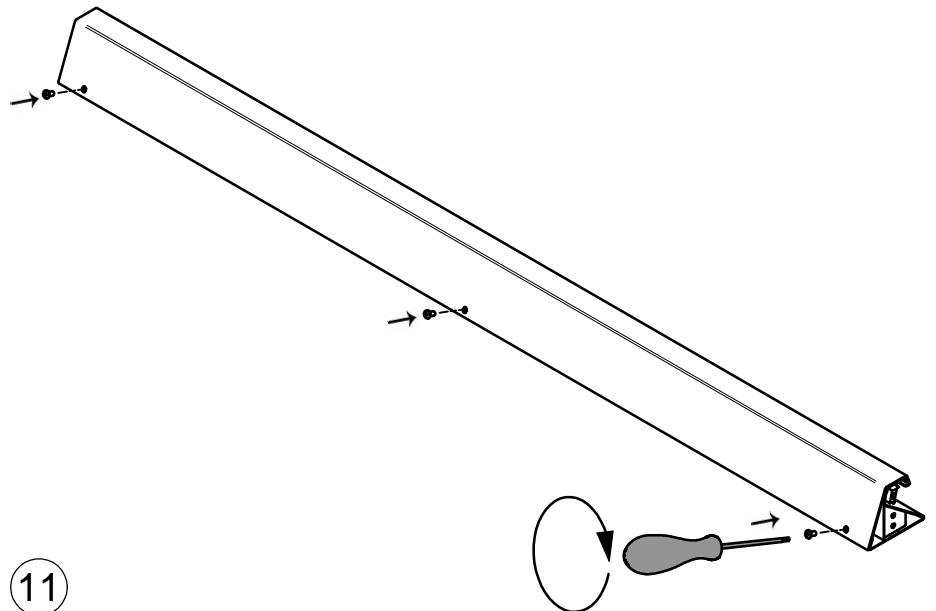
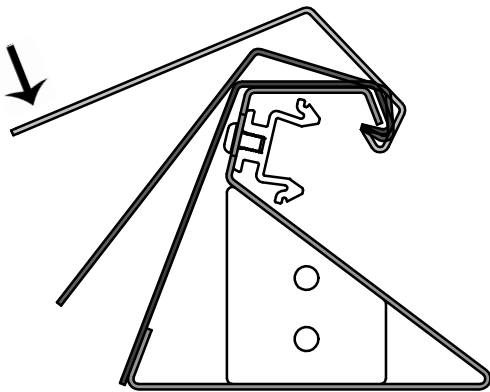
9.C



9.D



10



11

INSTRUCTIONS FOR CORRECT ASSEMBLY, USE AND MAINTENANCE

WARNING: This instruction sheet must be consulted and retained by the person responsible for installation and ordinary and extraordinary maintenance. Before beginning installation or maintenance operations switch off the mains supply. All these operations must be carried out by a specialised technician. Tampering or modifying the product or failing to comply with the instructions below will void the guarantee and could render the product dangerous. Given that this fixture may reach high temperatures it is important to ensure that persons, animals or other objects do not come into direct contact with it. TRADDEL disclaims all responsibility for damage caused by products that have been not been assembled in compliance with the instructions.

THIS PRODUCT MUST BE INSTALLED IN ACCORDANCE WITH THE APPLICABLE INSTALLATION CODE BY A PERSON FAMILIAR WITH THE CONSTRUCTION AND OPERATION OF THE PRODUCT AND THE HAZARDS INVOLVED

MOUNTING INSTRUCTIONS

READ ALL OF THESE INSTRUCTIONS BEFORE INSTALLING FIXTURES

- CAUTION: USE ONLY WITH CLASS 2 POWER UNIT
- Keep all of the instructions for future reference
- Turn off power before installing fixture
- Installation is to be performed by a qualified electrician only
- All installations must conform to the National Electrical Code as well as all local jurisdictional codes and regulations
- Any modification of the luminaire will void any and all written or implied warranties
- The manufacture accepts no responsibility for damage to persons or property arising through improper use or installation