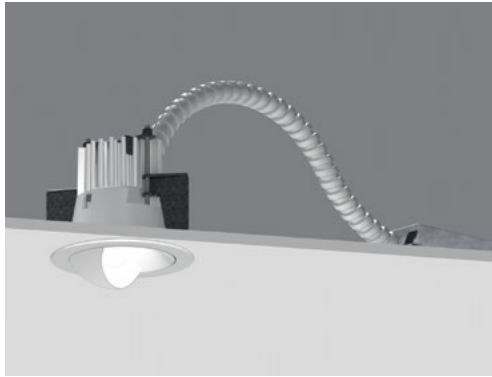


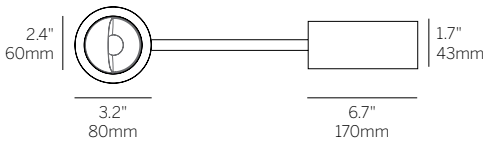
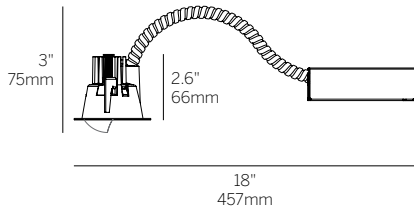
# 2.4" General Downlight

## Round Wall Wash

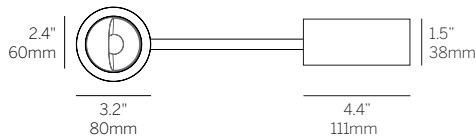
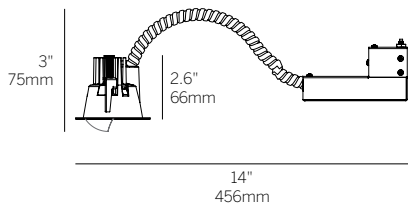


### Ordering Information

Model	Fixation	Power <sup>1</sup>	CRI/CCT <sup>2,3</sup>	Driver	Lens	Trim Finish <sup>4</sup>	Cone Finish <sup>4</sup>	Options
WG-60RGDL	RBT	L M H	927 930 935 940	X S S010 SPH RD010 RPEQ0	RWW	W (std) S F	W (std) S F	CP <sup>5</sup> IC <sup>5</sup> NC <sup>5</sup> LP <sup>5</sup> SH WL



Standard housing



Shallow housing (SH)

### Luminaire

- 2.4" (60mm) small aperture, low brightness downlight for general illumination.
- Suitable for interior use only.
- Installation from below the ceiling for remodel and new construction.
- Integral or remote driver. Integral driver requires 4.5" (114mm) minimum ceiling clearance (void).
- White finish standard.

### Fixation

- RBT = Recessed bezel trim

### Power<sup>1</sup>

- L = Low Power, 5.9W @ 350mA
- M = Mid Power, 8.6W @ 500mA
- H = High Power, 12.4W @ 700mA

### CRI/CCT<sup>2,3</sup>

90+ CRI (Low/Medium/High Power)

- 927 = 2700K, (364/495/654 lm)
- 930 = 3000K, (392/533/704 lm)
- 935 = 3500K, (392/533/704 lm)
- 940 = 4000K, (419/571/753 lm)

### Driver

- X = Driver ordered separately

### Integral

- S = Standard non-dim driver, 120-277V
- S010 = 0-10V >10% dimming, 120-277V
- SPH = Standard Phase Dimming, 120VAC (available in low and medium power only)

### Remote

- RD010 = EdoLED, 1%, 0-10V dimming, 120-277V
- RPEQ0 = Lutron Hi-lume Premier 0.1% EcoSystem, SoftOn/FadeToBlack, 120-277V

### Lens

- RWW = Round wall wash

### Trim Finish<sup>4</sup>

- W = White, 15% gloss, Tiger Drylac 49/11350 (standard)
- S = Silver, 15% gloss, Tiger Drylac 49/90500
- F = Custom finish, specify RAL

### Cone Finish<sup>4</sup>

- W = White, 15% gloss, Tiger Drylac 49/11350 (standard)
- S = Silver, 15% gloss, Tiger Drylac 49/90500
- F = Custom finish, specify RAL

### Options

- CP = Chicago Plenum Housing<sup>5</sup>
- IC = Insulated Ceiling Housing<sup>5</sup>
- NC = New Construction Housing<sup>5</sup>
- LP = Landing Pan<sup>5</sup>
- SH = Reduces required plenum space to 3.5" (89mm) (available in low and medium power S, S010 and SPH drivers only)
- WL = Wet Location
- To specify multiple options, select the appropriate grouped codes from drop-down e.g. SH-WL

### Emergency

- Emergency LED driver available, order separately (remote)

<sup>1</sup> Wattage shown does not include power supplies/drivers. System wattage adds 10-20%.

<sup>2</sup> Other lumen packages available, consult factory.

<sup>3</sup> Delivered lumens shown. See page 4 for additional details.

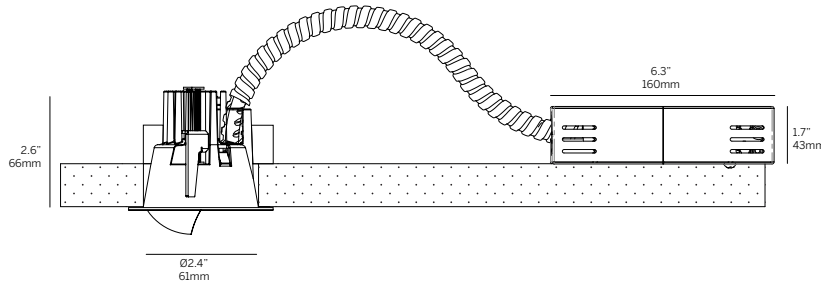
<sup>4</sup> See Tiger Drylac color chart: [inter-lux.com/tiger](http://inter-lux.com/tiger)

<sup>5</sup> See housings page for details.

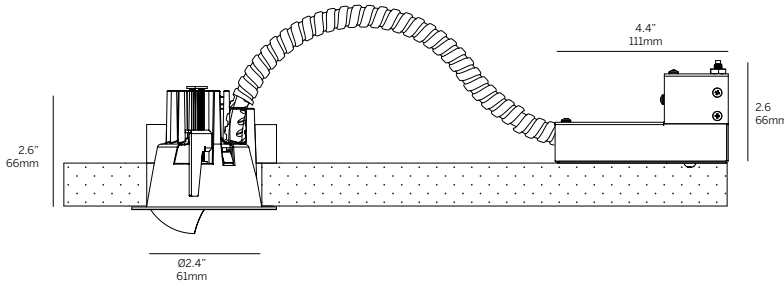


# 2.4" General Downlight

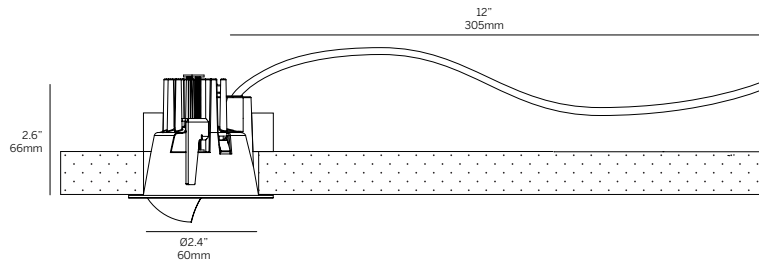
## Round Wall Wash - Dimensions



Integral Driver (standard)<sup>1,3</sup>



Integral Driver (shallow - SH)<sup>2,3</sup>

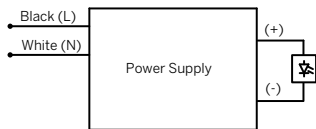


Remote Driver<sup>2,3</sup>

- 1 Requires 4.5" minimum ceiling clearance (void)
- 2 Requires 3.5" minimum ceiling clearance (void)
- 3 1" max ceiling thickness, 1/16" min ceiling thickness, Does not allow through-wiring

## Drivers

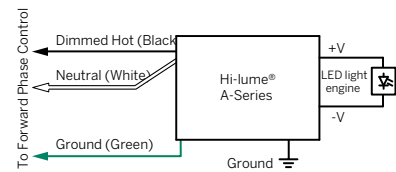
S (Standard non-dim)  
SPH (Standard Phase Dimming wired for forward phase)



S010 (Standard 0-10V)  
D010 (EldoLED 0-10V)



SPH (Standard Phase Dimming wired for reverse phase)

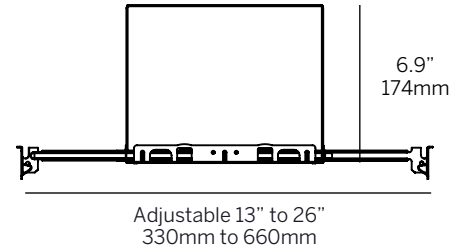
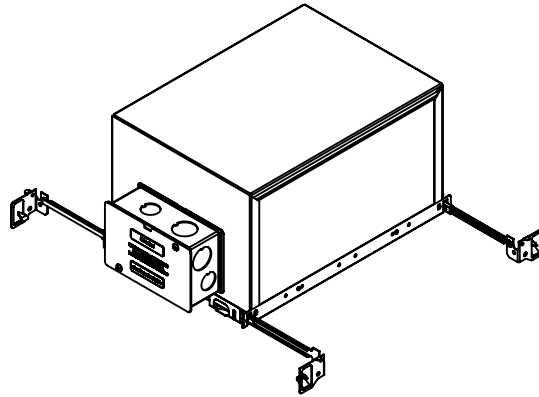
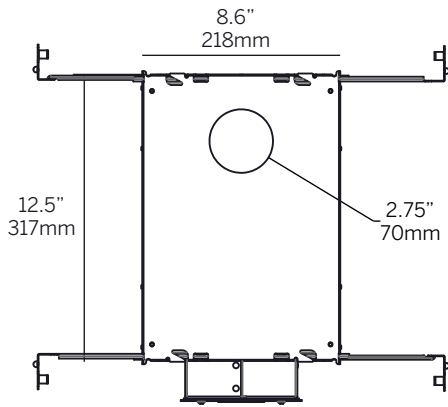


Note: Colors shown correspond to terminal blocks on driver.

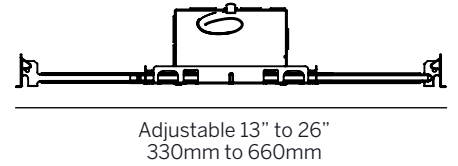
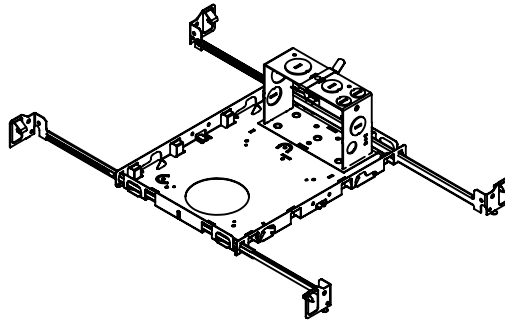
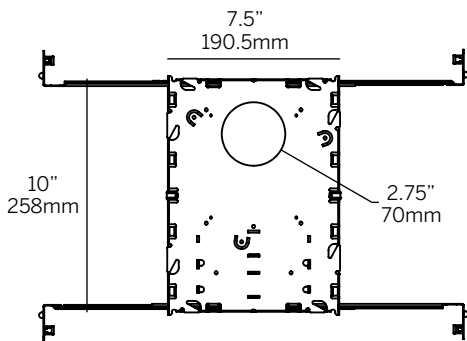
# 2.4" General Downlight

## Round Wall Wash - Housings

Chicago Plenum Housing (CP) / Insulated Ceiling Housing(IC)



New Construction Housing (NC) (requires accessible ceiling)



Landing Pan (LP)

