

**WARNING:**  
INSTALL PRODUCT IN ACCORDANCE  
WITH LOCAL AND NATIONAL ELECTRICAL  
CODES BY A QUALIFIED ELECTRICIAN.

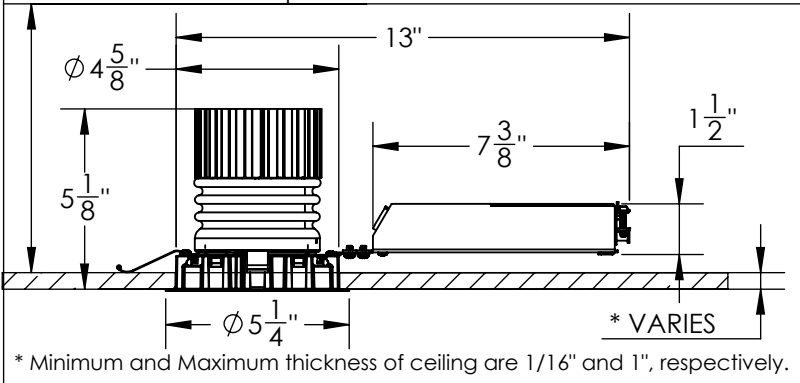
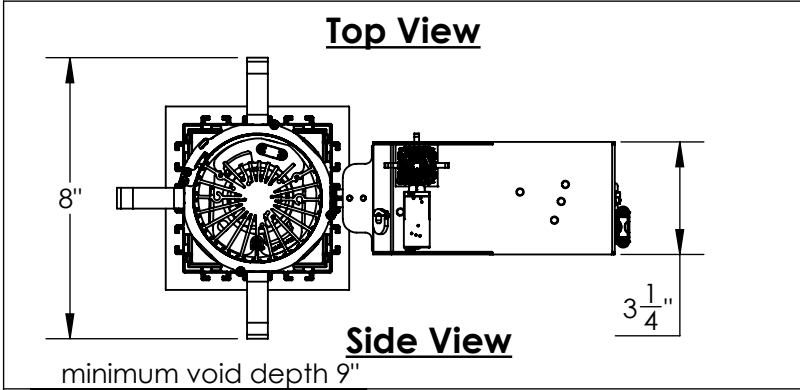
**WARNING:**  
FAILURE TO COMPLY WITH THE  
INSTALLATION INSTRUCTIONS MAY  
RESULT IN DEATH OR SERIOUS INJURY.

**WARNING:**  
READ ALL SAFETY INSTRUCTIONS  
INCLUDED WITH LUMINAIRE BEFORE  
INSTALLING LUMINAIRE. SAVE  
INSTRUCTIONS FOR FUTURE USE.

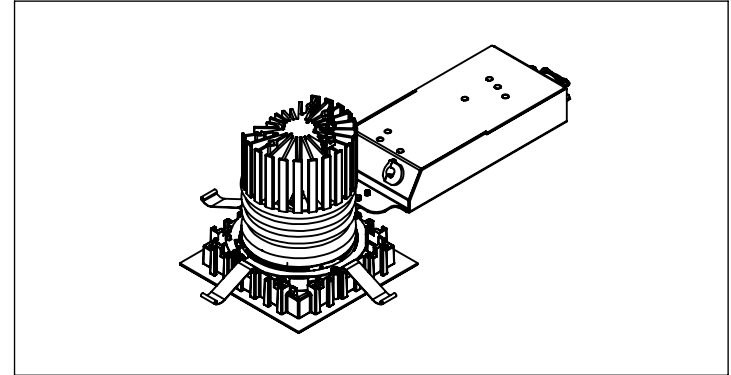
**CAUTION:**  
THIS IS AN ELECTRONIC DEVICE. CARE MUST BE TAKEN  
DURING STORAGE AND HANDLING. STORE IN A CLEAN, COOL  
AND DRY LOCATION. ELECTROSTATIC DISCHARGE (ESD) CAN  
HARM THIS PRODUCT. AVOID STATIC DISCHARGE WHILE  
HANDLING THIS PRODUCT.

**CAUTION:**  
INTER-LUX IS NOT RESPONSIBLE FOR THE  
STRUCTURAL INTEGRITY OF THE BUILDING TO  
SUPPORT THE LUMINAIRE. ADDITIONAL BACKING  
MAY BE REQUIRED.

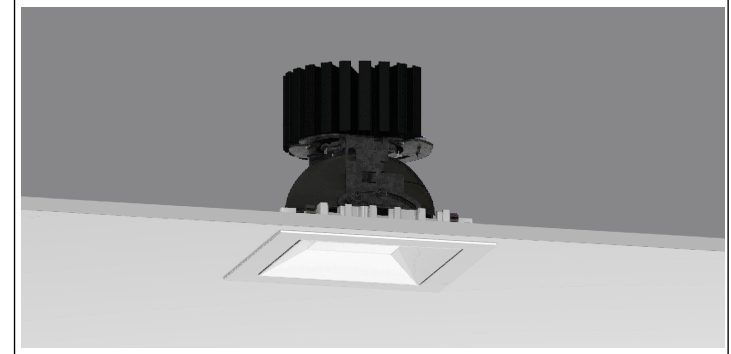
### Mounting Dimensions



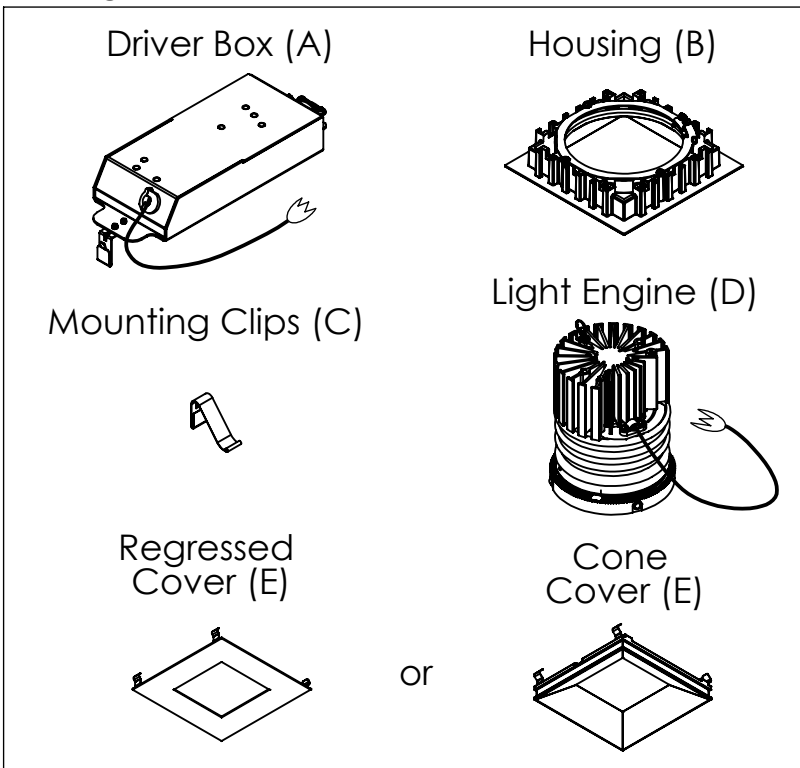
### Isometric View



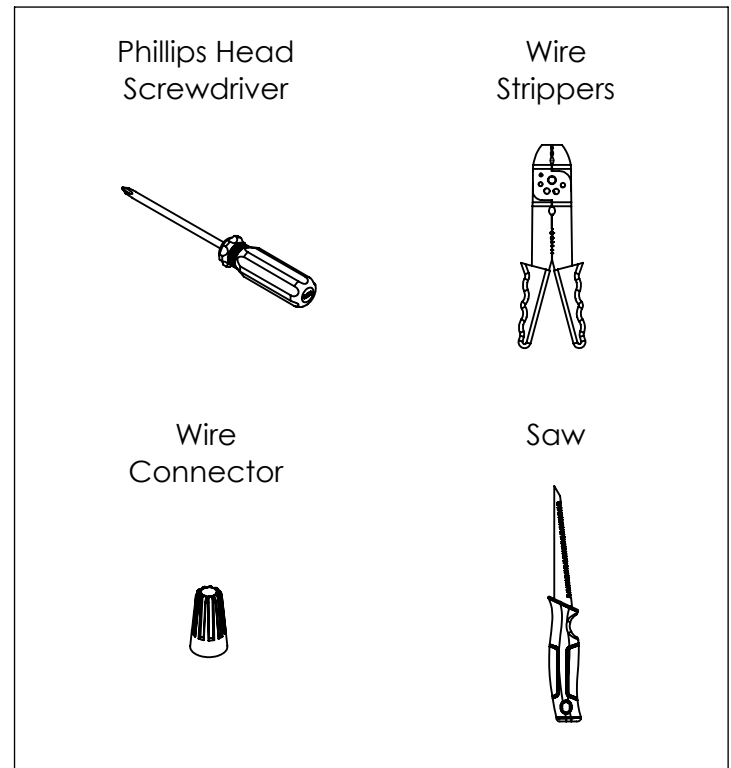
### Photo Rendering



### Package Includes:



### Items needed (supplied by others)





**WARNING:**

INSTALL PRODUCT IN ACCORDANCE WITH LOCAL AND NATIONAL ELECTRICAL CODES BY A QUALIFIED ELECTRICIAN.



**WARNING:**

FAILURE TO COMPLY WITH THE INSTALLATION INSTRUCTIONS MAY RESULT IN DEATH OR SERIOUS INJURY.



**WARNING:**

READ ALL SAFETY INSTRUCTIONS INCLUDED WITH LUMINAIRE BEFORE INSTALLING LUMINAIRE. SAVE INSTRUCTIONS FOR FUTURE USE.

**CAUTION:**

THIS IS AN ELECTRONIC DEVICE. CARE MUST BE TAKEN DURING STORAGE AND HANDLING. STORE IN A CLEAN, COOL AND DRY LOCATION. ELECTROSTATIC DISCHARGE (ESD) CAN HARM THIS PRODUCT. AVOID STATIC DISCHARGE WHILE HANDLING THIS PRODUCT.

**CAUTION:**

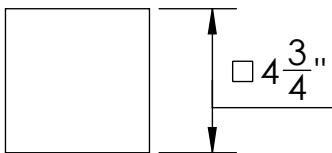
INTER-LUX IS NOT RESPONSIBLE FOR THE STRUCTURAL INTEGRITY OF THE BUILDING TO SUPPORT THE LUMINAIRE. ADDITIONAL BACKING MAY BE REQUIRED.

### INSTALLATION INSTRUCTIONS

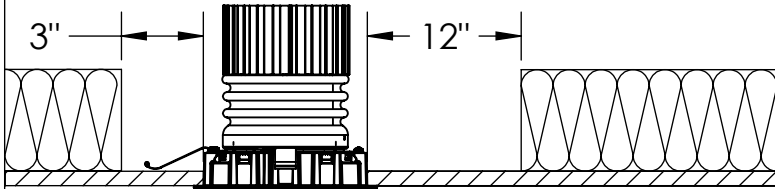
LOCATE AND REVIEW ANY CONSTRUCTION PLANS AND INTER-LUX RECORD DRAWINGS FOR ALL FIXTURE RUNS. IT IS RECOMMENDED TO LOCATE AND LAY OUT ALL COMPONENTS FOR EACH FIXTURE "RUN". A FIXTURE RUN TYPICALLY CONSISTS OF JOINERS, LENGTHS OF HOUSING, AND ENDCAPS. BE SURE TO IDENTIFY ALL CORRECT LENGTHS FOR EACH FIXTURE RUN.

**Step 1; Prepare Ceiling: Turn off Power Before Installation.** Cut a hole in the ceiling and clear insulation as shown below. The 12" space is made to accommodate the Driver (A) and 3" of clearance.

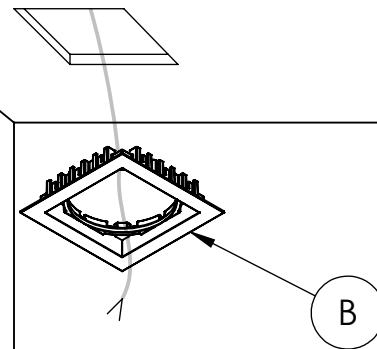
**Bottom View**



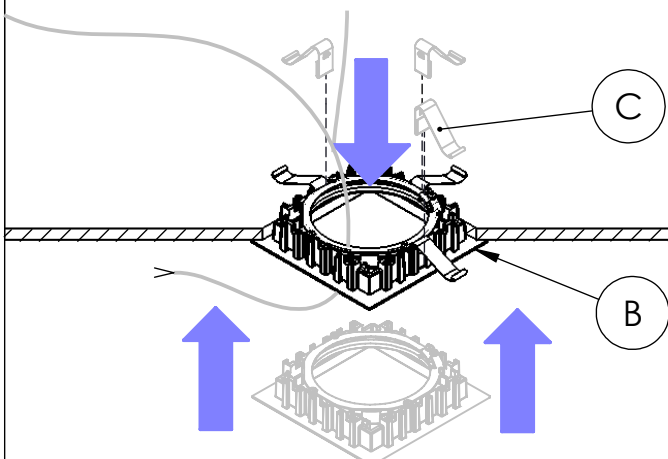
**Side View**



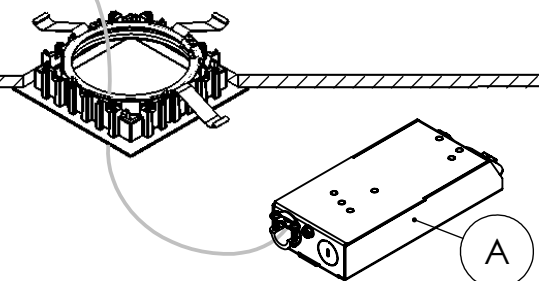
**Step 2; Wiring:** Pull AC power, and dimming leads if required, through ceiling hole and Housing (B).



**Step 3; Installation of Housing:** Push Housing (B) up into ceiling hole. Then, push Mounting Clips (C) down into slots of Housing (B) as shown below. Make sure that all three clips are pushed down until the housing is secured in the ceiling.



**Step 4; Electrical Connection:** Make electrical connections between the Driver (A) and AC Power cable.



**WARNING:**  
INSTALL PRODUCT IN ACCORDANCE WITH LOCAL AND NATIONAL ELECTRICAL CODES BY A QUALIFIED ELECTRICIAN.

**WARNING:**  
FAILURE TO COMPLY WITH THE INSTALLATION INSTRUCTIONS MAY RESULT IN DEATH OR SERIOUS INJURY.

**WARNING:**  
READ ALL SAFETY INSTRUCTIONS INCLUDED WITH LUMINAIRE BEFORE INSTALLING LUMINAIRE. SAVE INSTRUCTIONS FOR FUTURE USE.

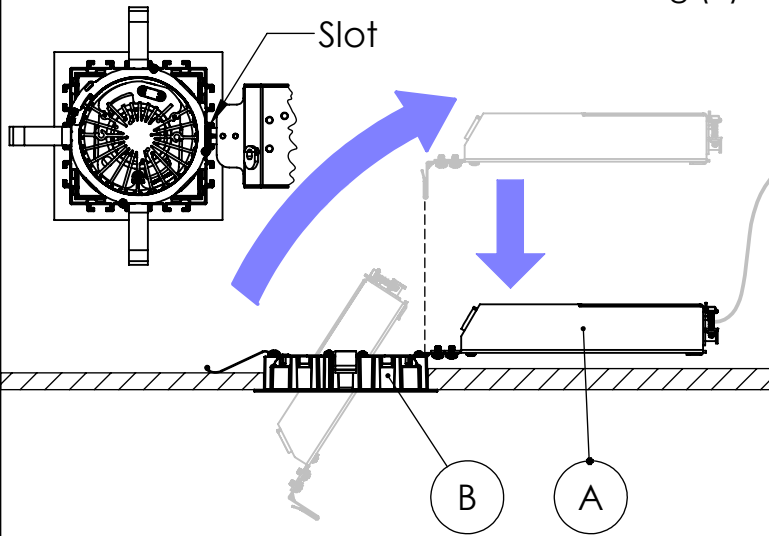
**CAUTION:**  
THIS IS AN ELECTRONIC DEVICE. CARE MUST BE TAKEN DURING STORAGE AND HANDLING. STORE IN A CLEAN, COOL AND DRY LOCATION. ELECTROSTATIC DISCHARGE (ESD) CAN HARM THIS PRODUCT. AVOID STATIC DISCHARGE WHILE HANDLING THIS PRODUCT.

**CAUTION:**  
INTER-LUX IS NOT RESPONSIBLE FOR THE STRUCTURAL INTEGRITY OF THE BUILDING TO SUPPORT THE LUMINAIRE. ADDITIONAL BACKING MAY BE REQUIRED.

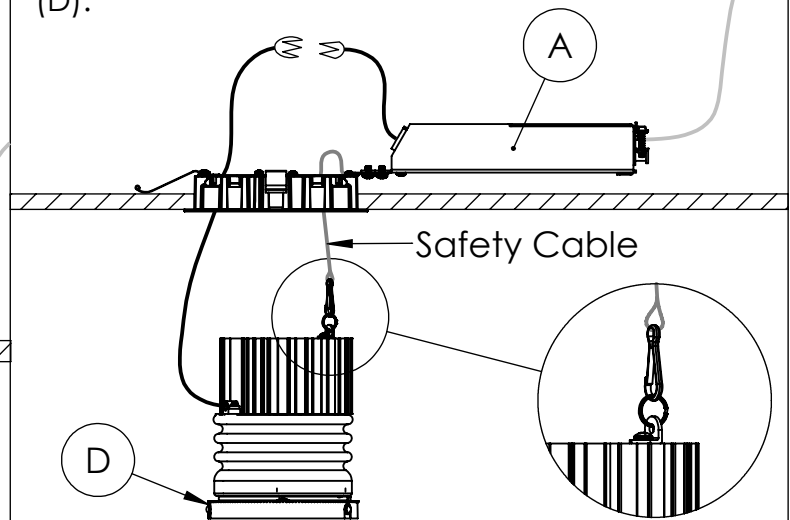
### INSTALLATION INSTRUCTIONS

LOCATE AND REVIEW ANY CONSTRUCTION PLANS AND INTER-LUX RECORD DRAWINGS FOR ALL FIXTURE RUNS. IT IS RECOMMENDED TO LOCATE AND LAY OUT ALL COMPONENTS FOR EACH FIXTURE "RUN". A FIXTURE RUN TYPICALLY CONSISTS OF JOINERS, LENGTHS OF HOUSING, AND ENDCAPS. BE SURE TO IDENTIFY ALL CORRECT LENGTHS FOR EACH FIXTURE RUN.

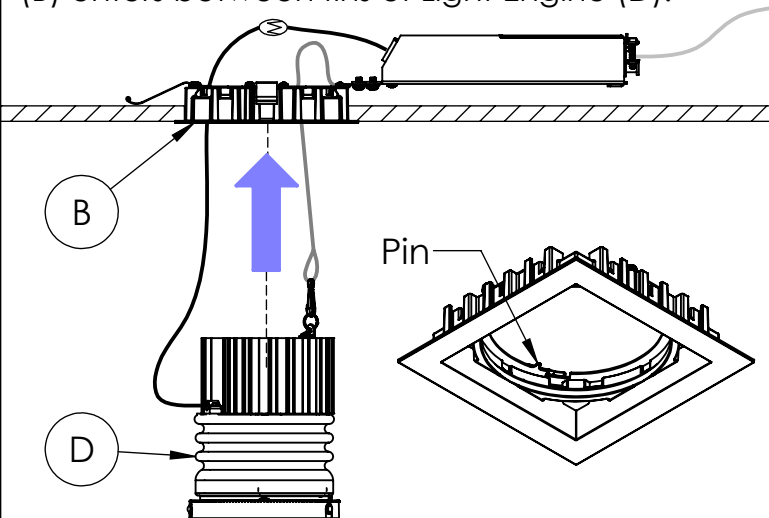
**Step 5; Installation of Driver Box:** Push the Driver Box (A) up through the Housing (B). Insert the tab protruding from the Driver (A) into the vacant middle slot located on the Housing (B).



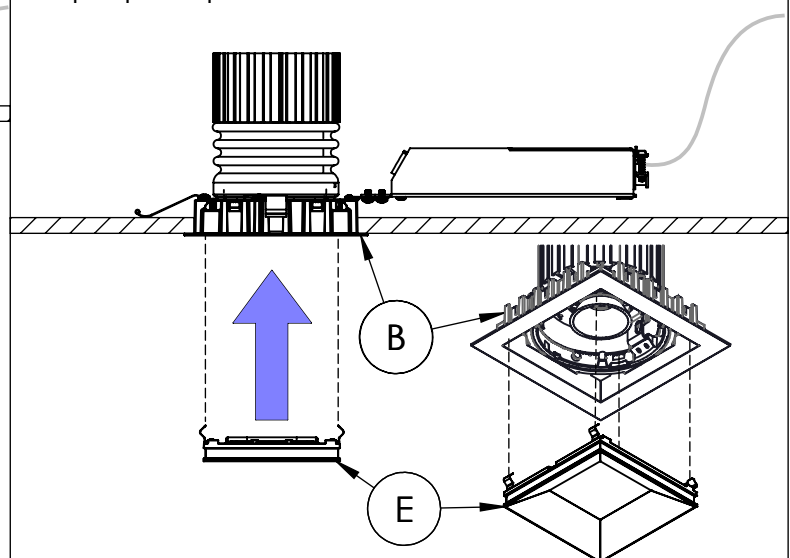
**Step 6; Installation of Safety Cable:** Attach the Safety Cable to the Light Engine (D) as shown below. Then make the electrical connections between the Driver (A) and the Light Engine (D).



**Step 7; Installation of Light Engine:** Push the Light Engine (D) up into opening of the Housing (B) until it locks into place. Make sure pin of Housing (B) enters between fins of Light Engine (D).



**Step 8; Installation of Diffuser:** Align the legs of Diffuser (E) with holes on Housing (B) until it locks into place. Finally, power and test the Luminaire for proper operation.



**WARNING:**  
INSTALL PRODUCT IN ACCORDANCE WITH LOCAL AND NATIONAL ELECTRICAL CODES BY A QUALIFIED ELECTRICIAN.

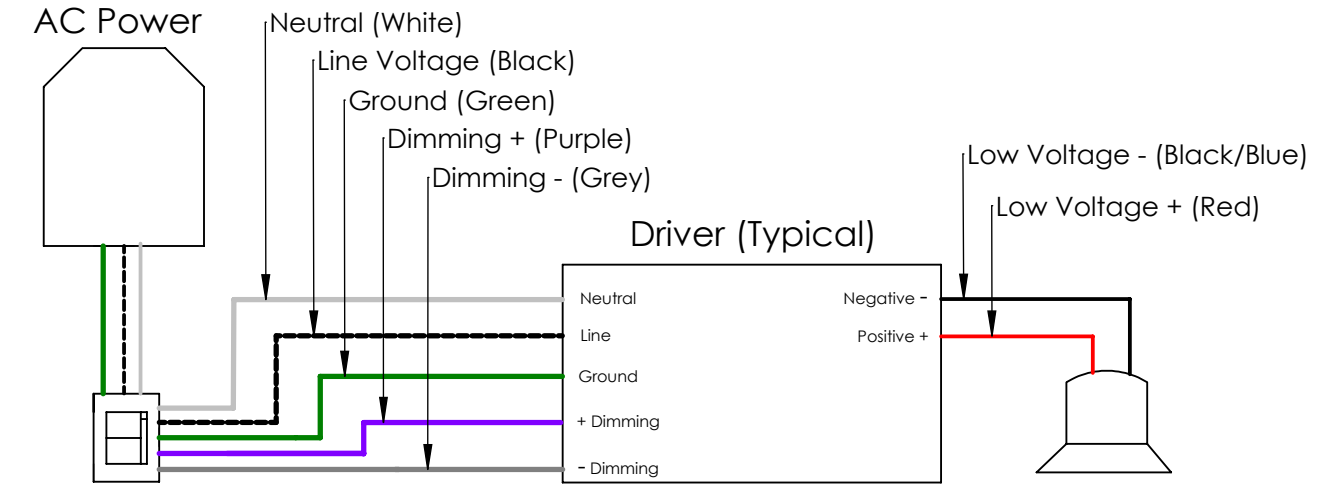
**WARNING:**  
FAILURE TO COMPLY WITH THE INSTALLATION INSTRUCTIONS MAY RESULT IN DEATH OR SERIOUS INJURY.

**WARNING:**  
READ ALL SAFETY INSTRUCTIONS INCLUDED WITH LUMINAIRE BEFORE INSTALLING LUMINAIRE. SAVE INSTRUCTIONS FOR FUTURE USE.

**CAUTION:**  
THIS IS AN ELECTRONIC DEVICE. CARE MUST BE TAKEN DURING STORAGE AND HANDLING. STORE IN A CLEAN, COOL AND DRY LOCATION. ELECTROSTATIC DISCHARGE (ESD) CAN HARM THIS PRODUCT. AVOID STATIC DISCHARGE WHILE HANDLING THIS PRODUCT.

**CAUTION:**  
INTER-LUX IS NOT RESPONSIBLE FOR THE STRUCTURAL INTEGRITY OF THE BUILDING TO SUPPORT THE LUMINAIRE. ADDITIONAL BACKING MAY BE REQUIRED.

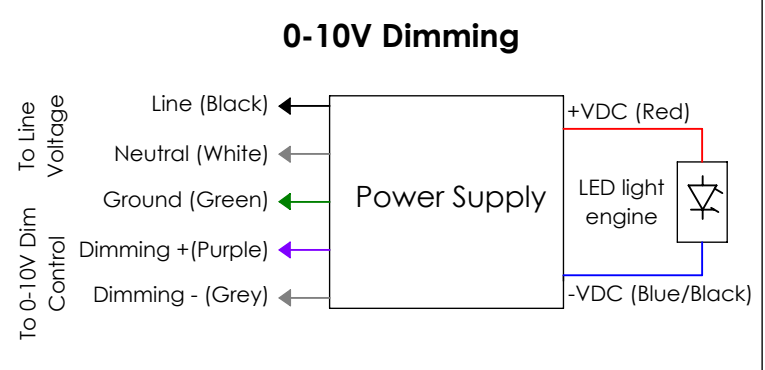
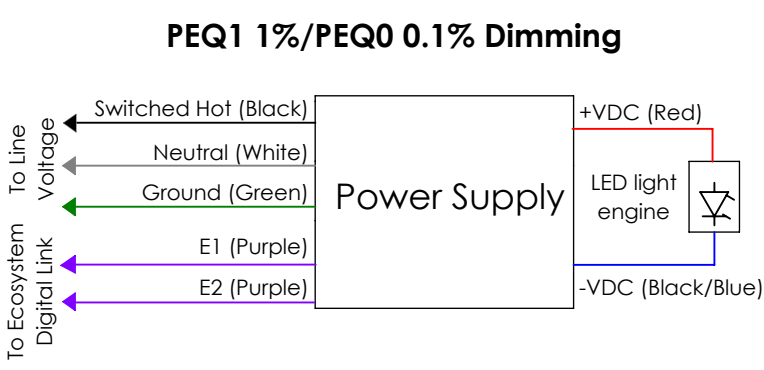
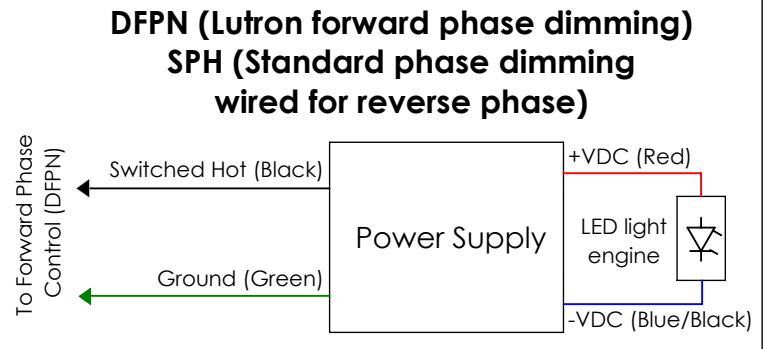
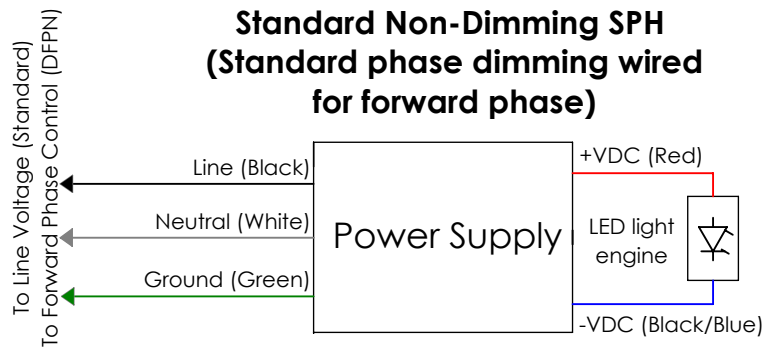
### Wiring Key



Red	Blue/Black	Green	Black	White	Purple	Grey
Positive	Negative	Ground	Line	Neutral	Dimming +	Dimming -

Maximum wire distance and voltage drop to be calculated by installer.

### Driver Wiring Diagrams



**NOTE: ALL SHOWN DRIVERS ARE INTER-LUX PROVIDED. FOR NON INTER-LUX PROVIDED DRIVERS PLEASE REFER TO DRIVER MANUFACTURERS. THE USE OF NON INTER-LUX PROVIDED DRIVERS VOIDS PRODUCT WARRANTY.**