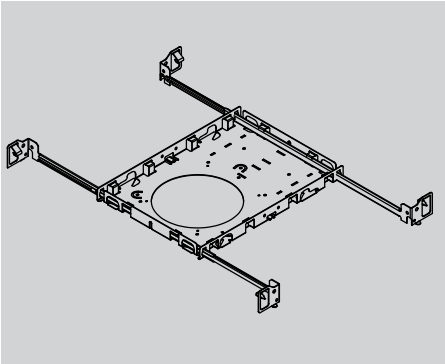
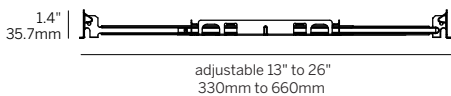
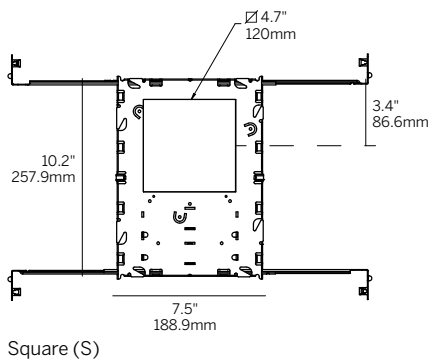
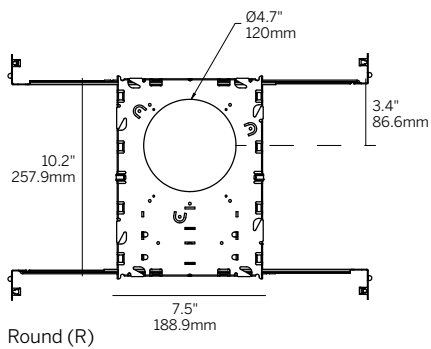


4" ProTools Downlights Landing Pan



Ordering Information for housing only

Model	Opening	Driver ¹
LP = Landing Pan	R S	X S S010 SPH D010 PEQ0 DALI



Landing Pan

- Galvanized steel construction.
- Integral junction box and driver accessible through ceiling aperture.
- Supplied with hanger bars that adjust between 13" and 26".

Opening

- R = Round
- S = Square/Rectangular

Driver

- X = No driver (for multiple fixtures fed from a single remote driver)

Integral¹

- S = Standard non-dim driver, 120-277V
- S010 = Standard 0-10V ≥ 10% dimming, 120-277V
- SPH = Standard Phase Dimming, 120VAC (available in low and medium power only)

Remote

- D010 = EldoLED, 1%, 0-10V dimming, 120-277V
- PEQ0 = Lutron Hi-lume Premier 0.1% EcoSystem
- DALI = EldoLED, 0.1%, DALI dimming, 120-277V

¹ Integral power supply depends on product selection.