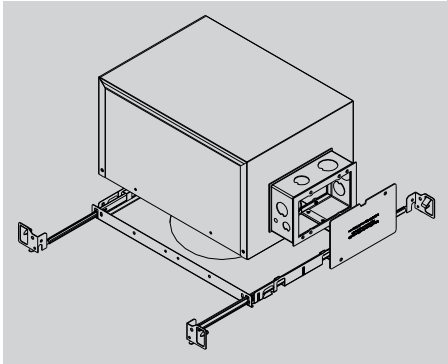


# Insulated Ceiling Housing / Chicago Plenum Housing

inter•lux



## Ordering Information for housing only

Model	Opening <sup>1</sup>	Driver <sup>2</sup>
IC = Insulated Ceiling CP = Chicago Plenum	R S	X S S010 SPH D010 PEQ0 DALI

### IC / CP Housing

- Installation Insulated Ceilings and Chicago Plenum.
- Galvanized steel construction.
- Fully caulked corners.
- Integral junction box for wire splice from external power source (optional).
- Supplied with hanger bars that adjust between 13" and 26".
- Anti-vibration embossing.
- Designed for an airflow rate not to exceed 2 CFM

### Opening

- R = Round (hole size defined by ordered luminaire)
- S = Square/Rectangular (hole size defined by ordered luminaire)

### Driver

- X = No driver (for multiple fixtures fed from a single remote driver)

### Integral

- S = Standard non-dim driver, 120-277V
- S010 = Standard 0-10V  $\geq$  10% dimming, 120-277V
- SPH = Standard Phase Dimming, 120VAC (available in low and medium power only)

### Remote

- D010 = EldoLED, 1%, 0-10V dimming, 120-277V
- PEQ0 = Lutron Hi-lume Premier 0.1% EcoSystem
- DALI = EldoLED, 0.1%, DALI dimming, 120-277V

### Notes

- 1 Opening determined by product cut out. For openings <3.9" an adapter (allowing maintenance from below) can be supplied, which is determined by selected luminaire. Maximum ceiling thickness 0.8". Please specify -AP after IC or CP.
- 2 Integral power supply depends on product selection.

