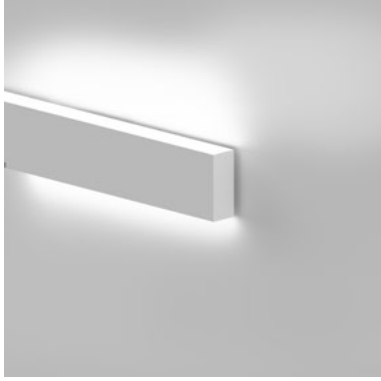


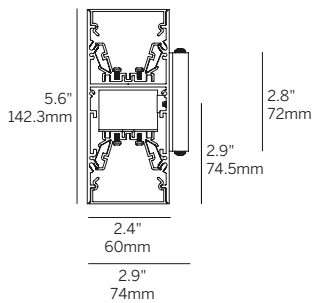
60 Linear Wall Direct / Indirect

Flush Lens

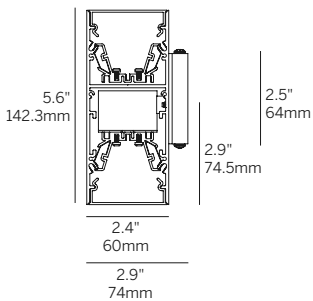


Ordering Information				Direct				Indirect					
Model ¹	Fixation	Pattern	Length	Power ³	CRI ⁴	Driver ⁶	Lens	Power ³	CRI ⁴	Driver ⁶	Lens	Finish ⁷	Options
WG-60LDI	SW	S	A	P1	927	E1	OD	P1	927	E1	SD	W (std)	DC
	SWM	PI ²	A x B	P2	930	L1	(std)	P2	930	L1	(std)	B	EM
		PO ²	A x B x C	P3	935	POE		P3	935	POE	OD	S	
			A x B x A x B	P4	940	BT		P4	940	BT		F	
				M	TW ⁵	DALI		M	TW ⁵	DALI			
					RGBW	TQ			RGBW	TQ			
						DMX				DMX			

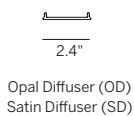
Surface Wall Mount (60LDI-SW)



Surface Wall Mullion Mount (60LDI-SWM)



Lenses/Accessories



Luminaire¹

- Continuous, evenly illuminated snap-in opal diffuser for even illumination standard.
- Easily installed internal LED tray assembly with integral driver. Field replaceable LED boards.
- 90+ CRI, 3 steps MacAdam.
- L70 (TM21 Projected 85C) 72,000 hours. RGBW 50,000 hours.
- ETL and ETL-C for dry and damp location.
- Lengths and angles factory cut to exact field dimensions. Standard and custom corners.
- Powdercoat painted.

Fixation

- SW = Surface Wall Mount
- SWM = Surface Wall Mullion Mount

Pattern

- S = Straight run
- PI = Standard patterns 2, 3 or 4 sided with 90° inside corners on the same plane²
- PO = Standard patterns 2, 3 or 4 sided with 90° outside corners on the same plane²

Length

- A, B, C = specify inches to the nearest 0.25" (i.e. 72.25"). For patterns specify each length (i.e. 2 sided: A x B = 72.25" x 48"; 3 sided: A x B x C; 4 sided: A x B x A x B).

Power³

- P1 = 3W/ft
- P2 = 6W/ft
- P3 = 10W/ft
- P4 = 15W/ft
- M = 7.6W/ft (RGBW Only)

CRI/CCT (90+ CRI)⁴

- 927 = 2700K
- 930 = 3000K
- 935 = 3500K
- 940 = 4000K
- TW = Tuneable white 2200-4000K⁵
- RGBW = 3000K White

Driver (Integral)⁶

- E1 = EldoLED 0.1% dimming, 0-10V (120-277V)
- L1 = Lutron 1% dimming, Ecosystem (120-277V)
- PoE = Power over Ethernet
- BT = Wireless CAS – Casambi (Must specify BT with E1 or DALI)
- DALI = EldoLED Dali DT8 0.1% (120-277V)
- TQ = T-Series for Lutron Quantum 0.1% (120-277V) (Tunable white ONLY)
- DMX = Osram+EldoLED, 24V, DMX Dimming (RGBW ONLY)

Lens

- OD = Satin opal diffuser (standard diffuse)
- SD = Satin clear diffuser (high efficiency diffuse) (recommended for uplight)

Finish⁷

- W = White, 15% gloss, RAL 9010 / Tiger Drylac 009/10120 (standard)
- B = Black, 15% gloss, RAL 9005 / Tiger Drylac 044/90053
- S = Silver, 15% gloss, RAL 9006 / Tiger Drylac 049/90500
- F = Custom finished trim, specify RAL

Options

- DC = Dual circuit
- EM = Emergency LED driver (remote only)

- 1 To specify Direct or Indirect only, leave Power, CRI, Driver and Lensblank for direction without light.
- 2 See pattern spec sheet.
- 3 Wattage shown does not include power supplies/drivers. Maximum combined wattage if specifying Direct Power + Indirect Power is 21 W/ft (i.e. P4 Direct [15 W/ft] + P2 Indirect [6 W/ft]).
- 4 See photometric data sheet for delivered lumens.
- 5 TW only available with P2 and P3.
- 6 See power supply page for details.
- 7 See Tiger Drylac color chart: inter-lux.com/tiger