

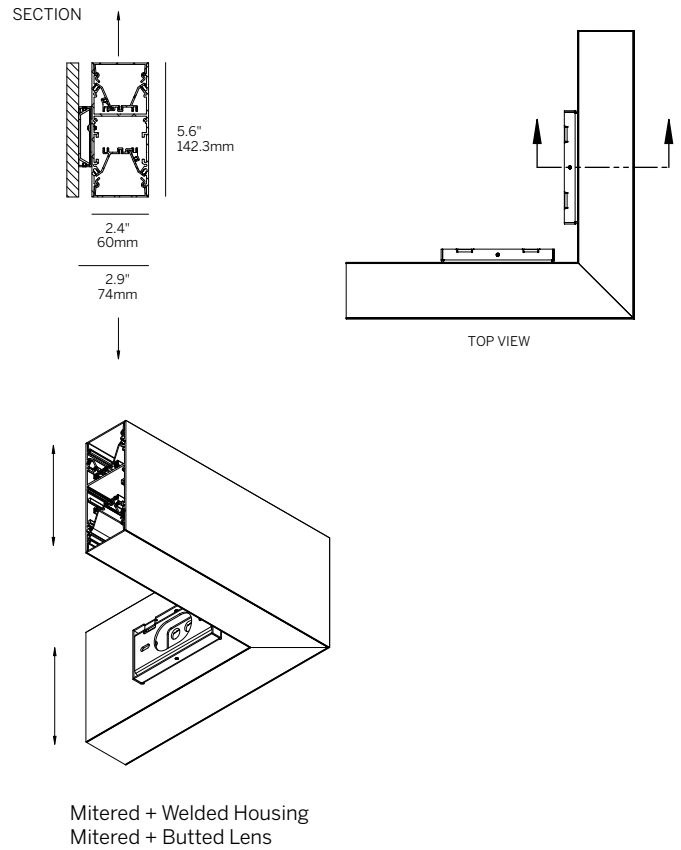
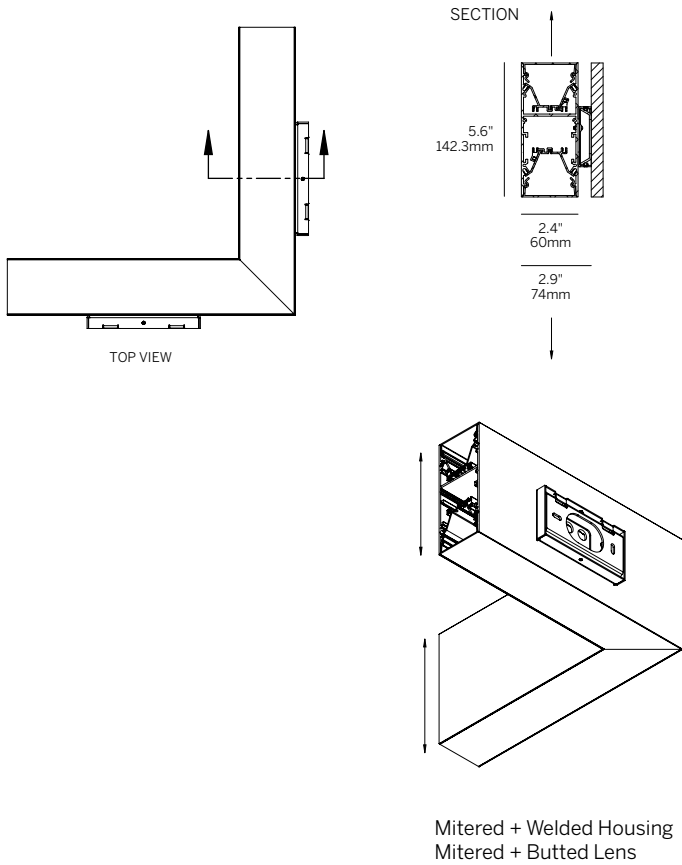
# 60 Linear Direct-Indirect Surface Wall

## INSIDE CORNER (PI)

WG-60LDI-SW-PI

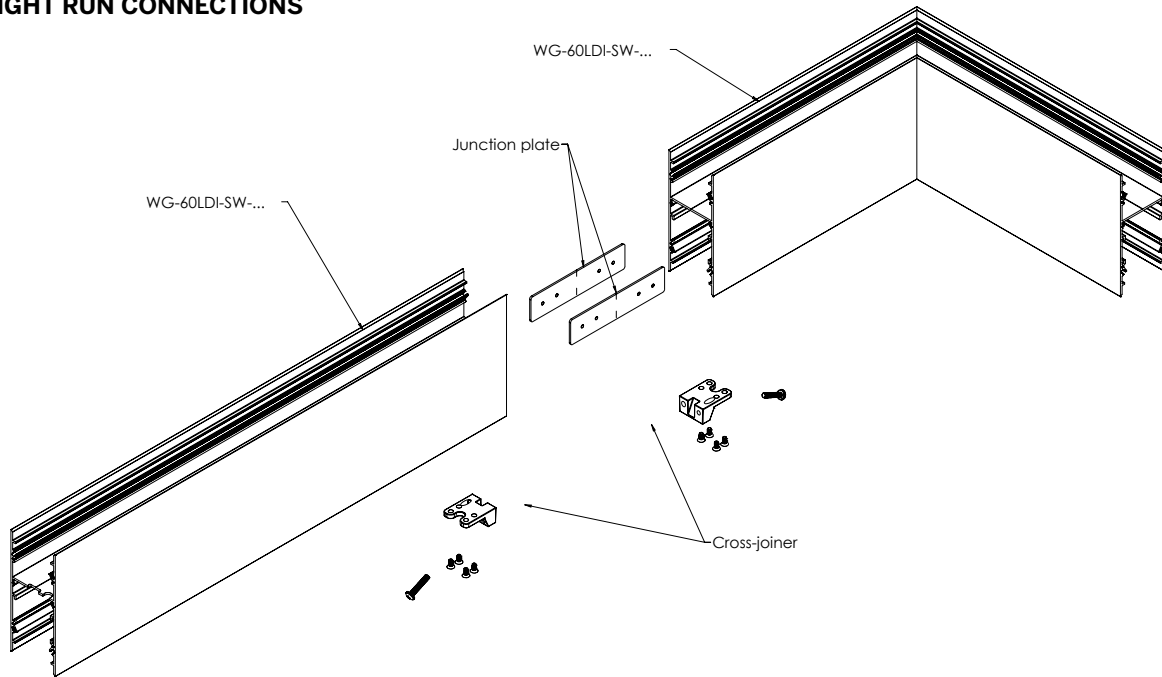
## OUTSIDE CORNER (PO)

WG-60LDI-SW-PO

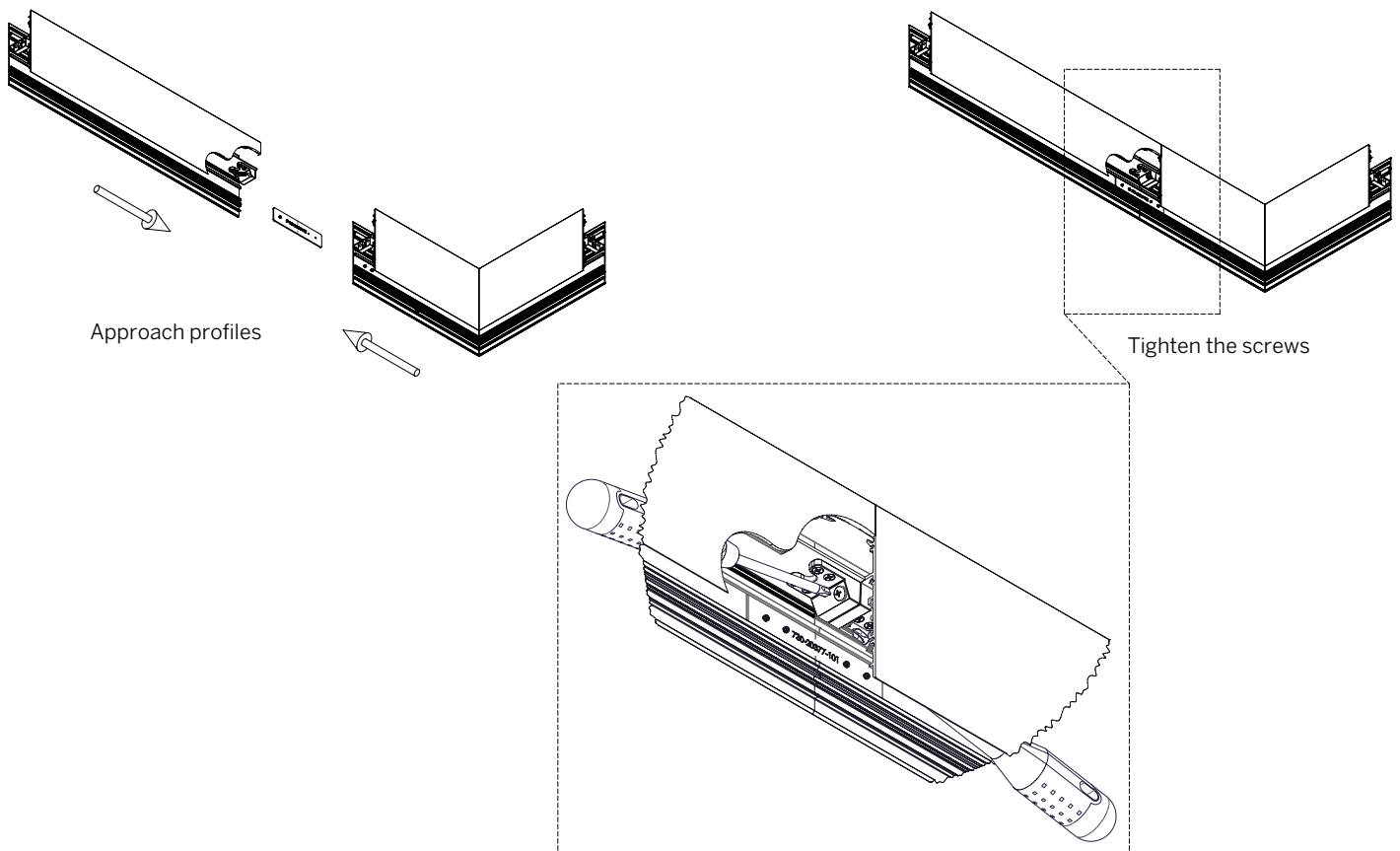


NOTE: If Indirect only, bottom fixture aperture is covered by non-illuminated lens.  
Lens can be painted to match fixture finish upon request.

## CORNER + STRAIGHT RUN CONNECTIONS

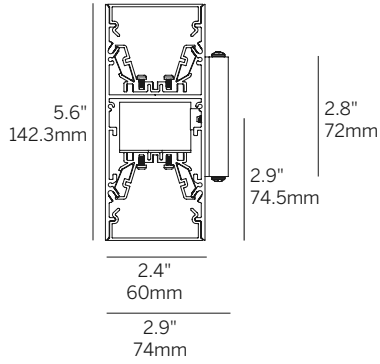


## CROSS JOINER

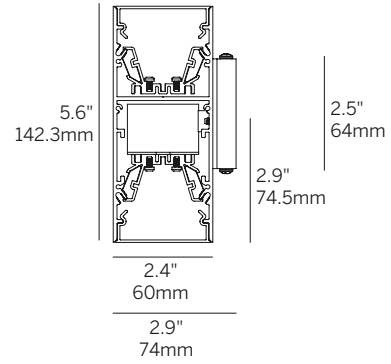


# 60 Linear Direct-Indirect Surface Wall

## PROFILE DIMENSIONS



Surface Wall Mount  
(60LDI-SW)



Surface Wall Mullion Mount  
(60LDI-SWM)