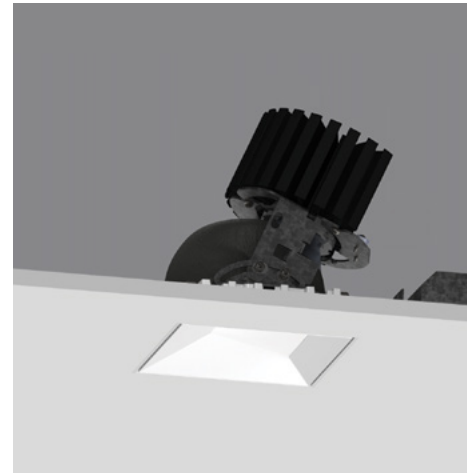


4" ProTools DLX Adjustable Square Asymmetric Cone - Narrow

Asymmetric Cover For Minimum Beam Clipping
With Wider Angle Optics And Higher Angle Focusing

- 4" square downlight with 2" light aperture.
- Regressed aperture / lens position provides good glare control.
- 8 degree very narrow beam.
- Open aperture, clear lens or optical accessory lenses.
- No light leak or view into ceiling void from below due to a unique light leak hood.
- Luminaire and driver installed and maintained from below the ceiling.
- Mounts in 1/16" to 1" surface.
- Modular interchangeability throughout the entire ProTools range of products.
- Tilt 35°, rotation 365°, 144 step.
- Wet Location option as standard (WL).

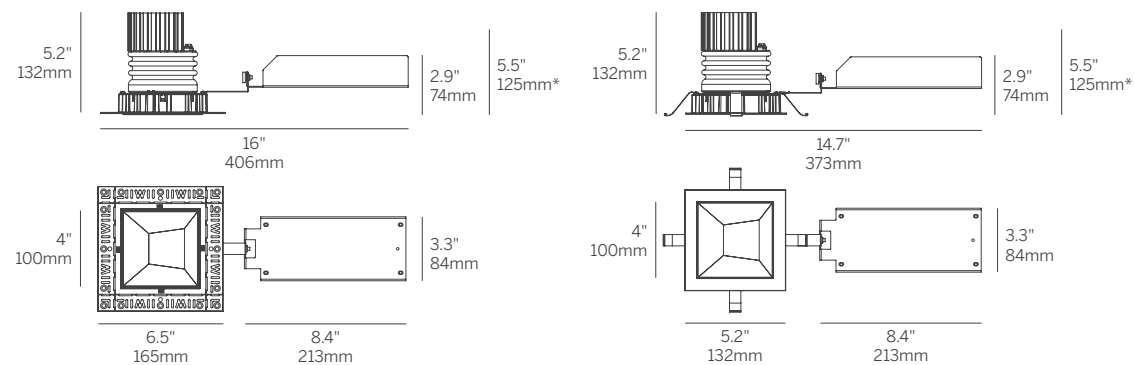
Housing	Die-caste aluminum for precision fit and heat dissipation Mounting hardware for all ceiling types; trim and trimless EZ clip mounting for secure installation Snap-in cover Trimless housing with Quik-Snap feature allows endless multiple combinations without specialized housings
Covers	Square asymmetric cone with minimal ceiling interruption
LED	90+ CRI Low/Mid/High/Extra High output choices 2700K, 3000K, 3500K, 4000K
Beam	8 degree beam spread (TIR Optic)
Driver	Integral and remote drivers for all dimming and non-dimming applications Through-wire integral driver enclosure installed from below without the need for bulky housing POE driver compatibility
Installation	Not required when using the Driver Enclosure
Housing	Optional: IC and Chicago plenum Optional: new construction (with j-box and driver attached) Optional: Landing pan for use with Driver Enclosure to locate cut-out locations
Warranty	5-year Limited (see complete company warranty information)
Certifications	ETL and ETL-C for dry and damp location, CE, Wet Location rated



Recessed Plaster Trim



Recessed Bezel Trim



Plaster Trim

Bezel Trim

*Minimum of 5.5" (127mm) ceiling void is required to install the integral driver from below the ceiling.

technical information

4" ProTools DLX Adjustable Square Asymmetric Cone - Narrow

Model	Fixation	Power ^{1,2}	CRI/ CCT ³	Driver ⁴	Cover	Lens	Beam	Finish	Options
WG-100SPTDLX	RPT RBT	L M H XH	927 930 935 940	X S D010 PEQ1 PEQ0 DFPN	SAC	OA MPL RSC	8 (Narrow)	W S ⁵	LP CP IC WL

Model

- WG-100SPTDLX = 4" ProTools DLX Adjustable

Fixation

- RPT = Recessed Plaster Trim
- RBT = Recessed Bezel Trim

Power^{1,2}

- L = Low Power, 4W @ 350mA
- M = Mid Power, 5.8W @ 500mA
- H = High Power, 8.4W @ 700mA
- XH = Extra High Power, 13W @ 1050mA

CRI/CCT³

- 927 = 2700K, (360/480/630/850 lm)
- 930 = 3000K, (380/510/670/910 lm)
- 935 = 3500K, (380/510/670/910 lm)
- 940 = 4000K, (410/560/730/980 lm)

Driver⁴

- X = Remote driver, ordered separately
- S = Standard non-dim driver, 120-277V
- D010 = EidoLED, 1%, 0-10V Driver, 120-277V
- PEQ1 = Lutron Hi-lume 1% EcoSystem, 120-277V
- PEQ0 = Lutron Hi-lume Premier 0.1% EcoSystem, 120-277V
- DFPN = Lutron Forward Phase 1% 120VAC

Cover

- SAC = Square Asymmetric Cone

Lens

- OA = Open Aperture
- MPL = Micro-prismatic Lens
- RSC = Satin Clear

Beam

- 8 = 8° Beam Angle (Narrow) (TIR Optic)

Finish

- W = White, 15% gloss, RAL9003 (standard)
- S = Silver, 15% gloss⁵

Options

ProTools downlights require no additional options kits for remodel & new construction

- LP = Landing Pan
- CP = Chicago Plenum Housing
- IC = IC/NC Housing
- WL = Wet Location (not available with open aperture)

Optical Accessory Holder

Up to 3 lenses and/or accessories can be added to the Optical Accessory Holder

- HX = Hex Louver
- FG = Frosted Glass
- LS = Linear Spread Lens
- SOL = Solite Lens

Whitegoods reserves the right to change any information without prior notice.

Notes

- 1 Other lumen packages available, consult factory.
- 2 Wattage shown does not include power supplies/drivers. System wattage adds 10-20%.
- 3 Source lumens shown.
- 4 See power supply page for details.
- 5 Plaster trim version includes white frame and gray cover.