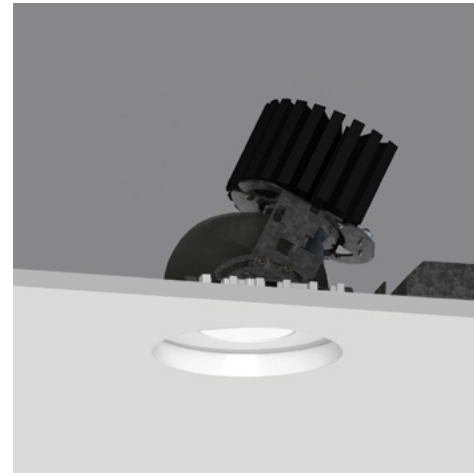


4" ProTools DLX Adjustable Round Regressed Pinhole

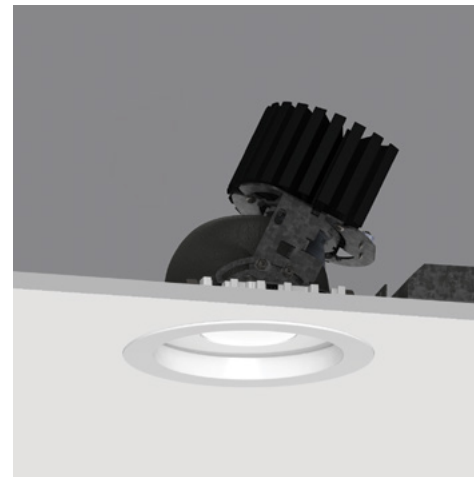
Full Featured With Accessory Holder And Ceiling Void Light Leak Hood

- 4" round downlight with 2" light aperture.
- Regressed aperture / lens position provides good glare control.
- Beam Angle: Various, Cut Off: 30°.
- Open aperture, clear lens or optical accessory lenses.
- No light leak or view into ceiling void from below due to a unique light leak hood.
- Luminaire and driver installed and maintained from below the ceiling.
- Mounts in 1/16" to 1" surface.
- Tunable White and Warm Dim.
- Modular interchangeability throughout the entire ProTools range of products.
- Tilt 45°, rotation 365°, 144 step.

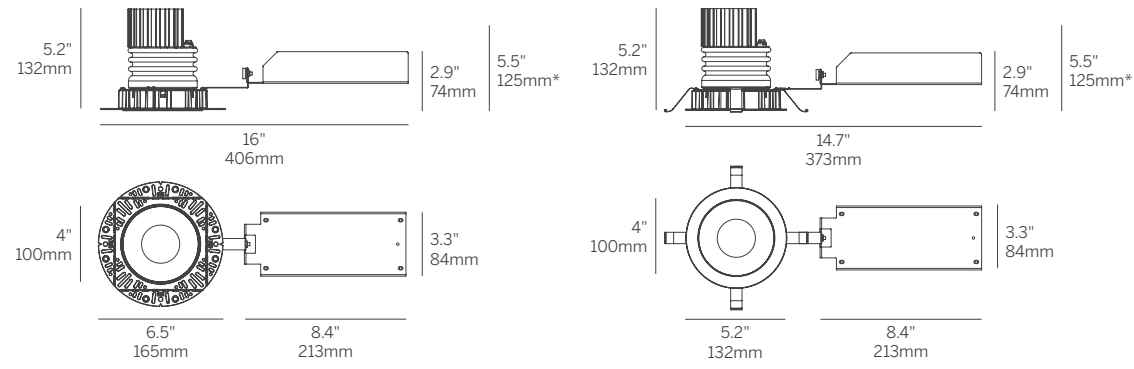
- Housing** Die-caste aluminum for precision fit and heat dissipation
Mounting hardware for all ceiling types; trim and trimless
EZ clip mounting for secure installation
Snap-in cover
Trimless housing with Quik-Snap feature allows endless multiple combinations without specialized housings
- Covers** Round regressed pinhole - smallest aperture, maximum glare control
- LED** 90+ CRI
Low/Mid/High/Extra High output choices
2700K, 3000K, 3500K, 4000K
Tuneable White from 1800K - 4000K
Warm Dim from 1800 - 3000K
- Beam** 16, 32 and 41 degree beam spreads
- Driver** Integral and remote drivers for all dimming and non-dimming applications
Through-wire integral driver enclosure installed from below without the need for bulky housing
POE driver compatibility
- Installation** Not required when using the Driver Enclosure
- Housing** Optional: IC and Chicago plenum
Optional: new construction (with j-box and driver attached)
Optional: Landing pan for use with Driver Enclosure to locate cut-out locations
- Warranty** 5-year Limited (see complete company warranty information)
- Certifications** ETL and ETL-C for dry and damp location, CE



Recessed Plaster Trim



Recessed Bezel Trim



*Minimum of 5.5" (127mm) ceiling void is required to install the integral driver from below the ceiling.

technical information

4" ProTools DLX Adjustable Round Regressed Pinhole

Model	Fixation	Power ^{1,2}	CRI/CCT ³	Driver ⁴	Cover	Lens	Beam	Finish	Options
WG-100RPTDLX	RPT RBT	L M H XH TW WD	927 930 935 940 TW WD	X S D010 PEQ1 PEQ0 DFPN TW WD	RRP	OA MPL RSC	16 32 41	W S ⁵	LP CP IC

- Model**
- WG-100RPTDLX = 4" ProTools DLX Adjustable
- Fixation**
- RPT = Recessed Plaster Trim
 - RBT = Recessed Bezel Trim
- Power^{1,2}**
- L = Low Power, 5.7W @ 350mA
 - M = Mid Power, 8.4W @ 500mA
 - H = High Power, 12W @ 700mA
 - XH = Extra High Power, 17.8W @ 1050mA
 - TW = 9W @ 500mA
 - WD = 0.4 - 11.8W @ 350mA
- CRI/CCT³**
- 90+ CRI (Low/Mid/High/Extra High)
- 927 = 2700K, (492/683/919/1287 lm)
 - 930 = 3000K, (529/734/989/1385 lm)
 - 935 = 3500K, (529/734/989/1385 lm)
 - 940 = 4000K, (567/786/1058/1483 lm)
 - TW = Tunable White 1800 - 4000K, (610 - 1060 lm)
 - WD = Warm Dimming 1800 - 3000K, (31 - 1150 lm)
- Driver⁴**
- X = Remote driver, ordered separately
 - S = Standard non-dim driver, 120-277V
 - D010 = EldoLED, 1%, 0-10V Driver, 120-277V
 - PEQ1 = Lutron Hi-lume 1% EcoSystem, 120-277V
 - PEQ0 = Lutron Hi-lume Premier 0.1% EcoSystem, 120-277V
 - DFPN = Lutron Forward Phase 1% 120VAC
 - TW = EldoLED, 0.1%, DALI dimming (TW), 120-277V
 - WD = EldoLED, 0.1%, 0-10V dimming (WD), 120-277V
- Cover**
- RRP = Round Regressed Pinhole
- Lens**
- OA = Open Aperture
 - MPL = Micro-prismatic Lens
 - RSC = Satin Clear
- Beam**
- 16 = 16° Beam Angle
 - 32 = 32° Beam Angle
 - 41 = 41° Beam Angle
- Finish**
- W = White, 15% gloss, RAL9003 (standard)
 - S = Silver, 15% gloss⁵
- Options**
- ProTools downlights require no additional options kits for remodel & new construction
- LP = Landing Pan
 - CP = Chicago Plenum Housing
 - IC = IC/NC Housing
- Optical Accessory Holder**
- Up to 3 lenses and/or accessories can be added to the Optical Accessory Holder
- HX = Hex Louver
 - FG = Frosted Glass
 - LS = Linear Spread Lens
 - SOL = Solite Lens

Whitegoods reserves the right to change any information without prior notice.

Notes

- 1 Other lumen packages available, consult factory.
- 2 Wattage shown does not include power supplies/drivers. System wattage adds 10-20%.
- 3 Delivered lumen data shown for WG-100RPTDLX-...-RRP-OA-16-W. Refer to page 2 of specsheet for delivered lumen data for other product configurations. Source lumen data shown for TW and WD options.
- 4 See power supply page for details.
- 5 Plaster trim version includes white frame and gray cover.

