

4" ProTools DLX Adjustable

Round Regressed Pinhole - Adjustable Beam

Full Featured With Accessory Holder And Ceiling Void Light Leak Hood

- 4" round downlight with 2" light aperture.
- Regressed aperture / lens position provides good glare control.
- 13-48 degree zoom.
- Open aperture.
- No light leak or view into ceiling void from below due to a unique light leak hood.
- Luminaire and driver installed and maintained from below the ceiling.
- Mounts in 1/16" to 1" surface.
- Tunable White and Warm Dim.
- Modular interchangeability throughout the entire ProTools range of products.
- Tilt 45°, rotation 365°, 144 step.

Housing Die-caste aluminum for precision fit and heat dissipation
 Mounting hardware for all ceiling types; trim and trimless
 EZ clip mounting for secure installation
 Snap-in cover
 Trimless housing with Quik-Snap feature allows endless multiple combinations without specialized housings

Covers Round regressed pinhole - smallest aperture, maximum glare control

LED 90+ CRI
 Low/Mid/High/Extra High output choices
 2700K, 3000K, 3500K, 4000K
 Tuneable White from 1800K - 4000K
 Warm Dim from 1800 - 3000K

Beam 13-48 degree beam spread (TIR Optic)

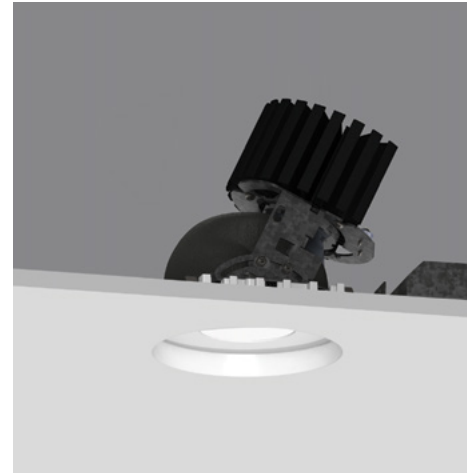
Driver Integral and remote drivers for all dimming and non-dimming applications
 Through-wire integral driver enclosure installed from below without the need for bulky housing
 POE driver compatibility

Installation Not required when using the Driver Enclosure

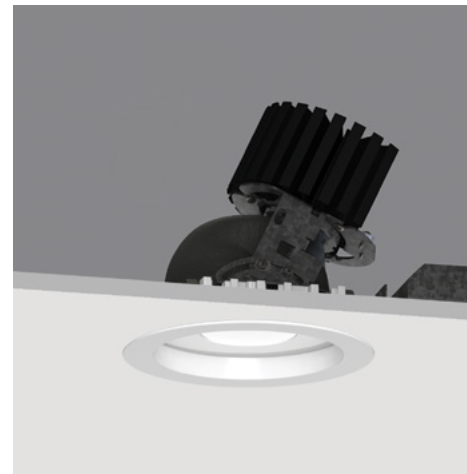
Housing Optional: IC and Chicago plenum
 Optional: new construction (with j-box and driver attached)
 Optional: Landing pan for use with Driver Enclosure to locate cut-out locations

Warranty 5-year Limited (see complete company warranty information)

Certifications ETL and ETL-C for dry and damp location, CE



Recessed Plaster Trim



Recessed Bezel Trim

4" ProTools DLX Adjustable

Round Regressed Pinhole - Adjustable Beam

| Model | Fixation | Power ^{1,2} | CRI/CCT ³ | Driver ⁴ | Cover | Lens | Beam | Finish | Options |
|--------------|------------|-------------------------------|--------------------------------------|--|-------|------|--------------|---------------------|----------------|
| WG-100RPTDLX | RPT RBT | L M H XH TW WD | 927 930 935 940 TW WD | X S D010 PEQ1 PEQ0 DFPN TW WD | RRP | OA | 13-48 (Zoom) | W S ⁵ | LP CP IC |

Model

- WG-100RPTDLX = 4" ProTools DLX Adjustable

Fixation

- RPT = Recessed Plaster Trim
- RBT = Recessed Bezel Trim

Power^{1,2}

- L = Low Power, 5.7W @ 350mA
- M = Mid Power, 8.4W @ 500mA
- H = High Power, 12W @ 700mA
- XH = Extra High Power, 17.8W @ 1050mA
- TW = 9W @ 500mA
- WD = 0.4 - 11.8W @ 350mA

CRI/CCT³

- 90+ CRI (Low/Mid/High/Extra High)
- 927 = 2700K, (720/999/1344/1884 lm)
- 930 = 3000K, (775/1075/1447/2027 lm)
- 935 = 3500K, (775/1075/1447/2027 lm)
- 940 = 4000K, (830/1151/1549/2171 lm)
- TW = Tuneable White 1800 - 4000K, (610 - 1060 lm)
- WD = Warm Dimming 1800 - 3000K, (31 - 1150 lm)

Driver⁴

- X = Remote driver, ordered separately
- S = Standard non-dim driver, 120-277V
- D010 = EldoLED, 1%, 0-10V Driver, 120-277V
- PEQ1 = Lutron Hi-lume 1% EcoSystem, 120-277V
- PEQ0 = Lutron Hi-lume Premier 0.1% EcoSystem, 120-277V
- DFPN = Lutron Forward Phase 1% 120VAC
- TW = EldoLED, 0.1%, DALI dimming (TW), 120-277V
- WD = EldoLED, 0.1%, 0-10V dimming (WD), 120-277V

Cover

- RRP = Round Regressed Pinhole

Lens

- OA = Open Aperture

Beam

- 13-48 = 13-48° Beam Angle (Zoom) (TIR Optic)

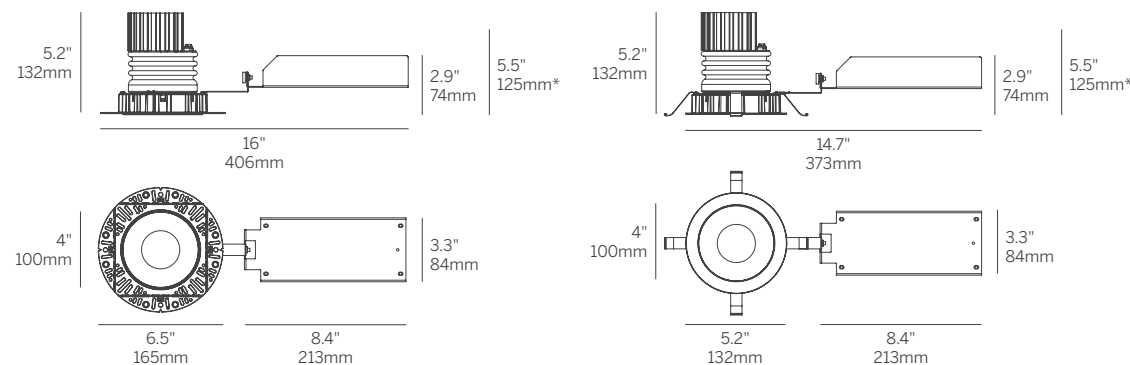
Finish

- W = White, 15% gloss, RAL9003 (standard)
- S = Silver, 15% gloss⁵

Options

ProTools downlights require no additional options kits for remodel & new construction

- LP = Landing Pan
- CP = Chicago Plenum Housing
- IC = IC/NC Housing



*Minimum of 5.5" (127mm) ceiling void is required to install the integral driver from below the ceiling.

technical information

Whitegoods reserves the right to change any information without prior notice.

Notes

- 1 Other lumen packages available, consult factory.
- 2 Wattage shown does not include power supplies/drivers. System wattage adds 10-20%.
- 3 Source lumens shown.
- 4 See power supply page for details.
- 5 Plaster trim version includes white frame and gray cover.

