

4" ProTools DL Wall Wash Round Wall Wash

Dedicated Wall Wash Luminaire for Even Illumination of Vertical Surfaces

- 4" round downlight with 2" light aperture.
- 0.7" regressed aperture / lens providing asymmetric beam distribution optimized for even illumination of vertical surfaces.
- High-angle illumination.
- Luminaire and driver installed and maintained from below the ceiling.
- Mounts in 1/16" to 1" surface.
- Tunable White and Warm Dim.
- Modular interchangeability throughout the entire ProTools range of products.
- Wet Location as standard option (WL).

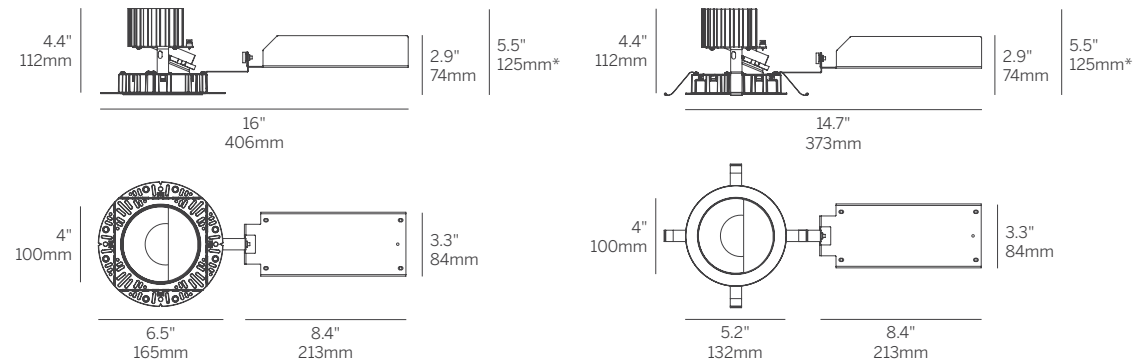
- Housing** Die-caste aluminum for precision fit and heat dissipation
Mounting hardware for all ceiling types; trim and trimless
EZ clip mounting for secure installation
Snap-in cover
Trimless housing with Quik-Snap feature allows endless multiple combinations without specialized housings
- Covers** Flush aperture with room-side cutoff and wall wash distribution
- LED** 90+ CRI
Low/Mid/High/Extra High output choices
2700K, 3000K, 3500K, 4000K
Tuneable White from 1800K - 4000K
Warm Dim from 1800 - 3000K
- Beam** Satin spread lens (TIR Optic)
- Driver** Integral and remote drivers for all dimming and non-dimming applications
Through-wire integral driver enclosure installed from below without the need for bulky housing
POE driver compatibility
- Installation** Not required when using the Driver Enclosure
- Housing** Optional: IC and Chicago plenum
Optional: new construction (with j-box and driver attached)
Optional: Landing pan for use with Driver Enclosure to locate cut-out locations
- Warranty** 5-year Limited (see complete company warranty information)
- Certifications** ETL and ETL-C for dry and damp location, CE, Wet Location rated



Recessed Plaster Trim



Recessed Bezel Trim



*Minimum of 5.5" (127mm) ceiling void is required to install the integral driver from below the ceiling.

technical information

4" ProTools DL Wall Wash Round Wall Wash

Model	Fixation	Power ^{1,2}	CRI/CCT ³	Driver ⁴	Cover	Lens	Finish	Options
WG-100RPTDLWW	RPT RBT	L M H XH TW WD	927 930 935 940 TW WD	X S D010 PEQ1 PEQ0 DFPN TW WD	RWW	WWL	W S ⁵	LP CP IC WL

- Model**
- WG-100RPTDLWW = 4" ProTools DL Wall Wash
- Fixation**
- RPT = Recessed Plaster Trim
 - RBT = Recessed Bezel Trim
- Power^{1,2}**
- L = Low Power, 5.7W @ 350mA
 - M = Mid Power, 8.4W @ 500mA
 - H = High Power, 12W @ 700mA
 - XH = Extra High Power, 17.8W @ 1050mA
 - TW = 9W @ 500mA
 - WD = 0.4 - 11.8W @ 350mA
- CRI/CCT³**
- 90+ CRI (Low/Mid/High/Extra High)
- 927 = 2700K, (267/371/499/699 lm)
 - 930 = 3000K, (288/399/537/752 lm)
 - 935 = 3500K, (288/399/537/752 lm)
 - 940 = 4000K, (308/427/575/806 lm)
 - TW = Tunable White 1800 - 4000K, (610 - 1060 lm)
 - WD = Warm Dimming 1800 - 3000K, (31 - 1150 lm)
- Driver⁴**
- X = Remote driver, ordered separately
 - S = Standard non-dim driver, 120-277V
 - D010 = EldoLED, 1%, 0-10V Driver, 120-277V
 - PEQ1 = Lutron Hi-lume 1% EcoSystem, 120-277V
 - PEQ0 = Lutron Hi-lume Premier 0.1% EcoSystem, 120-277V
 - DFPN = Lutron Forward Phase 1% 120VAC
 - TW = EldoLED, 0.1%, DALI dimming (TW), 120-277V
 - WD = EldoLED, 0.1%, 0-10V dimming (WD), 120-277V

- Cover**
- RWW = Round Wall Wash
- Lens**
- WWL = Wall Wash Spread Lens
- Finish**
- W = White, 15% gloss, RAL9003 (standard)
 - S = Silver, 15% gloss⁵
- Options**
- ProTools downlights require no additional options kits for remodel & new construction
- LP = Landing Pan
 - CP = Chicago Plenum Housing
 - IC = IC/NC Housing
 - WL = Wet Location

Whitegoods reserves the right to change any information without prior notice.

- Notes**
- 1 Other lumen packages available, consult factory.
 - 2 Wattage shown does not include power supplies/drivers. System wattage adds 10-20%.
 - 3 Delivered lumen data shown for WG-100RPTDLWW-...-RWW-WWL-W. See Page 2 for specsheet or additional details.
 - 4 See power supply page for details.
 - 5 Plaster trim version includes white frame and silver cover.

