

4" ProTools DL Downlight

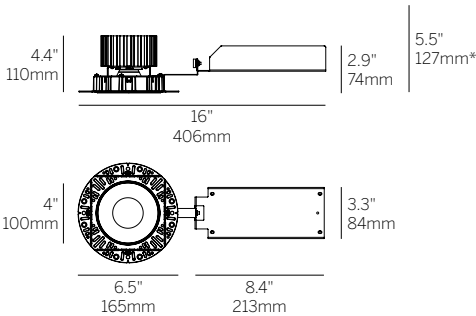
Round Recessed Cone



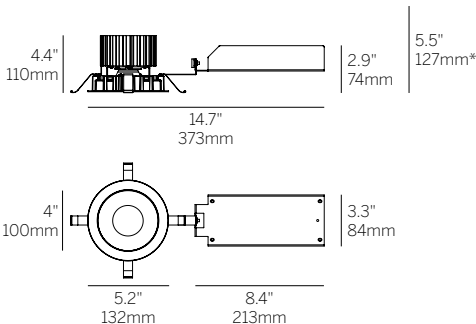
Recessed Plaster Trim



Recessed Bezel Trim



Recessed Plaster Trim (RPT)



Recessed Bezel Trim (RBT)

*Minimum of 5.5" (127mm) ceiling void is required to install the integral driver from below the ceiling.

Cut Out: Ø 4.75" / 121mm

Ordering Information

Model	Fixation	Power ^{1,2}	CRI/CCT ³	Driver ⁴	Cover	Lens	Beam	Finish	Options ⁶
WG-100RPTDLF					RRC				
WG-100RPTDLF	RPT RBT	L M H XH TW WD	927 930 935 940 TW WD	X S D010 PEQ1 PEQ0 DFPN TW WD	RRC	OA MPL RSC	16 32 41 65	W S ⁵	LP CP IC WL

Luminaire

- 4" round downlight with 2" light aperture.
- 0.7" regressed aperture / lens position.
- 55 degree cut-off.
- Luminaire and driver installed and maintained from below the ceiling.
- Modular interchangeability throughout the entire ProTools range of products.

Fixation

- RPT = Recessed Plaster Trim
- RBT = Recessed Bezel Trim

Power^{1,2}

- L = Low Power, 5.7W @ 350mA
- M = Mid Power, 8.4W @ 500mA
- H = High Power, 12W @ 700mA
- XH = Extra High Power, 17.8W @ 1050mA
- TW = 9W @ 500mA
- WD = 0.4 - 11.8W @ 350mA

CRI/CCT³

- 90+ CRI (Low/Mid/High/Extra High)
- 927 = 2700K, (492/683/919/1287 lm)
 - 930 = 3000K, (529/734/989/1385 lm)
 - 935 = 3500K, (529/734/989/1385 lm)
 - 940 = 4000K, (567/786/1058/1483 lm)
 - TW = Tunable White 1800 - 4000K, (610 - 1060 lm)
 - WD = Warm Dimming 1800 - 3000K, (31 - 1150 lm)

Driver⁴

- X = Remote driver, ordered separately
- S = Standard non-dim driver, 120-277V
- D010 = EldoLED, 1%, 0-10V Driver, 120-277V
- PEQ1 = Lutron Hi-lume 1% EcoSystem, 120-277V
- PEQ0 = Lutron Hi-lume Premier 0.1% EcoSystem, 120-277V
- DFPN = Lutron Forward Phase 1% 120VAC
- TW = EldoLED, 0.1%, DALI dimming (TW), 120-277V
- WD = EldoLED, 0.1%, 0-10V dimming (WD), 120-277V

Cover

- RRC = Round Recessed Cone

Lens

- OA = Open Aperture
- MPL = Micro-prismatic Lens
- RSC = Satin Clear

Beam

- 16 = 16° Beam Angle
- 32 = 32° Beam Angle
- 41 = 41° Beam Angle
- 65 = 65° Beam Angle

Finish

- W = White, 15% gloss, RAL9003 (standard)
- S = Silver, 15% gloss⁵

Options⁶

ProTools downlights require no additional options kits for remodel & new construction

- LP = Landing Pan
- CP = Chicago Plenum Housing
- IC = IC/NC Housing
- WL = Wet Location (not available with open aperture)

¹ Other lumen packages available, consult factory.

² Wattage shown does not include power supplies/drivers. System wattage adds 10-20%.

³ Delivered lumen data shown for WG-100RPTDLF-...-RRC-OA-16-W. Refer to page 2 for delivered lumen data for other product configurations.

⁴ See power supply page for details.

⁵ Plaster trim version includes white frame and silver cover.

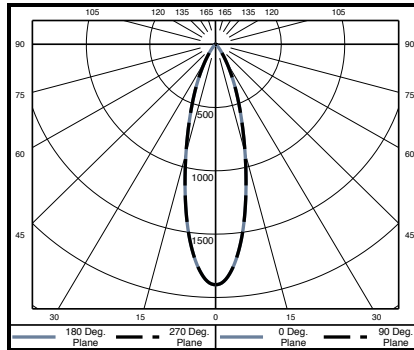
⁶ To specify multiple options, select the appropriate grouped codes from the dropdown e.g. LP-WL.

4" ProTools DL Downlight

Round Recessed Cone

WG-100RPTDLF-...-RRC-OA-16-W

		Delivered Lumens			
Power	W	2700K	3000K	3500K	4000K
L	5.7	492	529	529	567
M	8.4	683	734	734	786
H	12	919	989	989	1058
XH	17.8	1385	1385	1385	1483



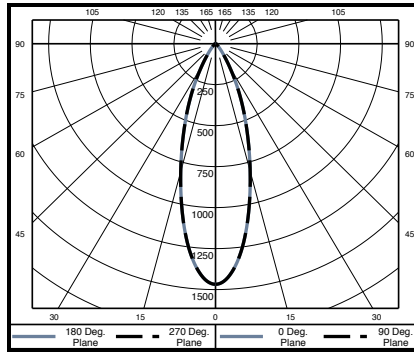
Polar Plot

Cone of Light Tabulation*		
Mounting Height (Ft)	Footcandles at Nadir	Diameter (Ft)
4	119	1.9
6	52.8	2.9
8	29.7	3.8
10	19	4.8
12	13.2	5.7
14	9.7	6.7
16	7.4	7.7

*Tabulation uses Mid Power / 935 LED

WG-100RPTDLF-...-RRC-OA-32-W

		Delivered Lumens			
Power	W	2700K	3000K	3500K	4000K
L	5.7	454	489	489	523
M	8.4	630	678	678	726
H	12	848	912	912	977
XH	17.8	1188	1278	1278	1368



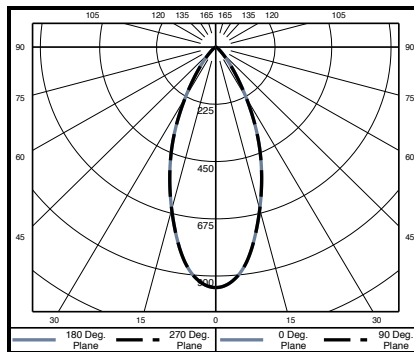
Polar Plot

Cone of Light Tabulation*		
Mounting Height (Ft)	Footcandles at Nadir	Diameter (Ft)
4	91.7	2.1
6	40.8	3.2
8	22.9	4.3
10	14.7	5.4
12	10.2	6.4
14	7.5	7.5
16	5.7	8.6

*Tabulation uses Mid Power / 935 LED

WG-100RPTDLF-...-RRC-OA-41-W

		Delivered Lumens			
Power	W	2700K	3000K	3500K	4000K
L	5.7	427	459	459	491
M	8.4	592	637	637	682
H	12	796	857	857	918
XH	17.8	1116	1200	1200	1285



Polar Plot

Cone of Light Tabulation*		
Mounting Height (Ft)	Footcandles at Nadir	Diameter (Ft)
4	59.1	2.7
6	26.3	4
8	14.8	5.4
10	9.5	6.7
12	6.6	8
14	4.8	9.4
16	3.7	10.7

*Tabulation uses Mid Power / 935 LED

Delivered Lumen Lens Multipliers

Open Aperture (OA)	1.00
Micro-prismatic Lens (MPL)	0.90
Satin Clear (RSC)	0.88