

4" ProTools DL Adjustable Square Asymmetric Cone

Asymmetric Cover For Minimum Beam Clipping
With Wider Angle Optics And Higher Angle Focusing

- 4" square downlight with 2" light aperture.
- 0.7 regressed aperture / lens position provides good glare control.
- Beam Angle: Various
- Asymmetric cover to minimize beam clipping when tilted.
- Open aperture, clear lens or high transmission diffuser.
- Luminaire and driver installed and maintained from below the ceiling.
- Mounts in 1/16" to 1" surface.
- Tunable White and Warm Dim.
- Modular interchangeability throughout the entire ProTools range of products.
- Tilt 40°, rotation 365°, 144 step.
- Wet Location as standard option (WL).

Housing Die-cast aluminum for precision fit and heat dissipation
Mounting hardware for all ceiling types; trim and trimless
EZ clip mounting for secure installation
Snap-in cover
Trimless housing with Quik-Snap feature allows endless multiple combinations without specialized housings

Covers Square asymmetric cone with minimal ceiling interruption

LED 90+ CRI
Low/Mid/High/Extra High output choices
2700K, 3000K, 3500K, 4000K
Tuneable White from 1800K - 4000K
Warm Dim from 1800 - 3000K

Beam 16, 32 and 41 degree beam spreads

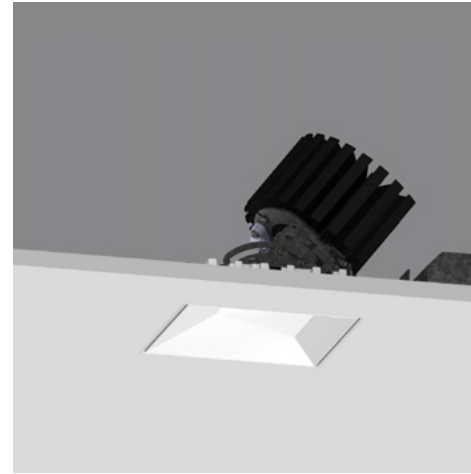
Driver Integral and remote drivers for all dimming and non-dimming applications
Through-wire integral driver enclosure installed from below without the need for bulky housing
POE driver compatibility

Installation Not required when using the Driver Enclosure

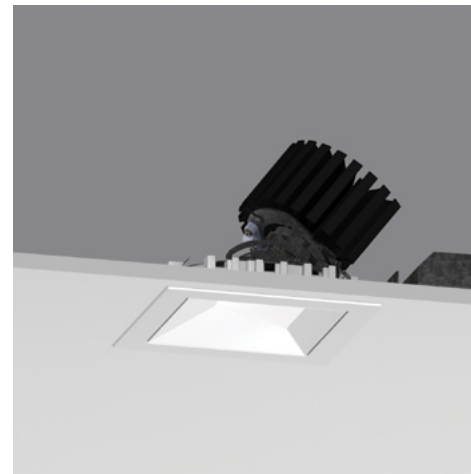
Housing Optional: IC and Chicago plenum
Optional: new construction (with j-box and driver attached)
Optional: Landing pan for use with Driver Enclosure to locate cut-out locations

Warranty 5-year Limited (see complete company warranty information)

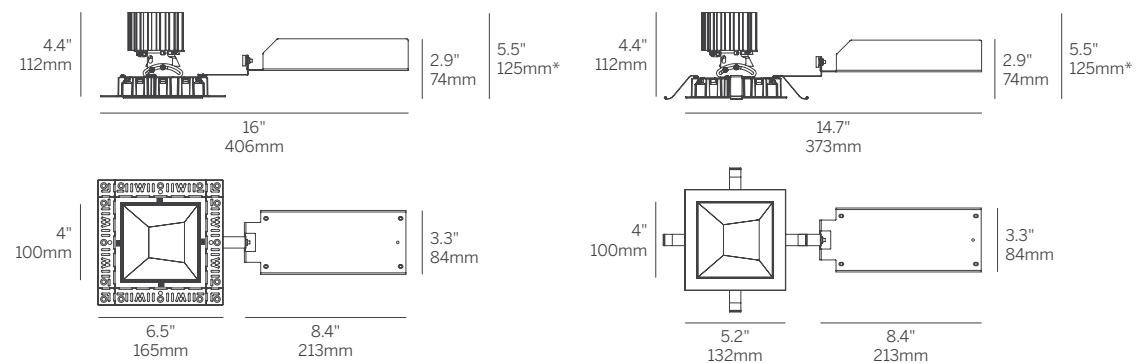
Certifications ETL and ETL-C for dry and damp location, CE, Wet Location rated



Recessed Plaster Trim



Recessed Bezel Trim



Plaster Trim

Bezel Trim

*Minimum of 5.5" (127mm) ceiling void is required to install the integral driver from below the ceiling.

technical information

4" ProTools DL Adjustable Square Asymmetric Cover

Model	Fixation	Power ^{1,2}	CRI/CCT ³	Driver ⁴	Cover	Lens	Beam	Finish	Options
WG-100SPTDLA	RPT RBT	L M H XH TW WD	927 930 935 940 TW WD	X S D010 PEQ1 PEQ0 DFPN TW WD	SAC	OA MPL RSC	16 32 41	W S ⁵	LP CP IC WL

Model

- WG-100SPTDLA = 4" ProTools DL Adjustable

Fixation

- RPT = Recessed Plaster Trim
- RBT = Recessed Bezel Trim

Power^{1,2}

- L = Low Power, 5.7W @ 350mA
- M = Mid Power, 8.4W @ 500mA
- H = High Power, 12W @ 700mA
- XH = Extra High Power, 17.8W @ 1050mA
- TW = 9W @ 500mA
- WD = 0.4 - 11.8W @ 350mA

CRI/CCT³

- 90+ CRI (Low/Mid/High/Extra High)
- 927 = 2700K, (447/620/834/1169 lm)
- 930 = 3000K, (481/667/898/1258 lm)
- 935 = 3500K, (481/667/898/1258 lm)
- 940 = 4000K, (515/714/961/1347 lm)
- TW = Tunable White 1800 - 4000K, (610 - 1060 lm)
- WD = Warm Dimming 1800 - 3000K, (31 - 1150 lm)

Driver⁴

- X = Remote driver, ordered separately
- S = Standard non-dim driver, 120-277V
- D010 = EldoLED, 1%, 0-10V Driver, 120-277V
- PEQ1 = Lutron Hi-lume 1% EcoSystem, 120-277V
- PEQ0 = Lutron Hi-lume Premier 0.1% EcoSystem, 120-277V
- DFPN = Lutron Forward Phase 1% 120VAC
- TW = EldoLED, 0.1%, DALI dimming (TW), 120-277V
- WD = EldoLED, 0.1%, 0-10V dimming (WD), 120-277V

Cover

- SAC = Square Asymmetric Cone

Lens

- OA = Open Aperture
- MPL = Micro-prismatic Lens
- RSC = Satin Clear

Beam

- 16 = 16° Beam Angle
- 32 = 32° Beam Angle
- 41 = 41° Beam Angle

Finish

- W = White, 15% gloss, RAL9003 (standard)
- S = Silver, 15% gloss⁵

Options

- ProTools downlights require no additional options kits for remodel & new construction
- LP = Landing Pan
 - CP = Chicago Plenum Housing
 - IC = IC/NC Housing
 - WL = Wet Location (not available with open aperture)

Whitegoods reserves the right to change any information without prior notice.

Notes

- 1 Other lumen packages available, consult factory.
- 2 Wattage shown does not include power supplies/drivers. System wattage adds 10-20%.
- 3 Delivered lumen data shown for WG-100SPTDLA-...-SAC-OA-16-W. See page 2 of specsheet for delivered lumen data for other product configurations.
- 4 See power supply page for details.
- 5 Plaster trim version includes white frame and silver cover.