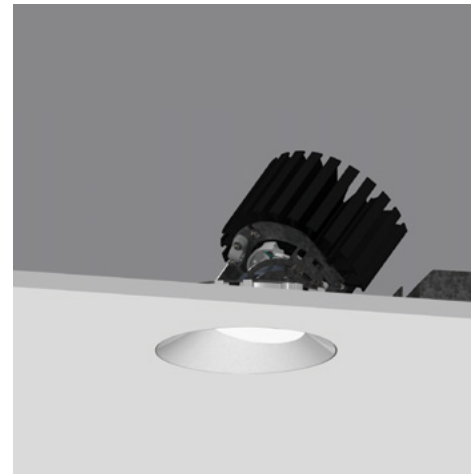


# 4" ProTools DL Adjustable Round Asymmetric Cone

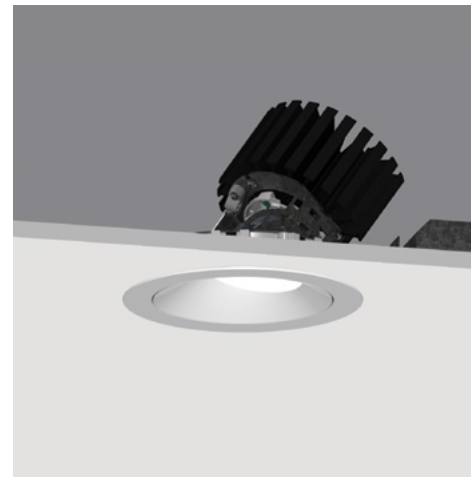
Asymmetric Cover For Minimum Beam Clipping With Wider Angle Optics And Higher Angle Focusing

- 4" round downlight with 2" light aperture.
- 0.7" regressed aperture / lens position provides good glare control.
- Beam Angle: Various
- Asymmetric cover to minimize beam clipping when tilted.
- Open aperture, clear lens or high transmission diffuser.
- Luminaire and driver installed and maintained from below the ceiling.
- Mounts in 1/16" to 1" surface.
- Tunable White and Warm Dim.
- Modular interchangeability throughout the entire ProTools range of products.
- Tilt 40°, rotation 365°, 144 step.
- Wet Location as standard option (WL).

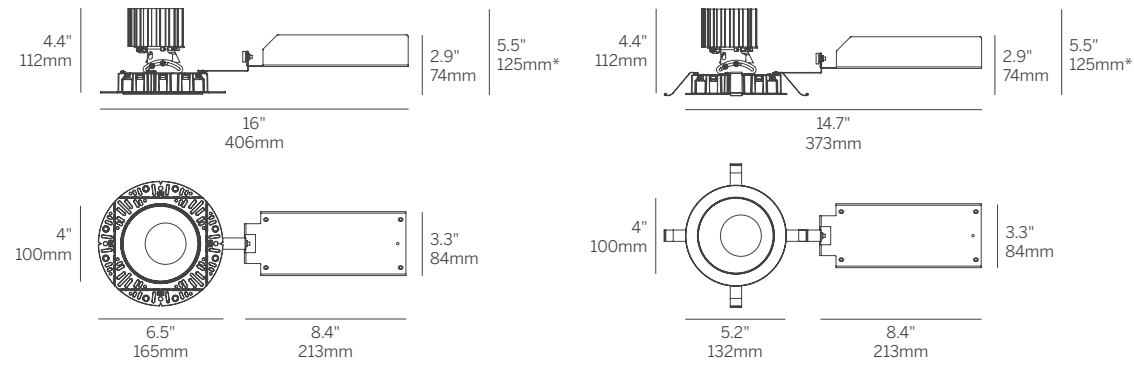
- Housing** Die-caste aluminum for precision fit and heat dissipation  
Mounting hardware for all ceiling types; trim and trimless  
EZ clip mounting for secure installation  
Snap-in cover  
Trimless housing with Quik-Snap feature allows endless multiple combinations without specialized housings
- Covers** Round asymmetric cone with minimal ceiling interruption
- LED** 90+ CRI  
Low/Mid/High/Extra High output choices  
2700K, 3000K, 3500K, 4000K  
Tuneable White from 1800K - 4000K  
Warm Dim from 1800 - 3000K
- Beam** 16, 32 and 41 degree beam spreads
- Driver** Integral and remote drivers for all dimming and non-dimming applications  
Through-wire integral driver enclosure installed from below without the need for bulky housing  
POE driver compatibility
- Installation** Not required when using the Driver Enclosure
- Housing** Optional: IC and Chicago plenum  
Optional: new construction (with j-box and driver attached)  
Optional: Landing pan for use with Driver Enclosure to locate cut-out locations
- Warranty** 5-year Limited (see complete company warranty information)
- Certifications** ETL and ETL-C for dry and damp location, CE, Wet Location rated



Recessed Plaster Trim



Recessed Bezel Trim



\*Minimum of 5.5" (127mm) ceiling void is required to install the integral driver from below the ceiling.

technical information

# 4" ProTools DL Adjustable Round Asymmetric Cone

Model	Fixation	Power <sup>1,2</sup>	CRI/CCT <sup>3</sup>	Driver <sup>4</sup>	Cover	Lens	Beam	Finish	Options
WG-100RPTDLA	RPT RBT	L M H XH TW WD	927 930 935 940 TW WD	X S D010 PEQ1 PEQ0 DFPN TW WD	RAC	OA MPL RSC	16 32 41	W S <sup>5</sup>	LP CP IC WL

- Model**
- WG-100RPTDLA = 4" ProTools DL Adjustable
- Fixation**
- RPT = Recessed Plaster Trim
  - RBT = Recessed Bezel Trim
- Power<sup>1,2</sup>**
- L = Low Power, 5.7W @ 350mA
  - M = Mid Power, 8.4W @ 500mA
  - H = High Power, 12W @ 700mA
  - XH = Extra High Power, 17.8W @ 1050mA
  - TW = 9W @ 500mA
  - WD = 0.4 - 11.8W @ 350mA
- CRI/CCT<sup>3</sup>**
- 90+ CRI (Low/Mid/High/Extra High)
- 927 = 2700K, (501/695/936/1311 lm)
  - 930 = 3000K, (539/748/1007/1410 lm)
  - 935 = 3500K, (539/748/1007/1410 lm)
  - 940 = 4000K, (577/801/1078/1510 lm)
  - TW = Tunable White 1800 - 4000K, (610 - 1060 lm)
  - WD = Warm Dimming 1800 - 3000K, (31 - 1150 lm)
- Driver<sup>4</sup>**
- X = Remote driver, ordered separately
  - S = Standard non-dim driver, 120-277V
  - D010 = EldoLED, 1%, 0-10V Driver, 120-277V
  - PEQ1 = Lutron Hi-lume 1% EcoSystem, 120-277V
  - PEQ0 = Lutron Hi-lume Premier 0.1% EcoSystem, 120-277V
  - DFPN = Lutron Forward Phase 1% 120VAC
  - TW = EldoLED, 0.1%, DALI dimming (TW), 120-277V
  - WD = EldoLED, 0.1%, 0-10V dimming (WD), 120-277V
- Cover**
- RAC = Round Asymmetric Cone
- Lens**
- OA = Open Aperture
  - MPL = Micro-prismatic Lens
  - RSC = Satin Clear
- Beam**
- 16 = 16° Beam Angle
  - 32 = 32° Beam Angle
  - 41 = 41° Beam Angle
- Finish**
- W = White, 15% gloss, RAL9003 (standard)
  - S = Silver, 15% gloss<sup>5</sup>
- Options**
- ProTools downlights require no additional options kits for remodel & new construction
- LP = Landing Pan
  - CP = Chicago Plenum Housing
  - IC = IC/NC Housing
  - WL = Wet Location (not available with open aperture)

Whitegoods reserves the right to change any information without prior notice.

**Notes**

- 1 Other lumen packages available, consult factory.
- 2 Wattage shown does not include power supplies/drivers. System wattage adds 10-20%.
- 3 Delivered lumen data shown for WG-100RPTDLA-...-RAC-OA-16-W. Refer to page 2 for delivered lumendata for other product configurations.
- 4 See power supply page for details.
- 5 Plaster trim version includes white frame and silver cover.

