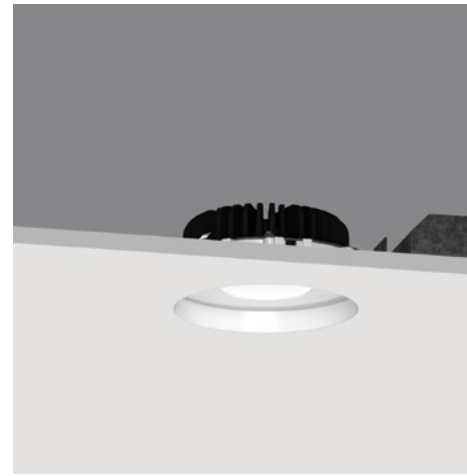


4" ProTools D Downlight Round Regressed Pinhole

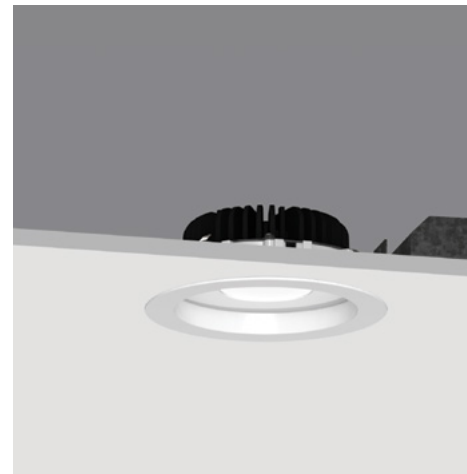
Even Illumination From Regressed Lens

- 4" round aperture downlight with wide distribution ambient lighting.
- 0.7" regressed, evenly illuminated, highly efficient Satin Opal Diffuser providing good glare control.
- High efficiency, high transmission diffuser.
- Beam Angle: 110°
- Luminaire and driver installed and maintained from below the ceiling.
- Mounts in 1/16" to 1" surface.
- Modular interchangeability throughout the entire ProTools range of products.

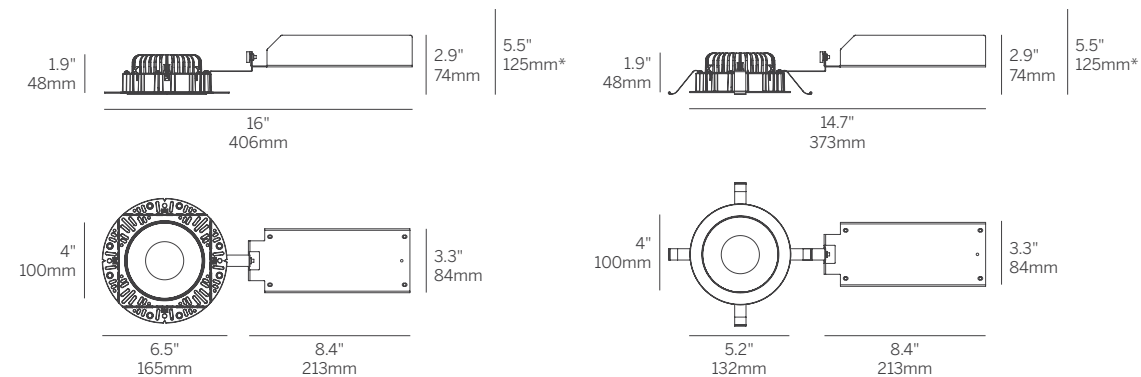
- Housing** Die-cast aluminum for precision fit and heat dissipation
Mounting hardware for all ceiling types; trim and trimless
EZ clip mounting for secure installation
Snap-in cover
Trimless housing with Quik-Snap feature allows endless multiple combinations without specialized housings
- Covers** Round regressed pinhole with minimal ceiling interruption and satin opal lens
- LED** 90+ CRI
Low/Mid/High output choices
2700K, 3000K, 3500K, 4000K
- Beam** 110 degree beam spread
- Driver** Integral and remote drivers for all dimming and non-dimming applications
Through-wire integral driver enclosure installed from below without the need for bulky housing
POE driver compatibility
- Installation** Not required when using the Driver Enclosure
- Housing** Optional: IC and Chicago plenum
Optional: new construction (with j-box and driver attached)
Optional: Landing pan for use with Driver Enclosure to locate cut-out locations
- Warranty** 5-year Limited (see complete company warranty information)
- Certifications** ETL and ETL-C for dry and damp location, CE



Recessed Plaster Trim



Recessed Bezel Trim



*Minimum of 5.5" (127mm) ceiling void is required to install the integral driver from below the ceiling.

Plaster Trim

Bezel Trim

technical
information

4" ProTools D Downlight Round Regressed Pinhole

Model	Fixation	Power ^{1,2}	CRI/ CCT ³	Driver ⁴	Cover	Lens	Beam	Finish	Options
WG-100RPTD	RPT RBT	L M H	927 930 935 940	X S D010 PEQ1 PEQ0 DFPN	RRP	RSO	110	W S ⁵	LP CP IC

Model

- WG-100SRTD = 4" ProTools D Downlight

Fixation

- RPT = Recessed Plaster Trim
- RBT = Recessed Bezel Trim

Power^{1,2}

- L = Low Power, 11W @ 350mA
- M = Mid Power, 15W @ 500mA
- H = High Power, 22.5W @ 700mA

CRI/CCT³

- 927 = 2700K, (657/916/1245 lm)
- 930 = 3000K, (675/942/1280 lm)
- 935 = 3500K, (712/993/1349 lm)
- 940 = 4000K, (751/1047/1423 lm)

Driver⁴

- X = Remote driver, ordered separately
- S = Standard non-dim driver, 120-277V
- D010 = EldoLED, 1%, 0-10V Driver, 120-277V
- PEQ1 = Lutron Hi-lume 1% EcoSystem, 120-277V (low and mid power only)
- PEQ0 = Lutron Hi-lume Premier 0.1% EcoSystem, 120-277V (low and mid power only)
- DFPN = Lutron Forward Phase 1% 120VAC

Cover

- RRP = Round Regressed Pinhole

Lens

- RSO = Satin Opal

Beam

- 110 = 110° Beam Angle

Finish

- W = White, 15% gloss, RAL9003 (standard)
- S = Silver, 15% gloss⁵

Options

ProTools downlights require no additional options kits for remodel & new construction

- LP = Landing Pan
- CP = Chicago Plenum Housing
- IC = IC/NC Housing

Whitegoods reserves the right to change any information without prior notice.

Notes

- 1 Other lumen packages available, consult factory.
- 2 Wattage shown does not include power supplies/drivers. System wattage adds 10-20%.
- 3 Delivered lumens shown for 100RPTD-...RRP-RSO-110-W. See Page 2 of specsheet for additional details..
- 4 See power supply page for details.
- 5 Plaster trim version includes white frame and silver cover.