

4" ProTools D Downlight Round Flush Diffuser

High-Angle Distribution Ambient Lighting

- 4" aperture square downlight for wide distribution ambient lighting.
- High angle distribution giving good vertical illumination.
- High transmission, evenly illuminated Flush Satin Diffuser.
- Beam Angle: Lambertian
- Luminaire and driver installed and maintained from below the ceiling.
- Mounts in 1/16" to 1" surface.
- Modular interchangeability throughout the entire ProTools range of products.

Housing Die-cast aluminum for precision fit and heat dissipation
Mounting hardware for all ceiling types; trim and trimless
EZ clip mounting for secure installation
Snap-in cover
Trimless housing with Quik-Snap feature allows endless multiple combinations without specialized housings

Covers Round aperture with minimal ceiling interruption and flush lens

LED 90+ CRI
Low/Mid/High output choices
2700K, 3000K, 3500K, 4000K

Beam Lambertian

Driver Integral and remote drivers for all dimming and non-dimming applications
Through-wire integral driver enclosure installed from below without the need for bulky housing
POE driver compatibility

Installation Not required when using the Driver Enclosure

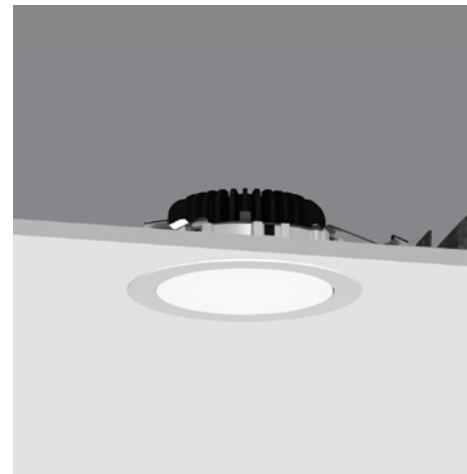
Housing Optional: IC and Chicago plenum
Optional: new construction (with j-box and driver attached)
Optional: Landing pan for use with Driver Enclosure to locate cut-out locations

Warranty 5-year Limited (see complete company warranty information)

Certifications ETL and ETL-C for dry and damp location, CE



Recessed Plaster Trim



Recessed Bezel Trim

4" ProTools D Downlight Round Flush Diffuser

Model	Fixation	Power ^{1,2}	CRI/ CCT ³	Driver ⁴	Lens	Beam	Finish	Options
WG-100RPTD	RPT RBT	L M H	927 930 935 940	X S D010 PEQ1 PEQ0 DFPN	FROD	LAM	W S ⁵	LP CP IC

Model

- WG-100RPTD = 4" ProTools D Downlight

Fixation

- RPT = Recessed Plaster Trim
- RBT = Recessed Bezel Trim

Power^{1,2}

- L = Low Power, 11W @ 350mA
- M = Mid Power, 15W @ 500mA
- H = High Power, 22.5W @ 700mA

CRI/CCT³

- 90+ CRI (Low/Mid/High Power)
- 927 = 2700K, (849/1185/1609 lm)
 - 930 = 3000K, (873/1218/1655 lm)
 - 935 = 3500K, (920/1284/1744 lm)
 - 940 = 4000K, (971/1354/1839 lm)

Driver⁴

- X = Remote driver, ordered separately
- S = Standard non-dim driver, 120-277V
- D010 = EldoLED, 1%, 0-10V Driver, 120-277V
- PEQ1 = Lutron Hi-lume 1% EcoSystem, 120-277V (low and mid power only)
- PEQ0 = Lutron Hi-lume Premier 0.1% EcoSystem, 120-277V (low and mid power only)
- DFPN = Lutron Forward Phase 1% 120VAC

Lens

- FROD = Flush Round Satin Opal Lens

Beam

- LAM = Lambertian

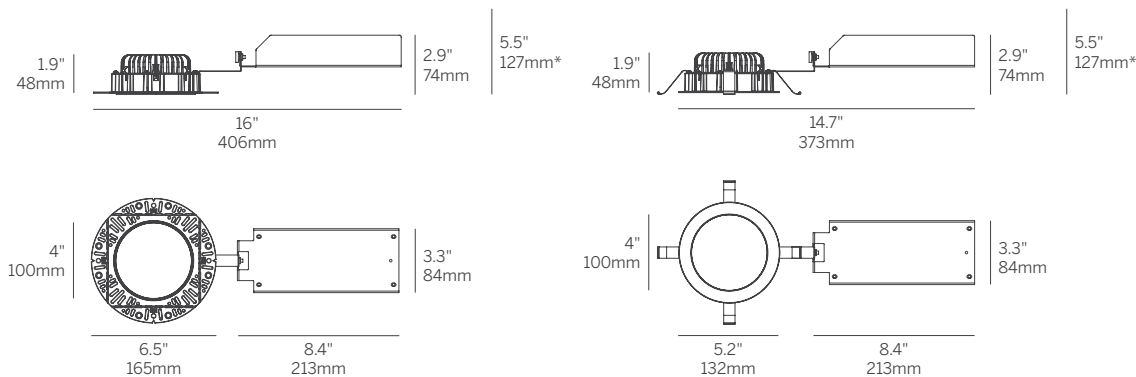
Finish

- W = White, 15% gloss, RAL9003 (standard)
- S = Silver, 15% gloss⁵

Options

ProTools downlights require no additional options kits for remodel & new construction

- LP = Landing Pan
- CP = Chicago Plenum Housing
- IC = IC/NC Housing



*Minimum of 5.5" (127mm) ceiling void is required to install the integral driver from below the ceiling.

technical information

Whitegoods reserves the right to change any information without prior notice.

Notes

- 1 Other lumen packages available, consult factory.
- 2 Wattage shown does not include power supplies/drivers. System wattage adds 10-20%.
- 3 Delivered lumen data shown for 100RPTD-...-FROD-LAM-W. See Page 2 of specsheet for additional details.
- 4 See power supply page for details.
- 5 Plaster trim version includes white frame and silver cover.