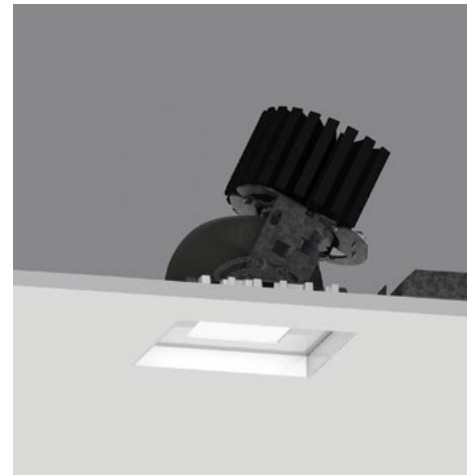


# 4" ProTools DLX Adjustable Square Regressed Pinhole

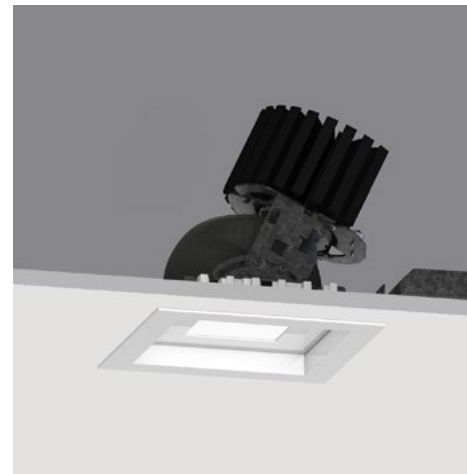
Full Featured With Accessory Holder And Ceiling Void Light Leak Hood

- 4" square downlight with 2" light aperture.
- Regressed aperture / lens position provides good glare control.
- Beam Angle: Various, Cut Off: 35°.
- Open aperture, clear lens or optical accessory lenses.
- No light leak or view into ceiling void from below due to a unique light leak hood.
- Luminaire and driver installed and maintained from below the ceiling.
- Mounts in 1/16" to 1" surface.
- Tunable White and Warm Dim.
- Modular interchangeability throughout the entire ProTools range of products.
- Tilt 45°, rotation 365°, 144 step.

- Housing** Die-caste aluminum for precision fit and heat dissipation  
Mounting hardware for all ceiling types; trim and trimless  
EZ clip mounting for secure installation  
Snap-in cover  
Trimless housing with Quick-Snap feature allows endless multiple combinations without specialized housings
- Covers** Square regressed pinhole - smallest aperture, maximum glare control
- LED** 90+ CRI  
Low/Mid/High/Extra High output choices  
2700K, 3000K, 3500K, 4000K  
Tunable White from 1800K - 4000K  
Warm Dim from 1800 - 3000K
- Beam** 16, 32 and 41 degree beam spreads
- Driver** Integral and remote drivers for all dimming and non-dimming applications  
Through-wire integral driver enclosure installed from below without the need for bulky housing  
POE driver compatibility
- Installation** Not required when using the Driver Enclosure
- Housing** Optional: IC and Chicago plenum  
Optional: new construction (with j-box and driver attached)  
Optional: Landing pan for use with Driver Enclosure to locate cut-out locations
- Warranty** 5-year Limited (see complete company warranty information)
- Certifications** ETL and ETL-C for dry and damp location, CE



Recessed Plaster Trim

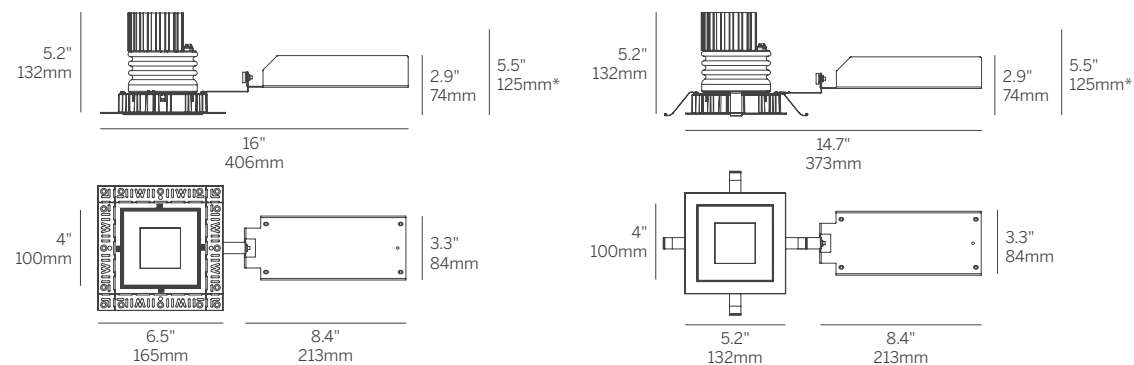


Recessed Bezel Trim

# 4" ProTools DLX Adjustable Square Regressed Pinhole

Model	Fixation	Power <sup>1,2</sup>	CRI/ CCT <sup>4</sup>	Driver <sup>5</sup>	Cover	Lens	Beam	Finish <sup>6</sup>	Options
WG-100SPTDLX	RPT RBT	L M H XH TW WD <sup>3</sup>	927 930 935 940 TW WD <sup>3</sup>	X S D010 PEQO TW	SRP	OA MPL RSC	16 32 41	W S <sup>7</sup>	LP CP IC

- Model**
- WG-100SPTDLX = 4" ProTools DLX Adjustable
- Fixation**
- RPT = Recessed Plaster Trim
  - RBT = Recessed Bezel Trim
- Power<sup>1,2</sup>**
- L = Low Power, 5.7W @ 350mA
  - M = Mid Power, 8.4W @ 500mA
  - H = High Power, 12W @ 700mA
  - XH = Extra High Power, 17.8W @ 1050mA
  - TW = 9W @ 500mA
  - WD = 0.4 - 11.8W @ 350mA<sup>3</sup>
- CRI/CCT<sup>4</sup>**
- 90+ CRI (Low/Mid/High/Extra High)
- 927 = 2700K, (494/686/923/1293 lm)
  - 930 = 3000K, (532/738/993/1391 lm)
  - 935 = 3500K, (532/738/993/1391 lm)
  - 940 = 4000K, (569/790/1063/1489 lm)
  - TW = Tunable White 1800 - 4000K, (610 - 1060 lm)
  - WD = Warm Dimming 1800 - 3000K, (31 - 1150 lm)<sup>3</sup>
- Driver<sup>5</sup>**
- X = Remote driver, ordered separately
  - S = Standard non-dim driver, 120-277V
  - D010 = EldoLED, 1%, 0-10V Driver, 120-277V
  - PEQO = Lutron Hi-lume Premier 0.1% EcoSystem, SoftOn/FadeToBlack, 120-277V
  - TW = EldoLED, 0.1%, DALI dimming (TW), 120-277V
- Cover**
- SRP = Square Regressed Pinhole
- Lens**
- OA = Open Aperture
  - MPL = Micro-prismatic Lens
  - RSC = Satin Clear
- Beam**
- 16 = 16° Beam Angle
  - 32 = 32° Beam Angle
  - 41 = 41° Beam Angle
- Finish<sup>6</sup>**
- W = White, 15% gloss, Tiger Drylac 49/11350 (standard)
  - S = Silver, 15% gloss, Tiger Drylac49/90500<sup>7</sup>
- Options**
- ProTools downlights require no additional options kits for remodel & new construction
- LP = Landing Pan (specify for Acoustic Ceiling Tile installation)
  - CP = Chicago Plenum Housing
  - IC = IC/NC Housing
- Optical Accessory Holder**
- Up to 3 lenses and/or accessories can be added to the Optical Accessory Holder
- HX = Hex Louver
  - FG = Frosted Glass
  - LS = Linear Spread Lens
  - SOL = Solite Lens



\*Minimum of 5.5" (127mm) ceiling void is required to install the integral driver from below the ceiling.

technical information

Whitegoods reserves the right to change any information without prior notice.

**Notes**

- 1 Other lumen packages available, consult factory.
- 2 Wattage shown does not include power supplies/drivers. System wattage adds 10-20%.
- 3 Delivered lumen data shown for WG-100SPTDLX-...-SRP-OA-16-W. Refer to page 2 of specsheet for delivered lumen datafor other product configurations. Source lumen data shown for TW and WD options.
- 4 See power supply page for details.
- 5 See Tiger Drylac color chart: inter-lux.com/tiger
- 5 Plaster trim version includes white frame and gray cover.

