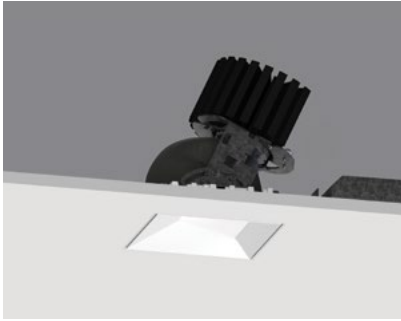


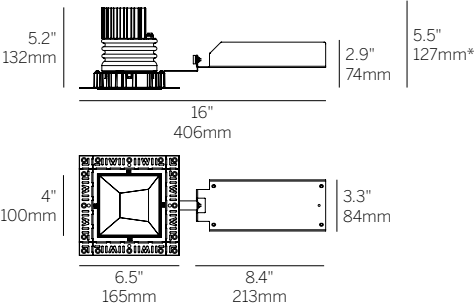
4" ProTools DLX Adjustable Square Asymmetric Cone



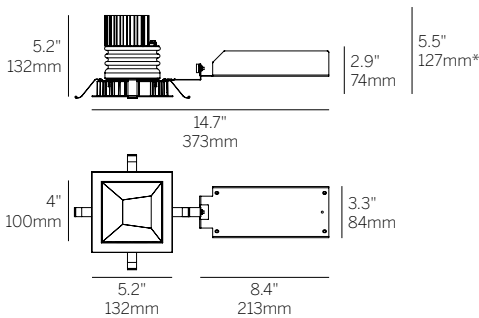
Recessed Plaster Trim



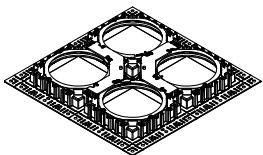
Recessed Bezel Trim



Recessed Plaster Trim (RPT)



Recessed Bezel Trim (RBT)



Multiple luminaire configurations for plaster trim. See Multiple Luminaire specsheet for details.

*Minimum of 5.5" (127mm) ceiling void is required to install the integral driver from below the ceiling.

Cut Out: \varnothing 4.75" / 121mm

Ordering Information

Model	Fixation	Power ^{1,2}	CRI/CCT ⁴	Driver ⁵	Cover	Lens	Beam	Finish ⁶	Options ⁸
WG-100SPTDLX					SAC				
WG-100SPTDLX	RPT RBT	L M H XH TW WD ³	927 930 935 940 TW WD ³	X S D010 PEQO DALI	SAC	OA MPL RSC	16 32 41	W S ⁷	LP CP IC WL

Luminaire

- 4" square adjustable downlight with 2" light aperture.
- Regressed aperture / lens position.
- No light leak or view into ceiling void from below due to a unique light leak hood.
- Luminaire and driver installed and maintained from below the ceiling.
- Tilt 45°, rotation 365°, 144 step.
- Multiple luminaire configurations for plaster trim. See Multiple Luminaire specsheet for details.

Fixation

- RPT = Recessed Plaster Trim
- RBT = Recessed Bezel Trim

Power^{1,2}

- L = Low Power, 5.7W @ 350mA
- M = Mid Power, 8.4W @ 500mA
- H = High Power, 12W @ 700mA
- XH = Extra High Power, 17.8W @ 1050mA
- TW = 9W @ 500mA
- WD = 0.4 - 11.8W @ 350mA³

CRI/CCT⁴

- 90+ CRI (Low/Mid/High/Extra High)
- 927 = 2700K, (447/620/834/1169 lm)
 - 930 = 3000K, (481/667/898/1258 lm)
 - 935 = 3500K, (481/667/898/1258 lm)
 - 940 = 4000K, (515/714/961/1347 lm)
 - TW = Tunable White 1800 - 4000K, (610 - 1060 lm)
 - WD = Warm Dimming 1800 - 3000K, (31 - 1150 lm³)

Driver⁵

- X = Remote driver, ordered separately
- S = Standard non-dim driver, 120-277V
- D010 = EldoLED, 1%, 0-10V Driver, 120-277V
- PEQO = Lutron Hi-lume Premier 0.1% EcoSystem, SoftOn/FadeToBlack, 120-277V
- DALI = EldoLED, 0.1%, DALI dimming (TW), 120-277V

Cover

- SAC = Square Asymmetric Cone

Lens

- OA = Open Aperture
- MPL = Micro-prismatic Lens
- RSC = Satin Clear

Beam

- 16 = 16° Beam Angle
- 32 = 32° Beam Angle
- 41 = 41° Beam Angle

Finish⁶

- W = White, 15% gloss, Tiger Drylac 49/11350 (standard)
- S = Silver, 15% gloss, Tiger Drylac 49/90500⁷

Options⁸

ProTools downlights require no additional options kits for remodel & new construction

- LP = Landing Pan
- CP = Chicago Plenum Housing
- IC = IC/NC Housing
- WL = Wet Location (not available with open aperture)

Optical Accessory Holder (Check up to 3 lenses and/or accessories below)

- HX = Hex Louver
- FG = Frosted Glass
- LS = Linear Spread Lens
- SOL = Solite Lens

¹ Other lumen packages available, consult factory.

² Wattage shown does not include power supplies/drivers. System wattage adds 10-20%.

³ Available with PEQO driver only.

⁴ Delivered lumen data shown for WG-100SPTDLX-...-SAC-OA-16-W. Refer to page 2 for delivered lumen data for other product configurations. Source lumen data is shown for TW and WD options.

⁵ See power supply page for details.

⁶ See Tiger Drylac color chart: inter-lux.com/tiger

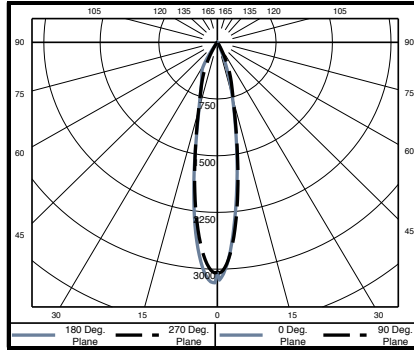
⁷ Plaster trim version includes white frame and silver cover.

⁸ To specify multiple options, select the appropriate grouped codes from the dropdown e.g. LP-WL

4" ProTools DLX Adjustable Square Asymmetric Cone

WG-100SPTDLX-...-SAC-OA-16-W

		Delivered Lumens			
Power	W	2700K	3000K	3500K	4000K
L	5.7	447	481	481	515
M	8.4	620	667	667	714
H	12	834	898	898	961
XH	17.8	1169	1258	1258	1347

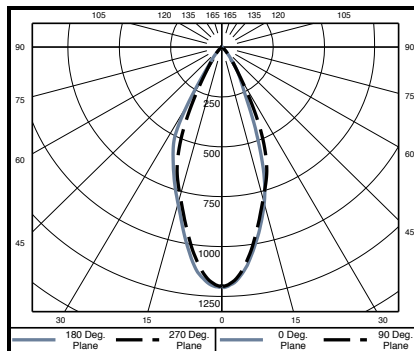


Cone of Light Tabulation*		
Mounting Height (Ft)	Footcandles at Nadir	Diameter (Ft)
4	190	1.4
6	84.3	2.1
8	47.4	2.8
10	30.4	3.5
12	21.1	4.2
14	15.5	4.9
16	11.9	5.6

*Tabulation uses Mid Power / 935 LED

WG-100SPTDLX-...-SAC-OA-32-W

		Delivered Lumens			
Power	W	2700K	3000K	3500K	4000K
L	5.7	431	464	464	358
M	8.4	598	643	643	689
H	12	805	866	866	927
XH	17.8	1127	1213	1213	1299

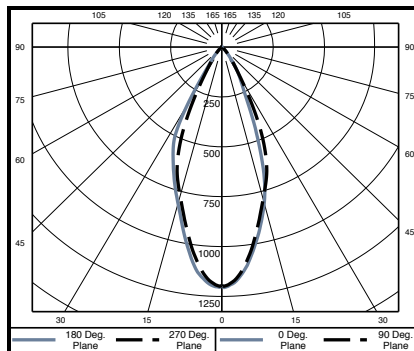


Cone of Light Tabulation*		
Mounting Height (Ft)	Footcandles at Nadir	Diameter (Ft)
4	74.7	2.6
6	33.2	4
8	18.7	5.3
10	12	6.6
12	8.3	7.9
14	6.1	9.3
16	4.7	10.6

*Tabulation uses Mid Power / 935 LED

WG-100SPTDLX-...-SAC-OA-41-W

		Delivered Lumens			
Power	W	2700K	3000K	3500K	4000K
L	5.7	441	474	474	366
M	8.4	611	658	658	705
H	12	823	886	886	948
XH	17.8	1153	1241	1241	1328



Cone of Light Tabulation*		
Mounting Height (Ft)	Footcandles at Nadir	Diameter (Ft)
4	74.7	2.6
6	33.2	4
8	18.7	5.3
10	12	6.6
12	8.3	7.9
14	6.1	9.3
16	4.7	10.6

*Tabulation uses Mid Power / 935 LED

Delivered Lumen Lens Multipliers

Open Aperture (OA)	1.00
Micro-prismatic Lens (MPL)	0.90
Satin Clear (RSC)	0.88