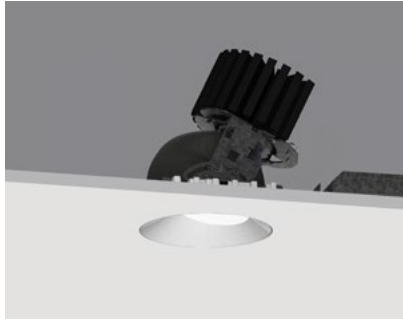


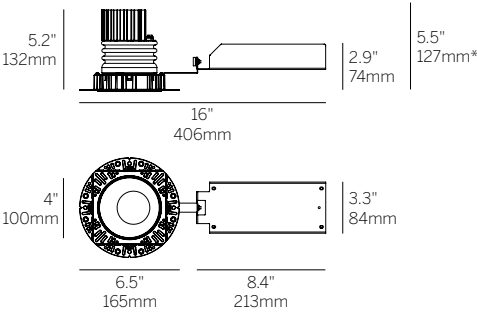
# 4" ProTools DLX Adjustable Round Asymmetric Cone



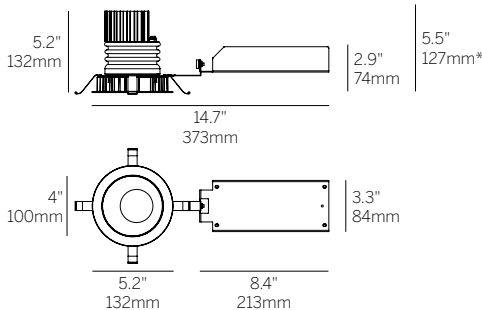
Recessed Plaster Trim



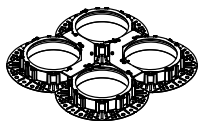
Recessed Bezel Trim



Recessed Plaster Trim (RPT)



Recessed Bezel Trim (RBT)



Multiple luminaire configurations for plaster trim. See Multiple Luminaire specsheet for details.

\*Minimum of 5.5" (127mm) ceiling void is required to install the integral driver from below the ceiling.

Cut Out: Ø 4.75" / 121mm

## Ordering Information

Model	Fixation	Power <sup>1,2</sup>	CRI/CCT <sup>4</sup>	Driver <sup>5</sup>	Cover	Lens	Beam	Finish <sup>6</sup>	Options <sup>8</sup>
WG-100RPTDLX					RAC				
WG-100RPTDLX	RPT RBT	L M H XH TW WD <sup>3</sup>	927 930 935 940 TW WD <sup>3</sup>	X S D010 PEQ0 DALI	RAC	OA MPL RSC	16 32 41	W S <sup>7</sup>	LP CP IC WL

### Luminaire

- 4" round adjustable downlight with 2" light aperture.
- Regressed aperture / lens position.
- No light leak or view into ceiling void from below due to a unique light leak hood.
- Luminaire and driver installed and maintained from below the ceiling.
- Tilt 45°, rotation 365°, 144 step.
- Multiple luminaire configurations for plaster trim. See Multiple Luminaire specsheet for details.

### Fixation

- RPT = Recessed Plaster Trim
- RBT = Recessed Bezel Trim

### Power<sup>1,2</sup>

- L = Low Power, 5.7W @ 350mA
- M = Mid Power, 8.4W @ 500mA
- H = High Power, 12W @ 700mA
- XH = Extra High Power, 17.8W @ 1050mA
- TW = 9W @ 500mA
- WD = 0.4 - 11.8W @ 350mA<sup>3</sup>

### CRI/CCT<sup>4</sup>

- 90+ CRI (Low/Mid/High/Extra High)
- 927 = 2700K, (501/695/936/1311 lm)
  - 930 = 3000K, (539/748/1007/1410 lm)
  - 935 = 3500K, (539/748/1007/1410 lm)
  - 940 = 4000K, (577/801/1078/1510 lm)
  - TW = Tunable White 1800 - 4000K, (610 - 1060 lm)
  - WD = Warm Dimming 1800 - 3000K, (31 - 1150 lm)<sup>3</sup>

### Driver<sup>5</sup>

- X = Remote driver, ordered separately
- S = Standard non-dim driver, 120-277V
- D010 = EdoLED, 1%, 0-10V Driver, 120-277V
- PEQ0 = Lutron Hi-lume Premier 0.1% EcoSystem, SoftOn/FadeToBlack, 120-277V
- DALI = EdoLED, 0.1%, DALI dimming (TW), 120-277V

### Cover

- RAC = Round Asymmetric Cone

### Lens

- OA = Open Aperture
- MPL = Micro-prismatic Lens
- RSC = Satin Clear

### Beam

- 16 = 16° Beam Angle
- 32 = 32° Beam Angle
- 41 = 41° Beam Angle

### Finish<sup>6</sup>

- W = White, 15% gloss, Tiger Drylac 49/11350 (standard)
- S = Silver, 15% gloss, Tiger Drylac 49/90500<sup>7</sup>

### Options<sup>8</sup>

ProTools downlights require no additional options kits for remodel & new construction

- LP = Landing Pan
- CP = Chicago Plenum Housing
- IC = IC/NC Housing
- WL = Wet Location (not available with open aperture)

### Optical Accessory Holder (Check up to 3 lenses and/or accessories below)

- HX = Hex Louver
- FG = Frosted Glass
- LS = Linear Spread Lens
- SOL = Solite Lens

<sup>1</sup> Other lumen packages available, consult factory.

<sup>2</sup> Wattage shown does not include power supplies/drivers. System wattage adds 10-20%.

<sup>3</sup> Available with PEQ0 driver only.

<sup>4</sup> Delivered lumen data shown for WG-100RPTDLX...-RAC-OA-16-W. Refer to page 2 for delivered lumen data for other product configurations. Source lumen data is shown for TW and WD options.

<sup>5</sup> See power supply page for details.

<sup>6</sup> See Tiger Drylac color chart: [inter-lux.com/tiger](http://inter-lux.com/tiger)

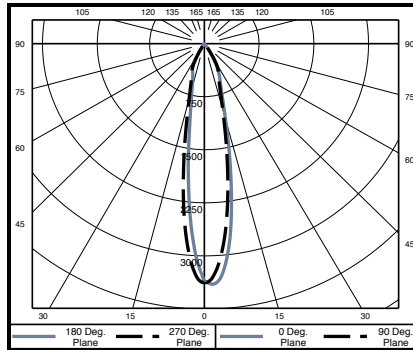
<sup>7</sup> Plaster trim version includes white frame and silver cover.

<sup>8</sup> To specify multiple options, select the appropriate grouped codes from the dropdown e.g. LP-WL.

# 4" ProTools DLX Adjustable Round Asymmetric Cone

## WG-100RPTDLA-...-RAC-OA-16-W

Power	W	Delivered Lumens			
		2700K	3000K	3500K	4000K
L	5.7	501	539	539	577
M	8.4	695	748	748	801
H	12	935	1007	1007	1078
XH	17.8	1311	1410	1410	1510



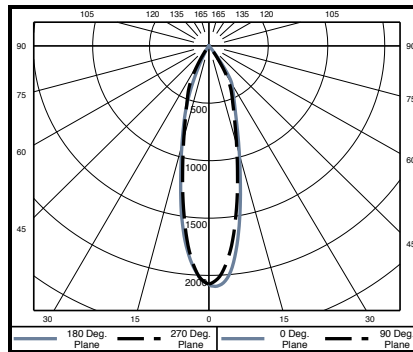
Polar Plot

Cone of Light Tabulation*		
Mounting Height (Ft)	Footcandles at Nadir	Diameter (Ft)
4	211	1.4
6	93.7	2.1
8	52.7	2.8
10	33.7	3.5
12	23.4	4.2
14	17.2	4.8
16	13.2	5.5

\*Tabulation uses Mid Power / 935 LED

## WG-100RPTDLA-...-RAC-OA-32-W

Power	W	Delivered Lumens			
		2700K	3000K	3500K	4000K
L	5.7	459	494	494	529
M	8.4	637	685	685	733
H	12	857	922	922	987
XH	17.8	1200	1292	1292	1383



Polar Plot

Cone of Light Tabulation*		
Mounting Height (Ft)	Footcandles at Nadir	Diameter (Ft)
4	130	1.8
6	57.6	2.7
8	32.4	3.6
10	20.7	4.5
12	14.4	5.4
14	10.6	6.3
16	8.1	7.2

\*Tabulation uses Mid Power / 935 LED

## WG-100RPTDLA-...-RAC-OA-41-W

Power	W	Delivered Lumens			
		2700K	3000K	3500K	4000K
L	5.7	432	465	465	497
M	8.4	599	645	645	690
H	12	806	868	868	929
XH	17.8	1129	1215	1215	1301

### Delivered Lumen Lens Multipliers

Open Aperture (OA)	1.00
Micro-prismatic Lens (MPL)	0.90
Satin Clear (RSC)	0.88