

4" ProTools DLX Adjustable Round Asymmetric Cone

Asymmetric Cover For Minimum Beam Clipping
With Wider Angle Optics And Higher Angle Focusing

- 4" round downlight with 2" light aperture.
- Regressed aperture / lens position provides good glare control.
- Beam Angle: Various
- Open aperture, clear lens or optical accessory lenses.
- No light leak or view into ceiling void from below due to a unique light leak hood.
- Luminaire and driver installed and maintained from below the ceiling.
- Mounts in 1/16" to 1" surface.
- Tunable White and Warm Dim.
- Modular interchangeability throughout the entire ProTools range of products.
- Tilt 35°, Rotation 365°, 144 step.
- Wet Location option as standard (WL).

Housing Die-cast aluminum for precision fit and heat dissipation
Mounting hardware for all ceiling types; trim and trimless
EZ clip mounting for secure installation
Snap-in cover
Trimless housing with Quick-Snap feature allows endless multiple combinations without specialized housings

Covers Round asymmetric cone with minimal ceiling interruption

LED 90+ CRI
Low/Mid/High/Extra High output choices
2700K, 3000K, 3500K, 4000K
Tunable White from 1800K - 4000K
Warm Dim from 1800 - 3000K

Beam 16, 32 and 41 degree beam spreads

Driver Integral and remote drivers for all dimming and non-dimming applications
Through-wire integral driver enclosure installed from below without the need for bulky housing
POE driver compatibility

Installation Not required when using the Driver Enclosure

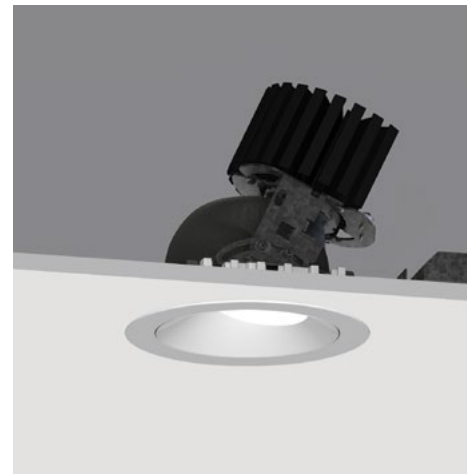
Housing Optional: IC and Chicago plenum
Optional: new construction (with j-box and driver attached)
Optional: Landing pan for use with Driver Enclosure to locate cut-out locations

Warranty 5-year Limited (see complete company warranty information)

Certifications ETL and ETL-C for dry and damp location, CE, Wet Location rated



Recessed Plaster Trim



Recessed Bezel Trim

4" ProTools DLX Adjustable Round Asymmetric Cone

Model	Fixation	Power ^{1,2}	CRI/ CCT ⁴	Driver ⁵	Cover	Lens	Beam	Finish ⁶	Options
WG-100RPTDLX	RPT RBT	L M H XH TW WD ³	927 930 935 940 TW WD ³	X S D010 PEQO TW	RAC	OA MPL RSC	16 32 41	W S ⁷	LP CP IC WL

Model

- WG-100SPTDLX = 4" ProTools DLX Adjustable

Fixation

- RPT = Recessed Plaster Trim
- RBT = Recessed Bezel Trim

Power^{1,2}

- L = Low Power, 5.7W @ 350mA
- M = Mid Power, 8.4W @ 500mA
- H = High Power, 12W @ 700mA
- XH = Extra High Power, 17.8W @ 1050mA
- TW = 9W @ 500mA
- WD = 0.4 - 11.8W @ 350mA³

CRI/CCT⁴

- 90+ CRI (Low/Mid/High/Extra High)
- 927 = 2700K, (501/695/936/1311 lm)
 - 930 = 3000K, (539/748/1007/1410 lm)
 - 935 = 3500K, (539/748/1007/1410 lm)
 - 940 = 4000K, (577/801/1078/1510 lm)
 - TW = Tunable White 1800 - 4000K, (610 - 1060 lm)
 - WD = Warm Dimming 1800 - 3000K, (31 - 1150 lm)³

Driver⁵

- X = Remote driver, ordered separately
- S = Standard non-dim driver, 120-277V
- D010 = EldoLED, 1%, 0-10V Driver, 120-277V
- PEQO = Lutron Hi-lume Premier 0.1% EcoSystem, SoftOn/FadeToBlack, 120-277V
- TW = EldoLED, 0.1%, DALI dimming (TW), 120-277V

Cover

- RAC = Round Asymmetric Cone

Lens

- OA = Open Aperture
- MPL = Micro-prismatic Lens
- RSC = Satin Clear

Beam

- 16 = 16° Beam Angle
- 32 = 32° Beam Angle
- 41 = 41° Beam Angle

Finish⁶

- W = White, 15% gloss, Tiger Drylac 49/11350 (standard)
- S = Silver, 15% gloss, Tiger Drylac49/90500⁷

Options

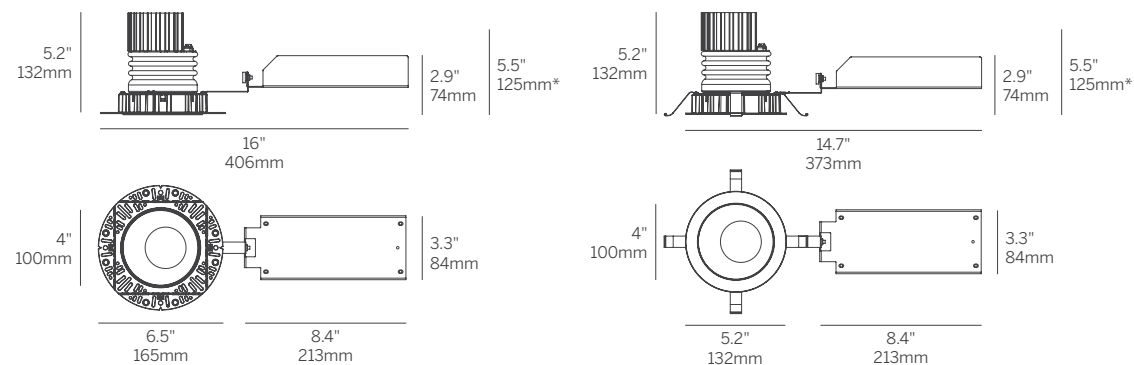
ProTools downlights require no additional options kits for remodel & new construction

- LP = Landing Pan (specify for Acoustic Ceiling Tile installation)
- CP = Chicago Plenum Housing
- IC = IC/NC Housing
- WL = Wet Location (not available with open aperture)

Optical Accessory Holder

Up to 3 lenses and/or accessories can be added to the Optical Accessory Holder

- HX = Hex Louver
- FG = Frosted Glass
- LS = Linear Spread Lens
- SOL = Solite Lens



*Minimum of 5.5" (127mm) ceiling void is required to install the integral driver from below the ceiling.

technical information

Whitegoods reserves the right to change any information without prior notice.

Notes

- 1 Other lumen packages available, consult factory.
- 2 Wattage shown does not include power supplies/drivers. System wattage adds 10-20%.
- 3 Delivered lumen data shown for WG-100RPTDLX-...-RAC-OA-16-W. Refer to page 2 of specsheet for delivered lumen data for other product configurations. Source lumen data shown for TW and WD options.
- 4 See power supply page for details.
- 5 See Tiger Drylac color chart: inter-lux.com/tiger
- 5 Plaster trim version includes white frame and gray cover.