

# 4" ProTools DL Wall Wash

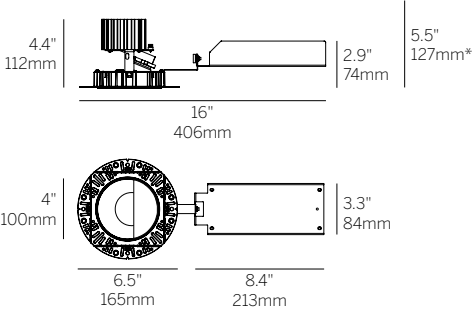
## Round Wall Wash



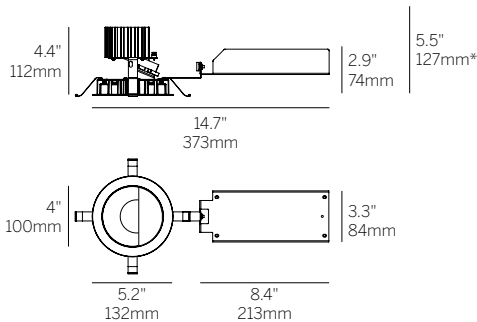
Recessed Plaster Trim



Recessed Bezel Trim



Recessed Plaster Trim (RPT)



Recessed Bezel Trim (RBT)

\*Minimum of 5.5" (127mm) ceiling void is required to install the integral driver from below the ceiling.

Cut Out: Ø 4.75" / 121mm

### Ordering Information

Model	Fixation	Power <sup>1,2</sup>	CRI/ CCT <sup>4</sup>	Driver <sup>5</sup>	Cover	Lens	Finish <sup>6</sup>	Options <sup>8</sup>
WG-100RPTDLWW					RWW	WWL		
WG-100RPTDLWW	RPT RBT	L M H XH TW WD <sup>3</sup>	927 930 935 940 TW WD <sup>3</sup>	X S D010 PEQO DALI	RWW	WWL	W S <sup>7</sup>	LP CP IC WL TC

### Luminaire

- 4" round downlight with 2" light aperture.
- 0.7" regressed aperture / lens providing asymmetric beam distribution optimized for even illumination of vertical surfaces.
- High-angle illumination.
- Luminaire and driver installed and maintained from below the ceiling.
- Modular interchangeability throughout the entire ProTools range of products.

### Fixation

- RPT = Recessed Plaster Trim
- RBT = Recessed Bezel Trim

### Power<sup>1,2</sup>

- L = Low Power, 5.7W @ 350mA
- M = Mid Power, 8.4W @ 500mA
- H = High Power, 12W @ 700mA
- XH = Extra High Power, 17.8W @ 1050mA
- TW = 9W @ 500mA
- WD = 0.4 - 11.8W @ 350mA<sup>3</sup>

### CRI/CCT<sup>4</sup>

- 90+ CRI (Low/Mid/High/Extra High)
- 927 = 2700K, (267/371/499/699 lm)
  - 930 = 3000K, (288/399/537/752 lm)
  - 935 = 3500K, (288/399/537/752 lm)
  - 940 = 4000K, (308/427/575/806 lm)
  - TW = Tunable White 1800 - 4000K, (610 - 1060 lm)
  - WD = Warm Dimming 1800 - 3000K, (31 - 1150 lm)<sup>3</sup>

### Driver<sup>5</sup>

- X = Remote driver, ordered separately
- S = Standard non-dim driver, 120-277V
- D010 = EldoLED, 1%, 0-10V Driver, 120-277V
- PEQO = Lutron Hi-lume Premier 0.1% EcoSystem, 120-277V
- DALI = EldoLED, 0.1%, DALI dimming (TW), 120-277V

### Cover

- RWW = Round Wall Wash

### Lens

- WWL = Wall Wash Spread Lens

### Finish<sup>6</sup>

- W = White, 15% gloss, Tiger Drylac 49/11350 (standard)
- S = Silver, 15% gloss, Tiger Drylac 49/90500<sup>7</sup>

### Options<sup>8</sup>

ProTools downlights require no additional options kits for remodel & new construction

- LP = Landing Pan
- CP = Chicago Plenum Housing
- IC = IC/NC Housing
- WL = Wet Location
- TC = Thicker ceiling clip for 1" - 3" ceilings (1/16" to 1" standard ceilings without TC)

<sup>1</sup> Other lumen packages available, consult factory.

<sup>2</sup> Wattage shown does not include power supplies/drivers. System wattage adds 10-20%.

<sup>3</sup> Available with PEQO driver only.

<sup>4</sup> Delivered lumen data shown for WG-100RPTDLWW-...-RWW-WWL-W. See Page 2 for additional details.

<sup>5</sup> See power supply page for details.

<sup>6</sup> See Tiger Drylac color chart: [inter-lux.com/tiger](http://inter-lux.com/tiger)

<sup>7</sup> Plaster trim version includes white frame and silver cover.

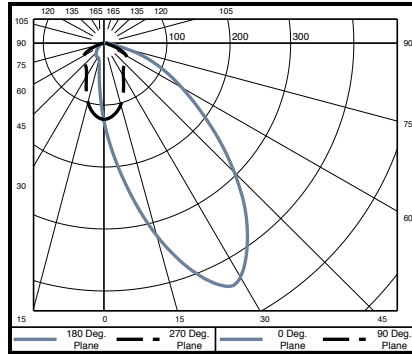
<sup>8</sup> To specify multiple options, select the appropriate grouped codes from the dropdown e.g. LP-WL.

# 4" ProTools DL Wall Wash

## Round Wall Wash

WG-100RPTDLWW-RWW-WWL-W

Power	W	Delivered Lumens			
		2700K	3000K	3500K	4000K
L	5.7	267	288	288	308
M	8.4	371	399	399	427
H	12	499	537	537	575
XH	17.8	699	725	725	806



Polar Plot