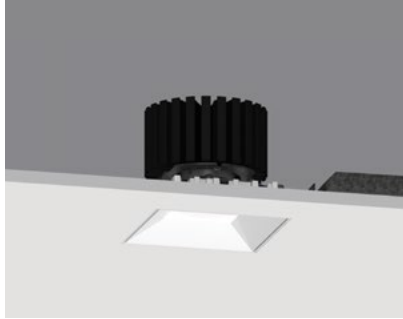


4" ProTools DL Downlight

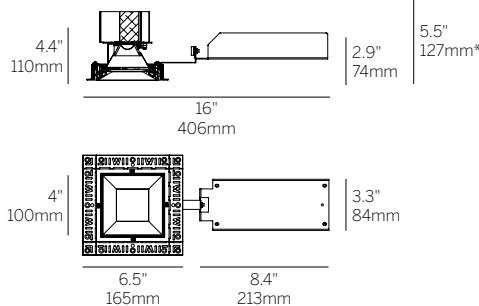
Square Recessed Cone



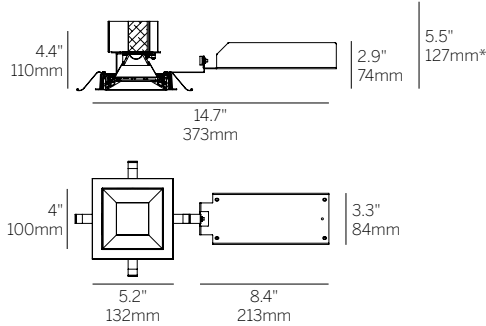
Recessed Plaster Trim



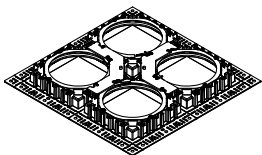
Recessed Bezel Trim



Recessed Plaster Trim (RPT)



Recessed Bezel Trim (RBT)



Multiple luminaire configurations for plaster trim. See Multiple Luminaire specsheet for details.

*Minimum of 5.5" (127mm) ceiling void is required to install the integral driver from below the ceiling.

Cut Out: \square 4.75" / 121mm

Ordering Information

Model	Fixation	Power ^{1,2}	CRI/CCT ⁴	Driver ⁵	Cover	Lens	Beam	Finish ⁶	Options ⁸
WG-100SPTDLF					SRC				
WG-100SPTDLF	RPT RBT	L M H XH TW WD ³	927 930 935 940 TW WD ³	X S D010 PEQ0 DALI	SRC	OA MPL RSC	16 32 41 65	W S ⁷	LP CP IC WL TC

Luminaire

- 4" square downlight with 2" light aperture.
- 0.7" regressed aperture / lens position.
- 55 degree cut-off.
- Luminaire and driver installed and maintained from below the ceiling.
- Modular interchangeability throughout the entire ProTools range of products.
- Multiple luminaire configurations for plaster trim. See Multiple Luminaire specsheet for details.

Fixation

- RPT = Recessed Plaster Trim
- RBT = Recessed Bezel Trim

Power^{1,2}

- L = Low Power, 5.7W @ 350mA
- M = Mid Power, 8.4W @ 500mA
- H = High Power, 12W @ 700mA
- XH = Extra High Power, 17.8W @ 1050mA
- TW = 9W @ 500mA
- WD = 0.4 - 11.8W @ 350mA³

CRI/CCT⁴

- 90+ CRI (Low/Mid/High/Extra High)
- 927 = 2700K, (552/766/1031/1445 lm)
 - 930 = 3000K, (594/824/1110/1555 lm)
 - 935 = 3500K, (594/824/1110/1555 lm)
 - 940 = 4000K, (636/883/1188/1664 lm)
 - TW = Tunable White 1800 - 4000K, (610 - 1060 lm)
 - WD = Warm Dimming 1800 - 3000K, (31 - 1150 lm)³

Driver⁵

- X = Remote driver, ordered separately
- S = Standard non-dim driver, 120-277V
- D010 = EldoLED, 1%, 0-10V Driver, 120-277V
- PEQ0 = Lutron Hi-lume Premier 0.1% EcoSystem, SoftOn/FadeToBlack, 120-277V
- DALI = EldoLED, 0.1%, DALI dimming (TW), 120-277V

Cover

- SRC = Square Recessed Cone

Lens

- OA = Open Aperture
- MPL = Micro-prismatic Lens
- RSC = Satin Clear

Beam

- 16 = 16° Beam Angle
- 32 = 32° Beam Angle
- 41 = 41° Beam Angle
- 65 = 65° Beam Angle

Finish⁶

- W = White, 15% gloss, Tiger Drylac 49/11350 (standard)
- S = Silver, 15% gloss, Tiger Drylac 49/90500⁷

Options⁸

ProTools downlights require no additional options kits for remodel & new construction

- LP = Landing Pan
- CP = Chicago Plenum Housing
- IC = IC/NC Housing
- WL = Wet Location (not available with open aperture)
- TC = Thicker ceiling clip for 1" - 3" ceilings (1/16" to 1" standard ceilings without TC)

¹ Other lumen packages available, consult factory.

² Wattage shown does not include power supplies/drivers. System wattage adds 10-20%.

³ Available with PEQ0 driver only.

⁴ Delivered lumen data shown from WG-100RPTDLF-...-SRC-OA-16-W. Refer to page 2 for delivered lumen data for other product configurations.

⁵ See power supply page for details.

⁶ See Tiger Drylac color chart: inter-lux.com/tiger

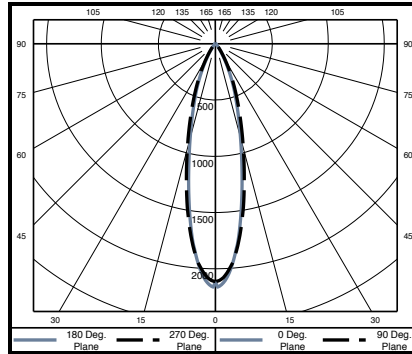
⁷ Plaster trim version includes white frame and silver cover.

⁸ To specify multiple options, select the appropriate grouped codes from the dropdown e.g. LP-WL.

4" ProTools DL Downlight Square Recessed Cone

WG-100SPTDLF-SRC-OA-16-W

Power	W	Delivered Lumens			
		2700K	3000K	3500K	4000K
L	5.7	552	594	594	663
M	8.4	766	824	824	883
H	12	1031	1110	1110	1188
XH	17.8	1445	1555	1555	1664



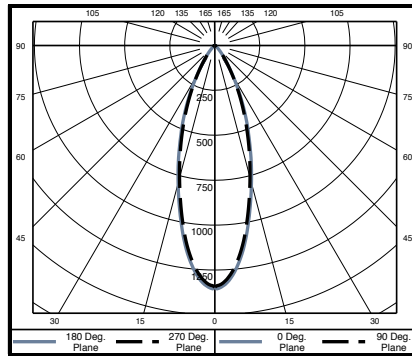
Polar Plot

Cone of Light Tabulation*		
Mounting Height (Ft)	Footcandles at Nadir	Diameter (Ft)
4	132	1.8
6	58.7	2.8
8	33	3.7
10	21.1	4.6
12	14.7	5.5
14	10.8	6.4
16	8.3	7.4

*Tabulation uses Mid Power / 935 LED

WG-100SPTDLF-SRC-OA-32-W

Power	W	Delivered Lumens			
		2700K	3000K	3500K	4000K
L	5.7	485	521	521	558
M	8.4	672	723	723	774
H	12	905	974	974	1042
XH	17.8	1267	1364	1364	1460



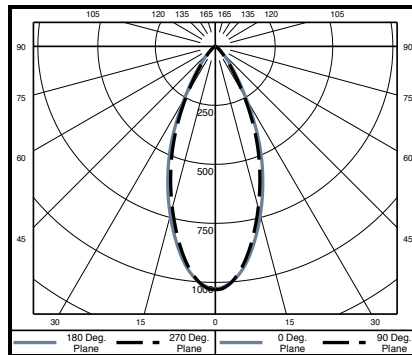
Polar Plot

Cone of Light Tabulation*		
Mounting Height (Ft)	Footcandles at Nadir	Diameter (Ft)
4	84.1	2.2
6	37.4	3.4
8	21	4.5
10	13.5	5.6
12	9.3	6.7
14	6.9	7.8
16	5.3	9

*Tabulation uses Mid Power / 935 LED

WG-100SPTDLF-SRC-OA-41-W

Power	W	Delivered Lumens			
		2700K	3000K	3500K	4000K
L	5.7	494	531	531	569
M	8.4	685	737	737	789
H	12	921	992	992	1062
XH	17.8	1291	1389	1389	1487



Polar Plot

Cone of Light Tabulation*		
Mounting Height (Ft)	Footcandles at Nadir	Diameter (Ft)
4	64.2	2.8
6	28.5	4.1
8	16.1	5.5
10	10.3	6.9
12	7.1	8.3
14	5.2	9.6
16	4	11

*Tabulation uses Mid Power / 935 LED

Delivered Lumen Lens Multipliers

Open Aperture (OA)	1.00
Micro-prismatic Lens (MPL)	0.90
Satin Clear (RSC)	0.88