

# 4" ProTools DL Downlight

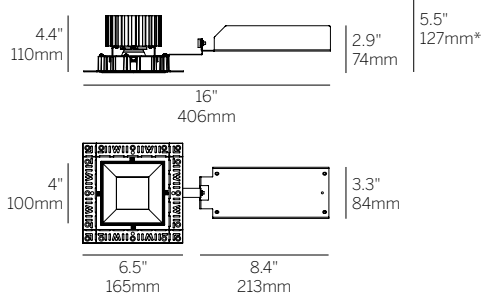
## Square Recessed Cone



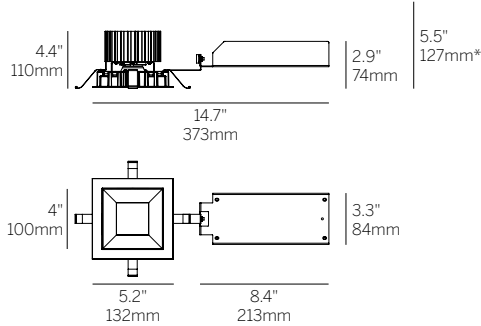
Recessed Plaster Trim



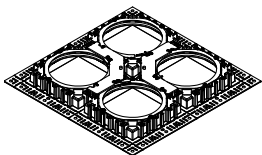
Recessed Bezel Trim



Recessed Plaster Trim (RPT)



Recessed Bezel Trim (RBT)



Multiple luminaire configurations for plaster trim. See Multiple Luminaire specsheet for details.

\*Minimum of 5.5" (127mm) ceiling void is required to install the integral driver from below the ceiling.

Cut Out:  $\varnothing$ 4.75" / 121mm

### Ordering Information

Model	Fixation	Power <sup>1,2</sup>	CRI/CCT <sup>4</sup>	Driver <sup>5</sup>	Cover	Lens	Beam	Finish <sup>6</sup>	Options <sup>8</sup>
WG-100SPTDLF					SRC				
WG-100SPTDLF	RPT RBT	L M H XH TW WD <sup>3</sup>	927 930 935 940 TW WD <sup>3</sup>	X S D010 PEQ0 DFPN TW	SRC	OA MPL RSC	16 32 41 65	W S <sup>7</sup>	LP CP IC WL TC

### Luminaire

- 4" square downlight with 2" light aperture.
- 0.7" regressed aperture / lens position.
- 55 degree cut-off.
- Luminaire and driver installed and maintained from below the ceiling.
- Modular interchangeability throughout the entire ProTools range of products.
- Multiple luminaire configurations for plaster trim. See Multiple Luminaire specsheet for details.

### Fixation

- RPT = Recessed Plaster Trim
- RBT = Recessed Bezel Trim

### Power<sup>1,2</sup>

- L = Low Power, 5.7W @ 350mA
- M = Mid Power, 8.4W @ 500mA
- H = High Power, 12W @ 700mA
- XH = Extra High Power, 17.8W @ 1050mA
- TW = 9W @ 500mA
- WD = 0.4 - 11.8W @ 350mA<sup>3</sup>

### CRI/CCT<sup>4</sup>

- 90+ CRI (Low/Mid/High/Extra High)
- 927 = 2700K, (552/766/1031/1445 lm)
  - 930 = 3000K, (594/824/1110/1555 lm)
  - 935 = 3500K, (594/824/1110/1555 lm)
  - 940 = 4000K, (636/883/1188/1664 lm)
  - TW = Tunable White 1800 - 4000K, (610 - 1060 lm)
  - WD = Warm Dimming 1800 - 3000K, (31 - 1150 lm)<sup>3</sup>

### Driver<sup>5</sup>

- X = Remote driver, ordered separately
- S = Standard non-dim driver, 120-277V
- D010 = EldoLED, 1%, 0-10V Driver, 120-277V
- PEQ0 = Lutron Hi-lume Premier 0.1% EcoSystem, 120-277V
- DFPN = Lutron Forward Phase 1% 120VAC
- TW = EldoLED, 0.1%, DALI dimming (TW), 120-277V

### Cover

- SRC = Square Recessed Cone

### Lens

- OA = Open Aperture
- MPL = Micro-prismatic Lens
- RSC = Satin Clear

### Beam

- 16 = 16° Beam Angle
- 32 = 32° Beam Angle
- 41 = 41° Beam Angle
- 65 = 65° Beam Angle

### Finish<sup>6</sup>

- W = White, 15% gloss, Tiger Drylac 49/11350 (standard)
- S = Silver, 15% gloss, Tiger Drylac 49/90500<sup>7</sup>

### Options<sup>8</sup>

ProTools downlights require no additional options kits for remodel & new construction

- LP = Landing Pan
- CP = Chicago Plenum Housing
- IC = IC/NC Housing
- WL = Wet Location (not available with open aperture)
- TC = Thicker ceiling clip for 1" - 3" ceilings (1/16" to 1" standard ceilings without TC)

<sup>1</sup> Other lumen packages available, consult factory.

<sup>2</sup> Wattage shown does not include power supplies/drivers. System wattage adds 10-20%.

<sup>3</sup> Available with PEQ0 and DFPN drivers only.

<sup>4</sup> Delivered lumen data shown from WG-100RPTDLF...-SRC-OA-16-W. Refer to page 2 for delivered lumen data for other product configurations.

<sup>5</sup> See power supply page for details.

<sup>6</sup> See Tiger Drylac color chart: [inter-lux.com/tiger](http://inter-lux.com/tiger)

<sup>7</sup> Plaster trim version includes white frame and silver cover.

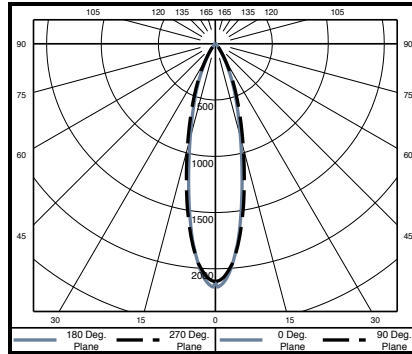
<sup>8</sup> To specify multiple options, select the appropriate grouped codes from the dropdown e.g. LP-WL.

# 4" ProTools DL Downlight Square Recessed Cone



## WG-100SPTDLF-SRC-OA-16-W

Power	W	Delivered Lumens			
		2700K	3000K	3500K	4000K
L	5.7	552	594	594	663
M	8.4	766	824	824	883
H	12	1031	1110	1110	1188
XH	17.8	1445	1555	1555	1664



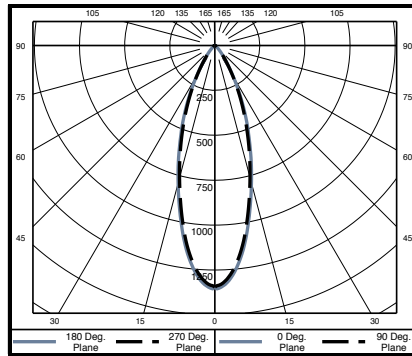
Polar Plot

Cone of Light Tabulation*		
Mounting Height (Ft)	Footcandles at Nadir	Diameter (Ft)
4	132	1.8
6	58.7	2.8
8	33	3.7
10	21.1	4.6
12	14.7	5.5
14	10.8	6.4
16	8.3	7.4

\*Tabulation uses Mid Power / 935 LED

## WG-100SPTDLF-SRC-OA-32-W

Power	W	Delivered Lumens			
		2700K	3000K	3500K	4000K
L	5.7	485	521	521	558
M	8.4	672	723	723	774
H	12	905	974	974	1042
XH	17.8	1267	1364	1364	1460



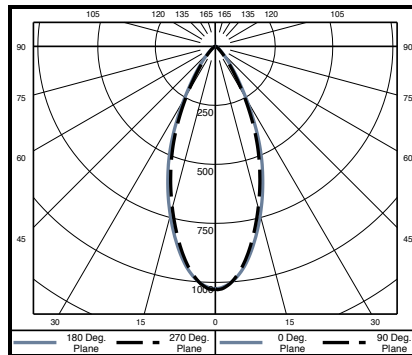
Polar Plot

Cone of Light Tabulation*		
Mounting Height (Ft)	Footcandles at Nadir	Diameter (Ft)
4	84.1	2.2
6	37.4	3.4
8	21	4.5
10	13.5	5.6
12	9.3	6.7
14	6.9	7.8
16	5.3	9

\*Tabulation uses Mid Power / 935 LED

## WG-100SPTDLF-SRC-OA-41-W

Power	W	Delivered Lumens			
		2700K	3000K	3500K	4000K
L	5.7	494	531	531	569
M	8.4	685	737	737	789
H	12	921	992	992	1062
XH	17.8	1291	1389	1389	1487



Polar Plot

Cone of Light Tabulation*		
Mounting Height (Ft)	Footcandles at Nadir	Diameter (Ft)
4	64.2	2.8
6	28.5	4.1
8	16.1	5.5
10	10.3	6.9
12	7.1	8.3
14	5.2	9.6
16	4	11

\*Tabulation uses Mid Power / 935 LED

### Delivered Lumen Lens Multipliers

Open Aperture (OA)	1.00
Micro-prismatic Lens (MPL)	0.90
Satin Clear (RSC)	0.88