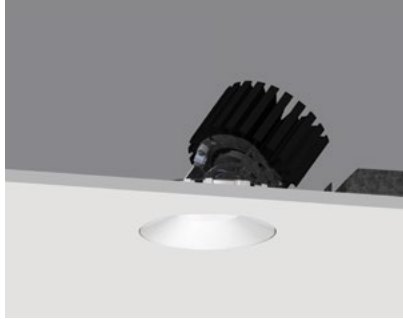
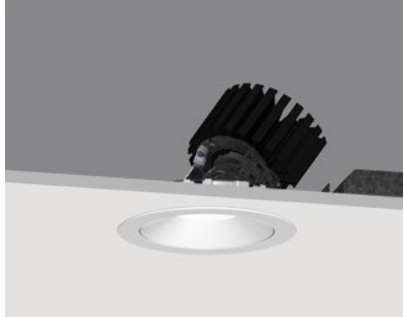


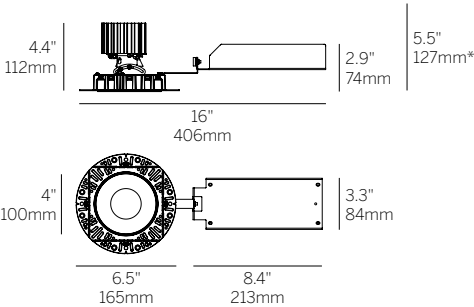
4" ProTools DL Adjustable Round Recessed Cone



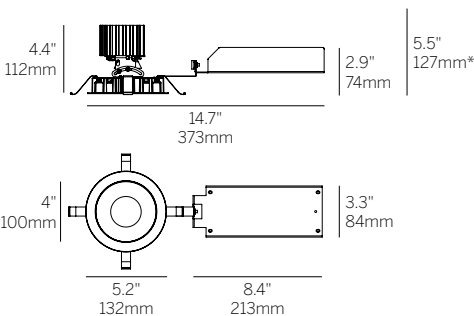
Recessed Plaster Trim



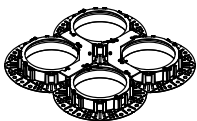
Recessed Bezel Trim



Recessed Plaster Trim (RPT)



Recessed Bezel Trim (RBT)



Multiple luminaire configurations for plaster trim. See Multiple Luminaire specsheet for details.

*Minimum of 5.5" (127mm) ceiling void is required to install the integral driver from below the ceiling.

Cut Out: Ø 4.75" / 121mm

Ordering Information

Model	Fixation	Power ^{1,2}	CRI/CCT ⁴	Driver ⁵	Cover	Lens	Beam	Finish ⁶	Options ⁸
WG-100RPTDLA					RRC				
WG-100RPTDLA	RPT RBT	L M H XH TW WD ³	927 930 935 940 TW WD ³	X S DO10 PEQ0 DALI	RRC	OA MPL RSC	16 32 41	W S ⁷	LP CP IC WL

Luminaire

- 4" round adjustable downlight with 2" light aperture.
- 0.7" regressed aperture / lens position.
- 35 degree cut-off.
- Main beam always aligned with center of the aperture. Aim Stick available.
- Luminaire and driver installed and maintained from below the ceiling.
- Modular interchangeability throughout the entire ProTools range of products.
- Tilt 40°, rotation 365°, 144 step.
- Multiple luminaire configurations for plaster trim. See Multiple Luminaire specsheet for details.

Fixation

- RPT = Recessed Plaster Trim
- RBT = Recessed Bezel Trim

Power^{1,2}

- L = Low Power, 5.7W @ 350mA
- M = Mid Power, 8.4W @ 500mA
- H = High Power, 12W @ 700mA
- XH = Extra High Power, 17.8W @ 1050mA
- TW = 9W @ 500mA
- WD = 0.4 - 11.8W @ 350mA³

CRI/CCT⁴

- 90+ CRI (Low/Mid/High/Extra High)
- 927 = 2700K, (492/683/919/1287 lm)
 - 930 = 3000K, (529/734/989/1385 lm)
 - 935 = 3500K, (529/734/989/1385 lm)
 - 940 = 4000K, (567/786/1058/1483 lm)
 - TW = Tunable White 1800 - 4000K, (610 - 1060 lm)
 - WD = Warm Dimming 1800 - 3000K, (31 - 1150 lm)³

Driver⁵

- X = Remote driver, ordered separately
- S = Standard non-dim driver, 120-277V
- DO10 = EldoLED, 1%, 0-10V Driver, 120-277V
- PEQ0 = Lutron Hi-lume Premier 0.1% EcoSystem, SoftOn/FadeToBlack, 120-277V
- DALI = EldoLED, 0.1%, DALI dimming (TW), 120-277V

Cover

- RRC = Round Recessed Cone

Lens

- OA = Open Aperture
- MPL = Micro-prismatic Lens
- RSC = Satin Clear

Beam

- 16 = 16° Beam Angle
- 32 = 32° Beam Angle
- 41 = 41° Beam Angle

Finish⁶

- W = White, 15% gloss, Tiger Drylac 49/11350 (standard)
- S = Silver, 15% gloss, Tiger Drylac 49/90500⁷

Options⁸

- ProTools downlights require no additional options kits for remodel & new construction
- LP = Landing Pan
 - CP = Chicago Plenum Housing
 - IC = IC/NC Housing
 - WL = Wet Location (not available with open aperture)

¹ Other lumen packages available, consult factory.

² Wattage shown does not include power supplies/drivers. System wattage adds 10-20%.

³ Available with PEQ0 driver only.

⁴ Delivered lumen data shown for WG-100RPTDLA-...-RRC-OA-16-W. Refer to page 2 for delivered lumen data for other product configurations. Source lumen data is shown for TW and WD options.

⁵ See power supply page for details.

⁶ See Tiger Drylac color chart: inter-lux.com/tiger

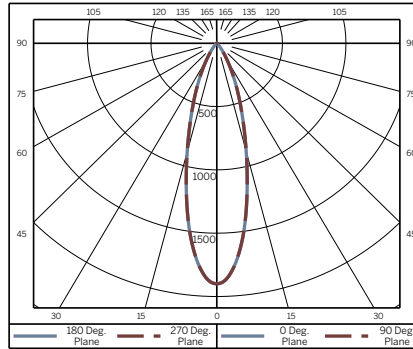
⁷ Plaster trim version includes white frame and silver cover.

⁸ To specify multiple options, select the appropriate grouped codes from the dropdown e.g. LP-WL.

4" ProTools DL Adjustable Round Recessed Cone

WG-100RPTDLA-...-RRC-OA-16-W

		Delivered Lumens			
Power	W	2700K	3000K	3500K	4000K
L	5.7	492	529	529	567
M	8.4	683	734	734	786
H	12	919	989	989	1058
XH	17.8	1287	1385	1385	1483



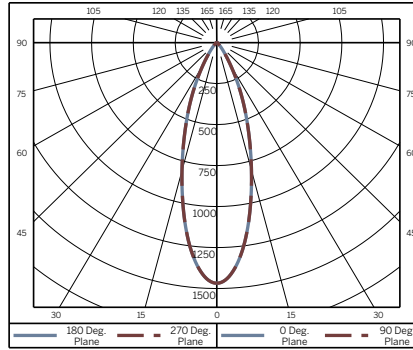
Polar Plot

Cone of Light Tabulation*		
Mounting Height (Ft)	Footcandles at Nadir	Diameter (Ft)
4	119	1.9
6	52.8	2.9
8	29.7	3.8
10	19	4.8
12	13.2	5.7
14	9.7	6.7
16	7.4	7.7

*Tabulation uses Mid Power / 935 LED

WG-100RPTDLA-...-RRC-OA-32-W

		Delivered Lumens			
Power	W	2700K	3000K	3500K	4000K
L	5.7	454	489	489	523
M	8.4	630	678	678	726
H	12	848	912	912	977
XH	17.8	1188	1278	1278	1368



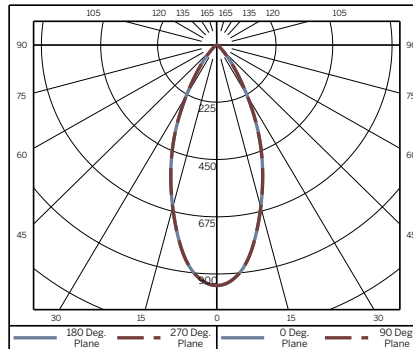
Polar Plot

Cone of Light Tabulation*		
Mounting Height (Ft)	Footcandles at Nadir	Diameter (Ft)
4	91.7	2.1
6	40.8	3.2
8	22.9	4.3
10	14.7	5.4
12	10.2	6.4
14	7.5	7.5
16	5.7	8.6

*Tabulation uses Mid Power / 935 LED

WG-100RPTDLA-...-RRC-OA-41-W

		Delivered Lumens			
Power	W	2700K	3000K	3500K	4000K
L	5.7	427	459	459	491
M	8.4	592	637	637	682
H	12	796	857	857	918
XH	17.8	1116	1200	1200	1285



Polar Plot

Cone of Light Tabulation*		
Mounting Height (Ft)	Footcandles at Nadir	Diameter (Ft)
4	59.1	2.7
6	26.3	4
8	14.8	5.4
10	9.5	6.7
12	6.6	8
14	4.8	9.4
16	3.7	10.7

*Tabulation uses Mid Power / 935 LED

Delivered Lumen Lens Multipliers

Open Aperture (OA)	1.00
Micro-prismatic Lens (MPL)	0.90
Satin Clear (RSC)	0.88