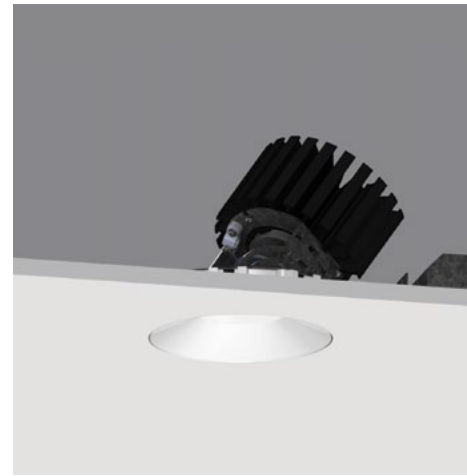


4" ProTools DL Adjustable Round Recessed Cone

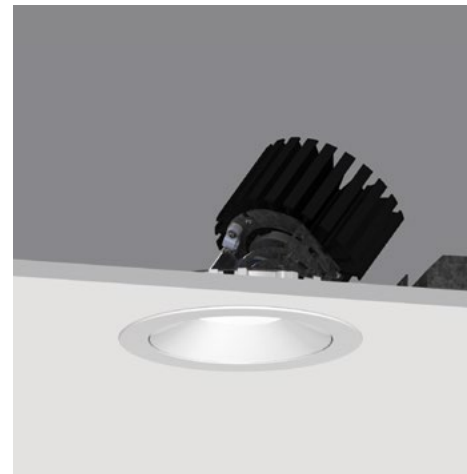
Multiple Beam Options With Pan And Tilt Adjustment From Regressed Source

- 4" round downlight with 2" light aperture.
- 0.7" regressed aperture / lens position provides good glare control.
- Beam Angle: Various, Cut Off: 35°.
- Open aperture, clear lens or high transmission diffuser.
- Luminaire and driver installed and maintained from below the ceiling.
- Mounts in 1/16" to 1" surface.
- Tunable White and Warm Dim.
- Modular interchangeability throughout the entire ProTools range of products.
- Tilt 40°, rotation 365°, 144 step.
- Wet Location as standard option (WL).

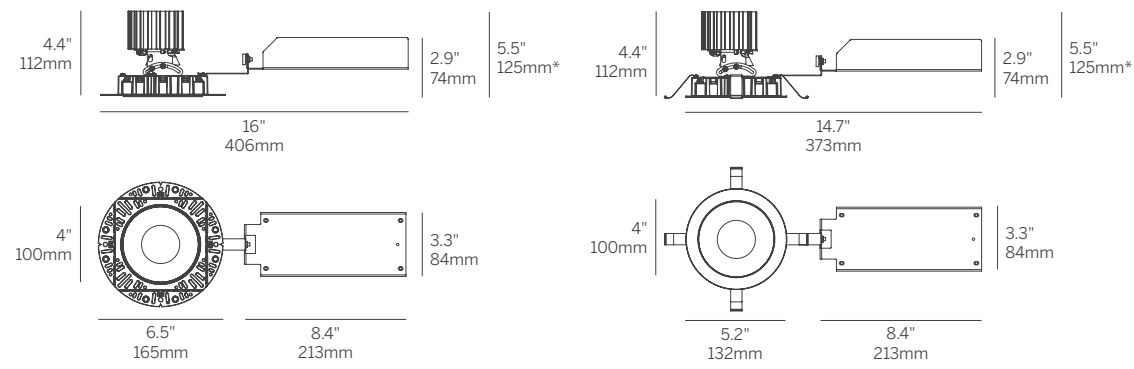
- Housing** Die-caste aluminum for precision fit and heat dissipation
Mounting hardware for all ceiling types; trim and trimless
EZ clip mounting for secure installation
Snap-in cover
Trimless housing with Quick-Snap feature allows endless multiple combinations without specialized housings
- Covers** Round recessed cone - low brightness, general illumination
- LED** 90+ CRI
Low/Mid/High/Extra High output choices
2700K, 3000K, 3500K, 4000K
Tunable White from 1800K - 4000K
Warm Dim from 1800 - 3000K
- Beam** 16, 32 and 41 degree beam spreads
- Driver** Integral and remote drivers for all dimming and non-dimming applications
Through-wire integral driver enclosure installed from below without the need for bulky housing
POE driver compatibility
- Installation** Not required when using the Driver Enclosure
- Housing** Optional: IC and Chicago plenum
Optional: new construction (with j-box and driver attached)
Optional: Landing pan for use with Driver Enclosure to locate cut-out locations
- Warranty** 5-year Limited (see complete company warranty information)
- Certifications** ETL and ETL-C for dry and damp location, CE, Wet Location rated



Recessed Plaster Trim



Recessed Bezel Trim



*Minimum of 5.5" (127mm) ceiling void is required to install the integral driver from below the ceiling.

technical information

4" ProTools DL Adjustable Round Recessed Cone

Model	Fixation	Power ^{1,2}	CRI/CCT ⁴	Driver ⁵	Cover	Lens	Beam	Finish ⁶	Options
WG-100SPTDLA	RPT RBT	L M H XH TW WD ³	927 930 935 940 TW WD ³	X S D010 PEQO TW	RRC	OA MPL RSC	16 32 41	W S ⁷	LP CP IC WL

- Model**
- WG-100SPTDLA = 4" ProTools DL Adjustable
- Fixation**
- RPT = Recessed Plaster Trim
 - RBT = Recessed Bezel Trim
- Power^{1,2}**
- L = Low Power, 5.7W @ 350mA
 - M = Mid Power, 8.4W @ 500mA
 - H = High Power, 12W @ 700mA
 - XH = Extra High Power, 17.8W @ 1050mA
 - TW = 9W @ 500mA
 - WD = 0.4 - 11.8W @ 350mA³
- CRI/CCT⁴**
- 90+ CRI (Low/Mid/High/Extra High)
- 927 = 2700K, (492/683/919/1287 lm)
 - 930 = 3000K, (529/734/989/1385 lm)
 - 935 = 3500K, (529/734/989/1385 lm)
 - 940 = 4000K, (567/786/1058/1483 lm)
 - TW = Tunable White 1800 - 4000K, (610 - 1060 lm)
 - WD = Warm Dimming 1800 - 3000K, (31 - 1150 lm)³
- Driver⁴**
- X = Remote driver, ordered separately
 - S = Standard non-dim driver, 120-277V
 - D010 = EldoLED, 1%, 0-10V Driver, 120-277V
 - PEQO = Lutron Hi-lume Premier 0.1% EcoSystem, SoftOn/FadeToBlack, 120-277V
 - TW = EldoLED, 0.1%, DALI dimming (TW), 120-277V
- Cover**
- RRC = Round Recessed Cone
- Lens**
- OA = Open Aperture
 - MPL = Micro-prismatic Lens
 - RSC = Satin Clear
- Beam**
- 16 = 16° Beam Angle
 - 32 = 32° Beam Angle
 - 41 = 41° Beam Angle
- Finish⁶**
- W = White, 15% gloss, Tiger Drylac 49/11350 (standard)
 - S = Silver, 15% gloss, Tiger Drylac49/90500⁷
- Options**
- ProTools downlights require no additional options kits for remodel & new construction
- LP = Landing Pan (specify for Acoustic Ceiling Tile installation)
 - CP = Chicago Plenum Housing
 - IC = IC/NC Housing
 - WL = Wet Location (not available with open aperture)

Whitegoods reserves the right to change any information without prior notice.

Notes

- 1 Other lumen packages available, consult factory.
- 2 Wattage shown does not include power supplies/drivers. System wattage adds 10-20%.
- 3 Delivered lumen data shown for WG-100RPTDLA-...-RRC-OA-16-W. See page 2 of specsheet for delivered lumen data for other product configurations.
- 4 See power supply page for details.
- 5 See Tiger Drylac color chart: inter-lux.com/tiger
- 6 Plaster trim version includes white frame and silver cover.