

## 4" ProTools D Downlight Square Recessed Cone

### Even Illumination From Regressed Lens

- 4" square aperture downlight with wide distribution ambient lighting.
- 0.7" regressed, evenly illuminated, highly efficient Satin Opal Diffuser providing good glare control.
- High efficiency, high transmission diffuser.
- Beam Angle: 110°
- Luminaire and driver installed and maintained from below the ceiling.
- Mounts in 1/16" to 1" surface.
- Modular interchangeability throughout the entire ProTools range of products.
- Wet Location as standard option (WL).

**Housing** Die-cast aluminum for precision fit and heat dissipation  
Mounting hardware for all ceiling types; trim and trimless  
EZ clip mounting for secure installation  
Snap-in cover  
Trimless housing with Quick-Snap feature allows endless multiple combinations without specialized housings

**Covers** Square aperture with minimal ceiling interruption and recessed lens

**LED** 90+ CRI  
Low/Mid/High output choices  
2700K, 3000K, 3500K, 4000K

**Beam** 110 degree beam spread

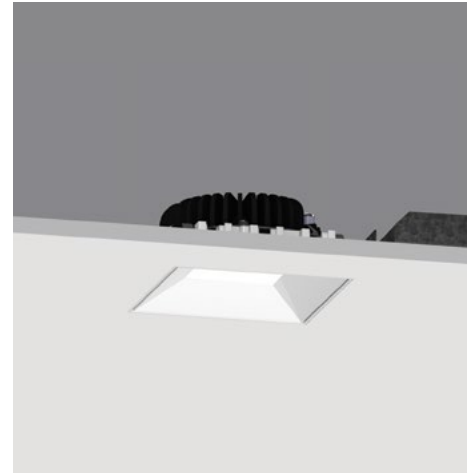
**Driver** Integral and remote drivers for all dimming and non-dimming applications  
Through-wire integral driver enclosure installed from below without the need for bulky housing  
POE driver compatibility

**Installation** Not required when using the Driver Enclosure

**Housing** Optional: IC and Chicago plenum  
Optional: new construction (with j-box and driver attached)  
Optional: Landing pan for use with Driver Enclosure to locate cut-out locations

**Warranty** 5-year Limited (see complete company warranty information)

**Certifications** ETL and ETL-C for dry and damp location, CE, Wet Location rated



Recessed Plaster Trim



Recessed Bezel Trim

## 4" ProTools D Downlight Square Recessed Cone

Model	Fixation	Power <sup>1,2</sup>	CRI/ CCT <sup>3</sup>	Driver <sup>4</sup>	Cover	Lens	Beam	Finish <sup>5</sup>	Options
WG-100SPTD	RPT RBT	L M H	927 930 935 940	X S D010 PEQ0	SRC	RSO	110	W S <sup>56</sup>	LP CP IC WL

### Model

- WG-100SPTD = 4" ProTools D Downlight

### Fixation

- RPT = Recessed Plaster Trim
- RBT = Recessed Bezel Trim

### Power<sup>1,2</sup>

- L = Low Power, 11W @ 350mA
- M = Mid Power, 15W @ 500mA
- H = High Power, 22.5W @ 700mA

### CRI/CCT<sup>3</sup>

- 927 = 2700K, (760/1060/1440 lm)
- 930 = 3000K, (781/1090/1481 lm)
- 935 = 3500K, (824/1149/1561 lm)
- 940 = 4000K, (868/1212/1646 lm)

### Driver<sup>4</sup>

- X = Remote driver, ordered separately
- S = Standard non-dim driver, 120-277V
- D010 = EldoLED, 1%, 0-10V Driver, 120-277V
- PEQ0 = Lutron Hi-lume Premier 0.1% EcoSystem, SoftOn/FadeToBlack, 120-277V (low and mid power only)

### Cover

- SRC = Square Recessed Cone

### Lens

- RSO = Satin Opal

### Beam

- 110 = 110° Beam Angle

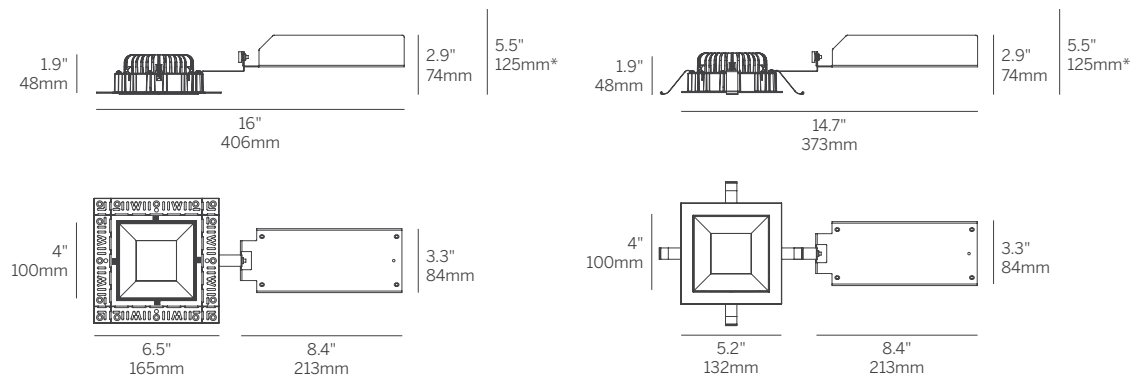
### Finish<sup>5</sup>

- W = White, 15% gloss, Tiger Drylac 49/11350 (standard)
- S = Silver, 15% gloss, Tiger Drylac49/90500<sup>6</sup>

### Options

ProTools downlights require no additional options kits for remodel & new construction

- LP = Landing Pan (specify for Acoustic Ceiling Tile installation)
- CP = Chicago Plenum Housing
- IC = IC/NC Housing
- WL = Wet Location



\*Minimum of 5.5" (127mm) ceiling void is required to install the integral driver from below the ceiling.

technical  
information

Whitegoods reserves the right to change any information without prior notice.

### Notes

- 1 Other lumen packages available, consult factory.
- 2 Wattage shown does not include power supplies/drivers. System wattage adds 10-20%.
- 3 Delivered lumens shown fro 100SPTD-...-SRC-RSO-110-W. See Page 2 of specsheet for additional details.
- 4 See power supply page for details.
- 5 See Tiger Drylac color chart: [inter-lux.com/tiger](http://inter-lux.com/tiger)
- 6 Plaster trim version includes white frame and silver cover.