

# 4" ProTools D Downlight Square Flush Diffuser

## High-Angle Distribution Ambient Lighting

- 4" aperture square downlight for wide distribution ambient lighting.
- High angle distribution giving good vertical illumination.
- High transmission, evenly illuminated Flush Satin Diffuser.
- Beam Angle: Lambertian
- Luminaire and driver installed and maintained from below the ceiling.
- Mounts in 1/16" to 1" surface.
- Modular interchangeability throughout the entire ProTools range of products.

**Housing** Die-cast aluminum for precision fit and heat dissipation  
Mounting hardware for all ceiling types; trim and trimless  
EZ clip mounting for secure installation  
Snap-in cover  
Trimless housing with Quick-Snap feature allows endless multiple combinations without specialized housings

**Covers** Square aperture with minimal ceiling interruption and flush lens

**LED** 90+ CRI  
Low/Mid/High output choices  
2700K, 3000K, 3500K, 4000K

**Beam** Lambertian

**Driver** Integral and remote drivers for all dimming and non-dimming applications  
Through-wire integral driver enclosure installed from below without the need for bulky housing  
POE driver compatibility

**Installation** Not required when using the Driver Enclosure

**Housing** Optional: IC and Chicago plenum  
Optional: new construction (with j-box and driver attached)  
Optional: Landing pan for use with Driver Enclosure to locate cut-out locations

**Warranty** 5-year Limited (see complete company warranty information)

**Certifications** ETL and ETL-C for dry and damp location, CE



Recessed Plaster Trim



Recessed Bezel Trim

# 4" ProTools D Downlight Square Flush Diffuser

Model	Fixation	Power <sup>1,2</sup>	CRI/ CCT <sup>3</sup>	Driver <sup>4</sup>	Lens	Beam	Finish <sup>5</sup>	Options
WG-100SPTD	RPT RBT	L M H	927 930 935 940	X S D010 PEQ0	FSOD	LAM	W S <sup>6</sup>	LP CP IC

## Model

- WG-100SPTD = 4" ProTools D Downlight

## Fixation

- RPT = Recessed Plaster Trim
- RBT = Recessed Bezel Trim

## Power<sup>1,2</sup>

- L = Low Power, 11W @ 350mA
- M = Mid Power, 15W @ 500mA
- H = High Power, 22.5W @ 700mA

## CRI/CCT<sup>3</sup>

- 90+ CRI (Low/Mid/High Power)
- 927 = 2700K, (850/1187/1612 lm)
- 930 = 3000K, (875/1220/1657 lm)
- 935 = 3500K, (922/1286/1747 lm)
- 940 = 4000K, (972/1356/1842 lm)

## Driver<sup>4</sup>

- X = Remote driver, ordered separately
- S = Standard non-dim driver, 120-277V
- D010 = EldoLED, 1%, 0-10V Driver, 120-277V
- PEQ0 = Lutron Hi-lume Premier 0.1% EcoSystem, SoftOn/FadeToBlack, 120-277V (low and mid power only)

## Lens

- FSOD = Flush Square Satin Opal Lens

## Beam

- LAM = Lambertian

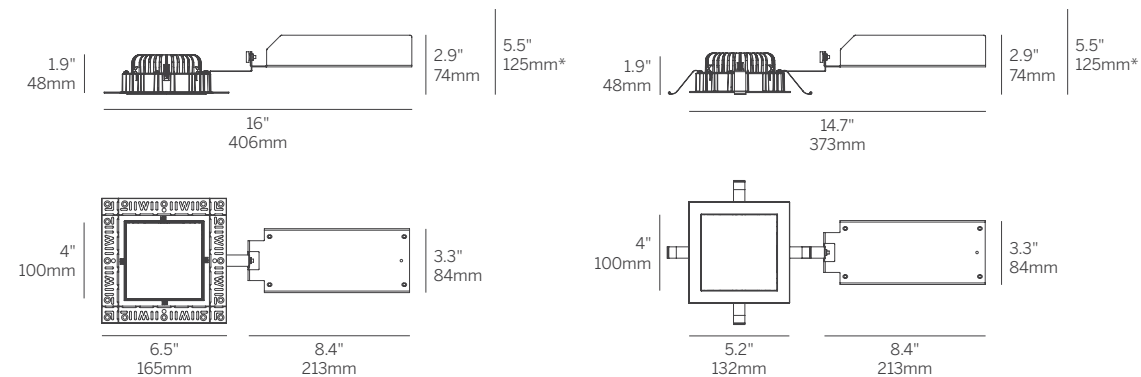
## Finish<sup>5</sup>

- W = White, 15% gloss, Tiger Drylac 49/11350 (standard)
- S = Silver, 15% gloss, Tiger Drylac49/90500<sup>6</sup>

## Options

ProTools downlights require no additional options kits for remodel & new construction

- LP = Landing Pan (specify for Acoustic Ceiling Tile installation)
- CP = Chicago Plenum Housing
- IC = IC/NC Housing



\*Minimum of 5.5" (127mm) ceiling void is required to install the integral driver from below the ceiling.

technical information

Whitegoods reserves the right to change any information without prior notice.

## Notes

- 1 Other lumen packages available, consult factory.
- 2 Wattage shown does not include power supplies/drivers. System wattage adds 10-20%.
- 3 Delivered lumens shown for WG-100SPTD-...-FSOD-LAM-W. See Page 2 of specsheet for additional details.
- 4 See power supply page for details.
- 5 See Tiger Drylac color chart: [inter-lux.com/tiger](http://inter-lux.com/tiger)
- 6 Plaster trim version includes white frame and silver cover.