

4" ProTools D Downlight

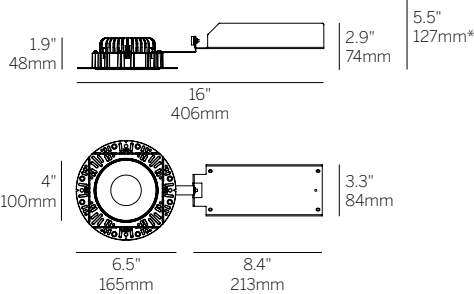
Round Regressed Pinhole



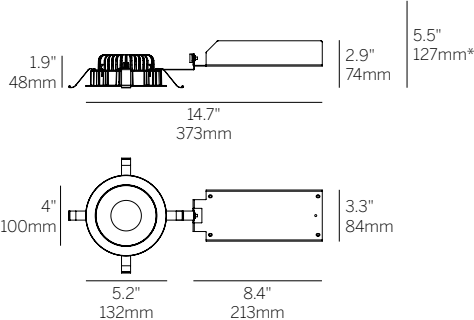
Recessed Plaster Trim



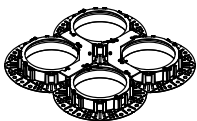
Recessed Bezel Trim



Recessed Plaster Trim (RPT)



Recessed Bezel Trim (RBT)



Multiple luminaire configurations for plaster trim. See Multiple Luminaire specsheet for details.

*Minimum of 5.5" (127mm) ceiling void is required to install the integral driver from below the ceiling.

Cut Out: Ø 4.75" / 121mm

Ordering Information

Model	Fixation	Power ^{1,2}	CRI/CCT ³	Driver ⁴	Cover	Lens	Beam	Finish ⁵	Options
WG-100RPTD					RRP	RSO	110		
WG-100RPTD	RPT RBT	L M H	927 930 935 940	X S D010 PEQ0 DFPN	RRP	RSO	110	W S ⁶	LP CP IC TC

Luminaire

- 4" round aperture downlight with wide distribution ambient lighting.
- 0.7" regressed, evenly illuminated, highly efficient Satin Opal Lens.
- High efficiency, high transmission lens.
- Luminaire and driver installed and maintained from below the ceiling.
- Modular interchangeability throughout the entire ProTools range of products.
- Multiple luminaire configurations for plaster trim. See Multiple Luminaire specsheet for details.

Fixation

- RPT = Recessed Plaster Trim
- RBT = Recessed Bezel Trim

Power^{1,2}

- L = Low Power, 11W @ 350mA
- M = Mid Power, 15W @ 500mA
- H = High Power, 22.5W @ 700mA

CRI/CCT³

- 90+ CRI (Low/Mid/High Power)
- 927 = 2700K, (657/916/1245 lm)
 - 930 = 3000K, (675/942/1280 lm)
 - 935 = 3500K, (712/993/1349 lm)
 - 940 = 4000K, (751/1047/1423 lm)

Driver⁴

- X = Remote driver, ordered separately
- S = Standard non-dim driver, 120-277V
- D010 = EldoLED, 1%, 0-10V Driver, 120-277V
- PEQ0 = Lutron Hi-lume Premier 0.1% EcoSystem, 120-277V (low and mid power only)
- DFPN = Lutron Forward Phase 1% 120VAC

Cover

- RRP = Round Regressed Pinhole

Lens

- RSO = Satin Opal

Beam

- 110 = 110° Beam Angle

Finish⁵

- W = White, 15% gloss, Tiger Drylac 49/11350 (standard)
- S = Silver, 15% gloss, Tiger Drylac 49/90500⁶

Options

ProTools downlights require no additional options kits for remodel & new construction

- LP = Landing Pan
- CP = Chicago Plenum Housing
- IC = IC/NC Housing
- TC = Thicker ceiling clip for 1" - 3" ceilings (1/16" to 1" standard ceilings without TC)

¹ Other lumen packages available, consult factory.

² Wattage shown does not include power supplies/drivers. System wattage adds 10-20%.

³ Delivered lumens shown for 100RPTD...RRP-RSO-110-W. See Page 2 for additional details..

⁴ See power supply page for details.

⁵ See Tiger Drylac color chart: inter-lux.com/tiger

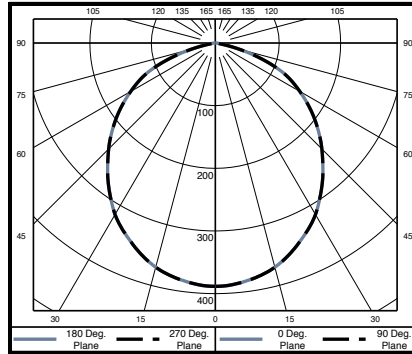
⁶ Plaster trim version includes white frame and silver cover.

4" ProTools D Downlight

Round Regressed Pinhole

WG-100RPTD-RRP-RSO-110-W

Power	W	Delivered Lumens			
		2700K	3000K	3500K	4000K
L	11	657	675	712	751
M	15	916	942	993	1047
H	22.5	1245	1280	1349	1423



Polar Plot

Cone of Light Tabulation*		
Mounting Height (Ft)	Footcandles at Nadir	Diameter (Ft)
4	24.3	4.8
6	10.8	7.3
8	6.1	9.7
10	3.9	12.1
12	2.7	14.5
14	2	16.9
16	1.5	19.4

*Tabulation uses Mid Power / 935 LED